



DOGFIGHT
WORKSHOP

DODGE WC54

U.S. Military $\frac{3}{4}$ Ton Truck

scale 1/48

Full 3D printed

1/48 Military Miniature Series No.: 48A04

Overall Length 103mm

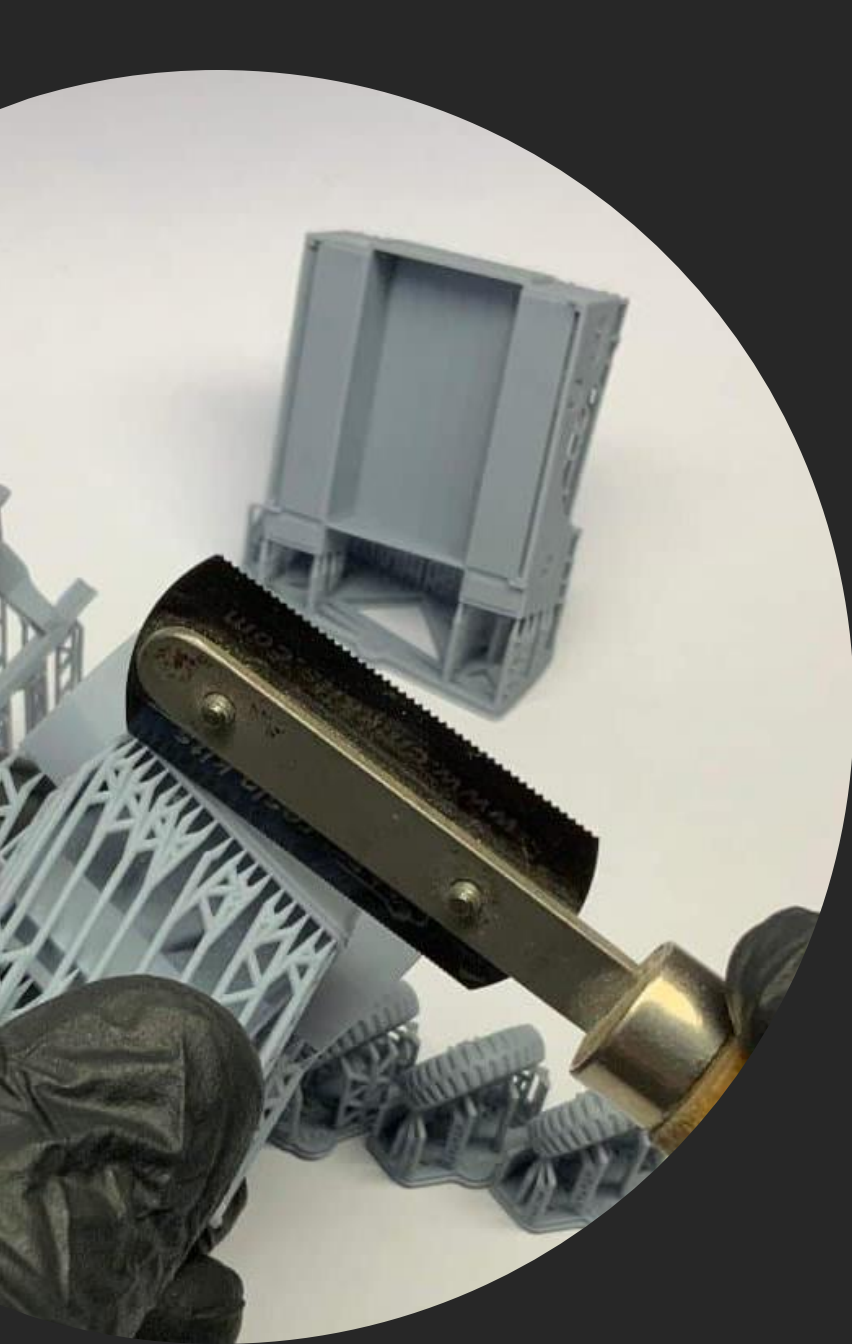


DOGFIGHT
WORKSHOP

Thank you for choosing our product.
Our models are made in 3D
printing technology from
photopolymer resins.

Below are some steps, tips
and tricks on how to prepare
our product for building.

Happy Modelling !



A few tips and tricks in the preparation of our models

- 1 - *Cutting off printing supports ...*
 - *modelling knife*
 - *modelling cutter*
 - *modelling saw*



- 2 - Grinding and sanding ...
- modelling grinding wool
 - modelling sponge
 - modelling file

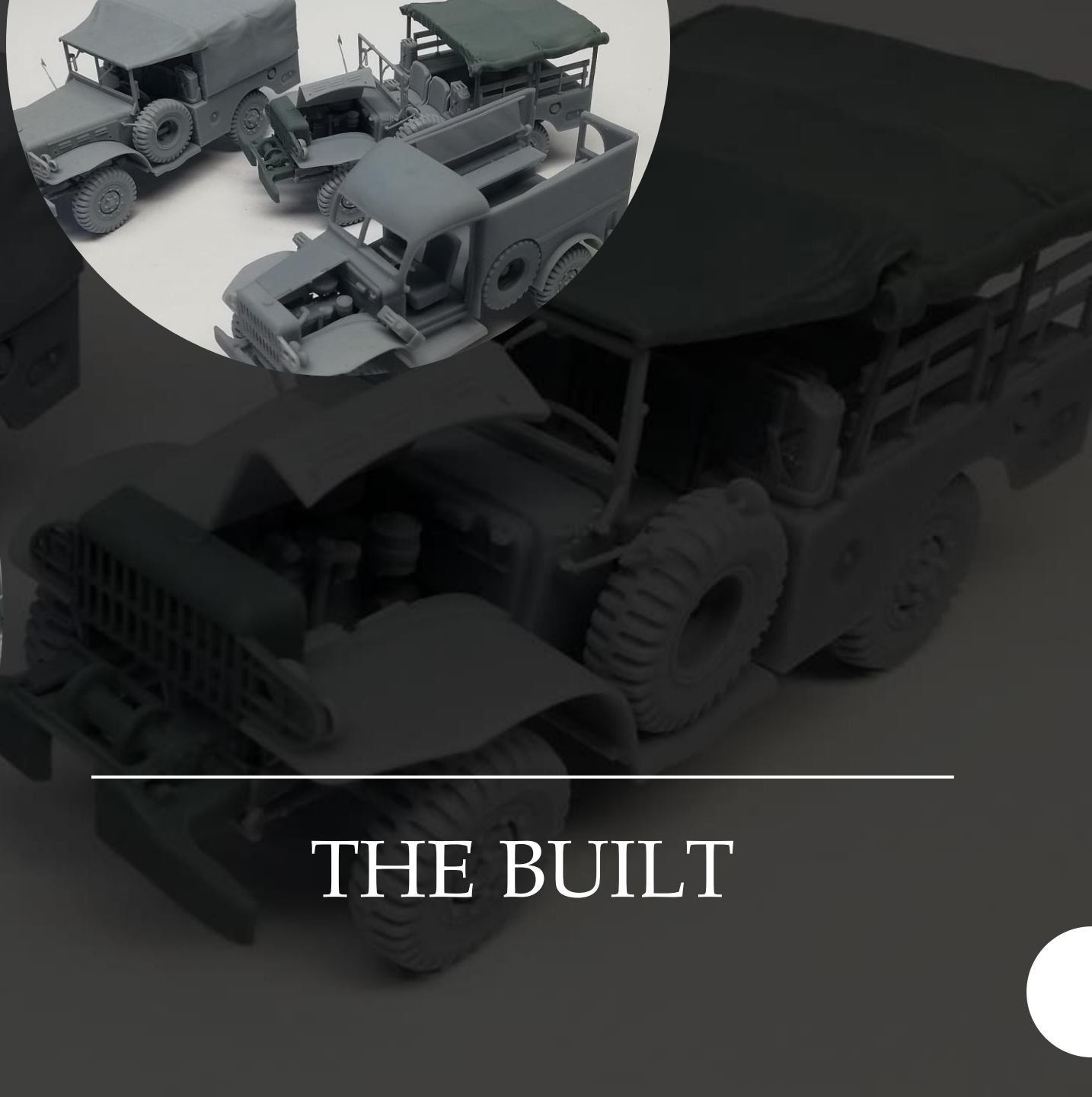
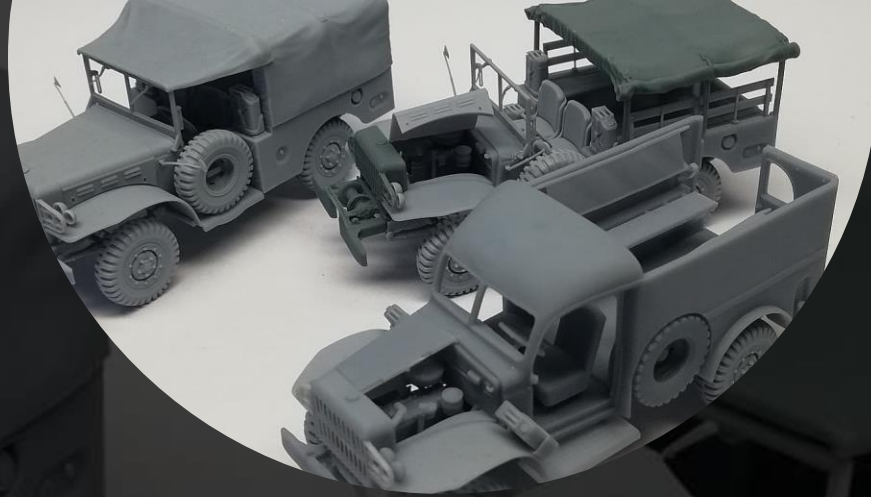
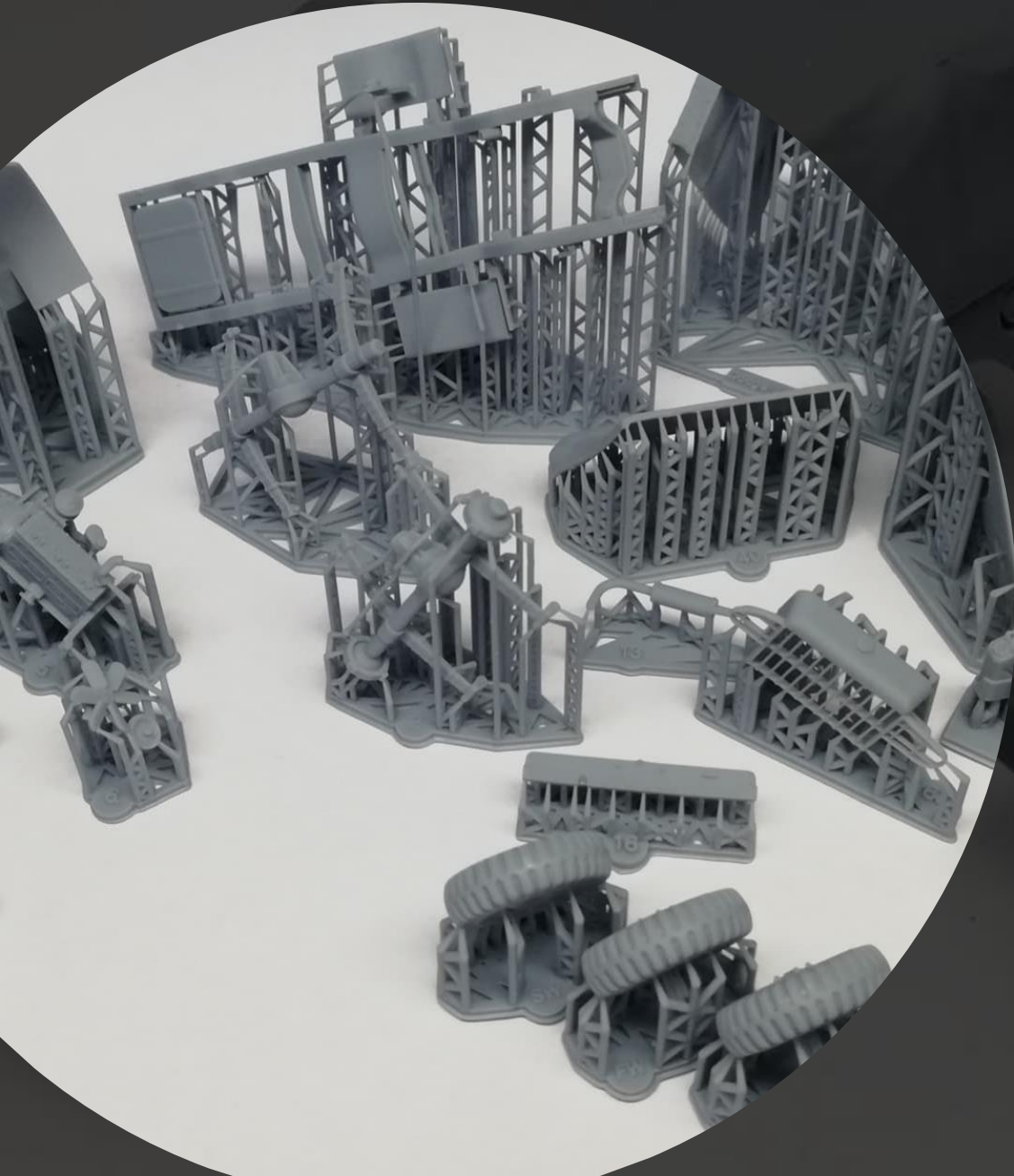


3 - Built and paint ...

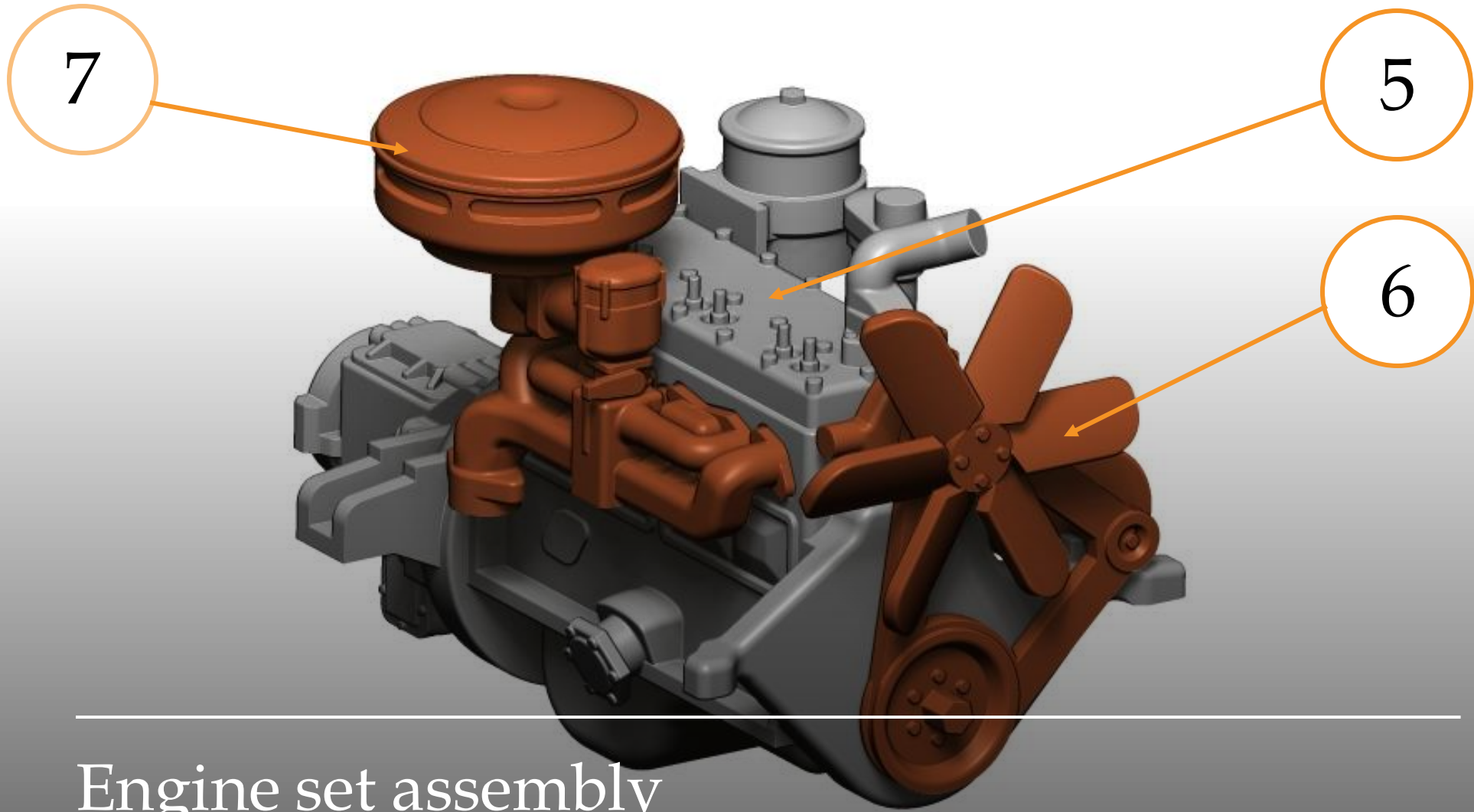
- quick CA glue
- epoxy adhesive
- white glue for clear parts

4 - Priming ...

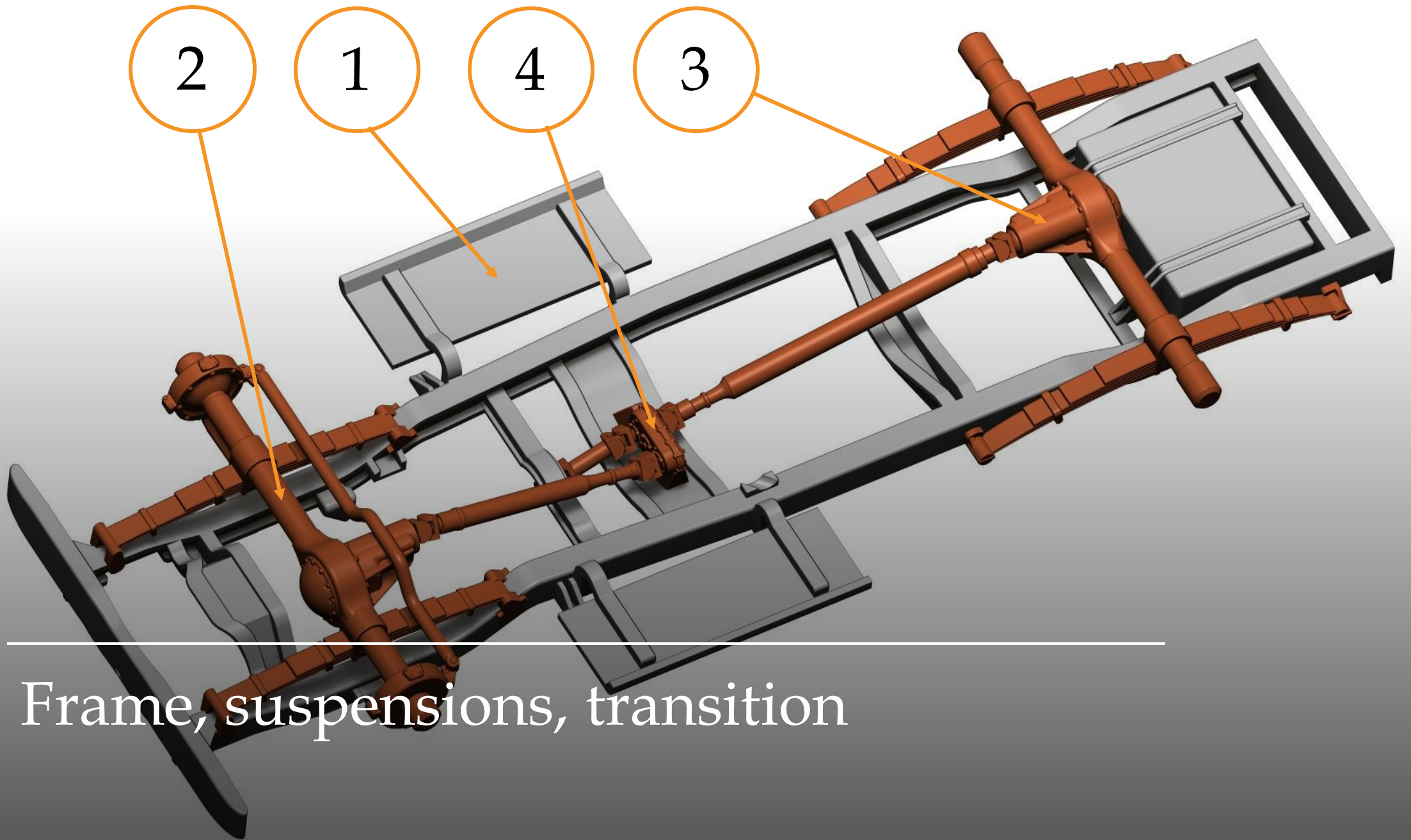
- Surfacer 1200, 1500 for airbrush
- Surface Primer L Fine Spray



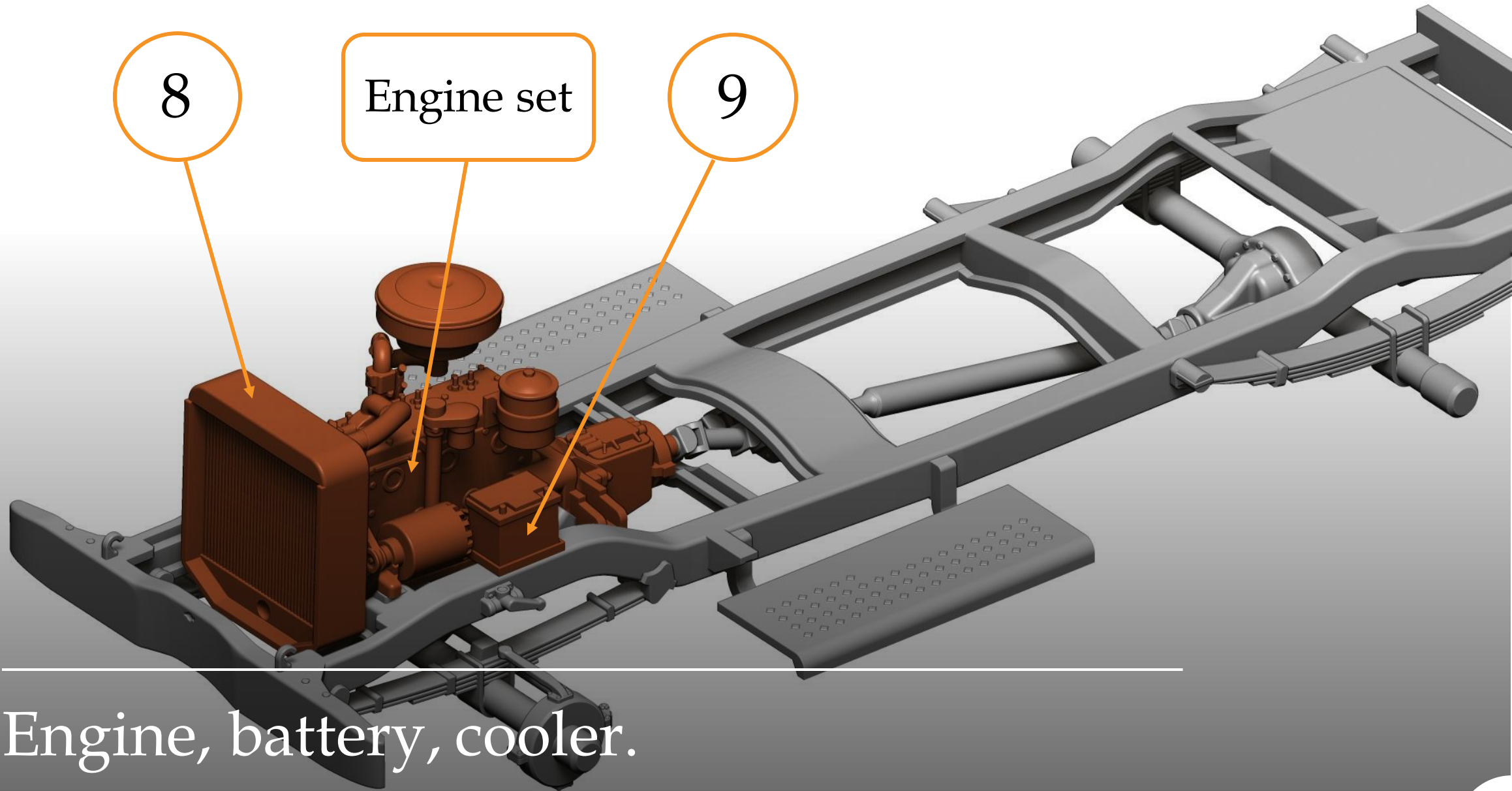
THE BUILT



Engine set assembly



Frame, suspensions, transition

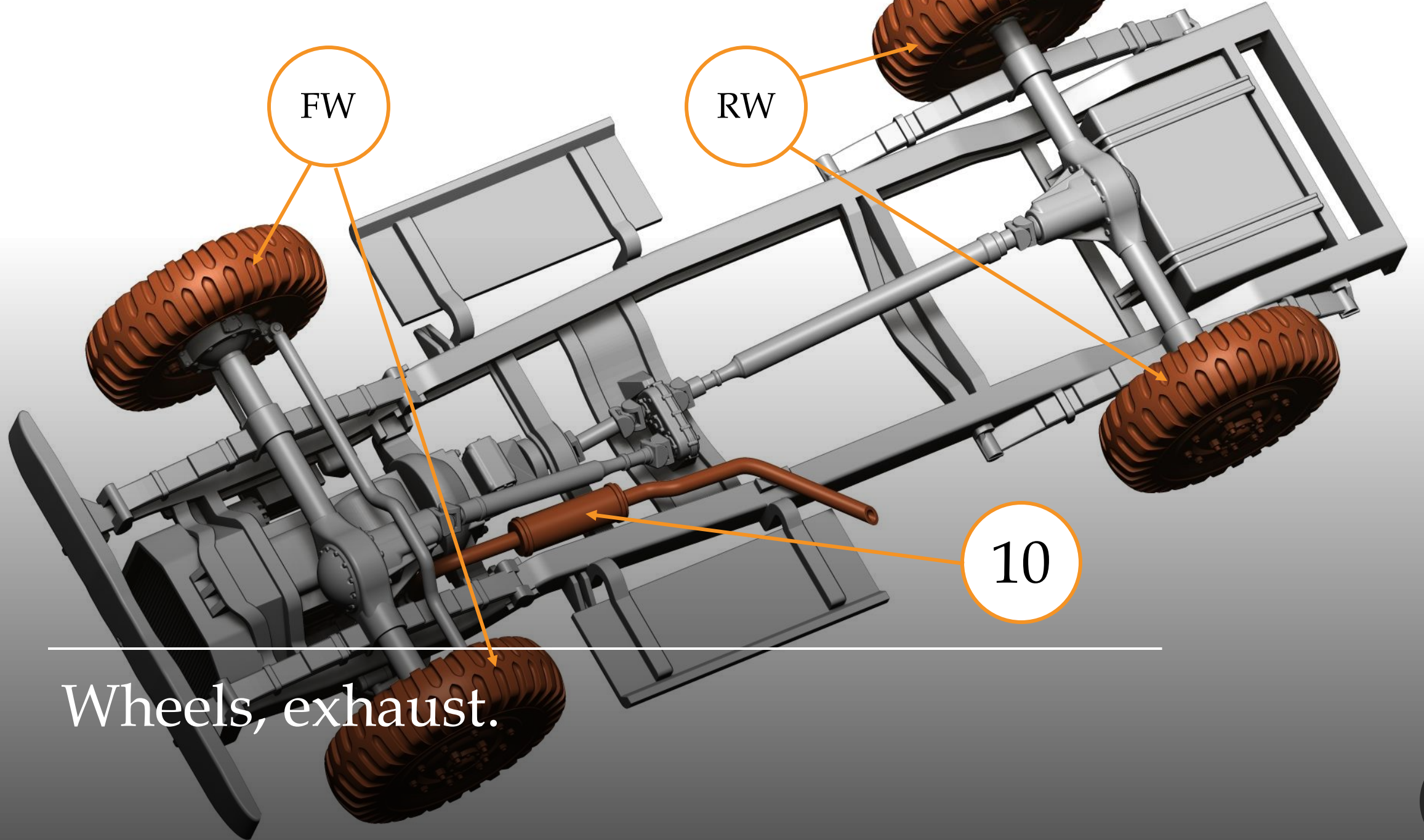


8

Engine set

9

Engine, battery, cooler.

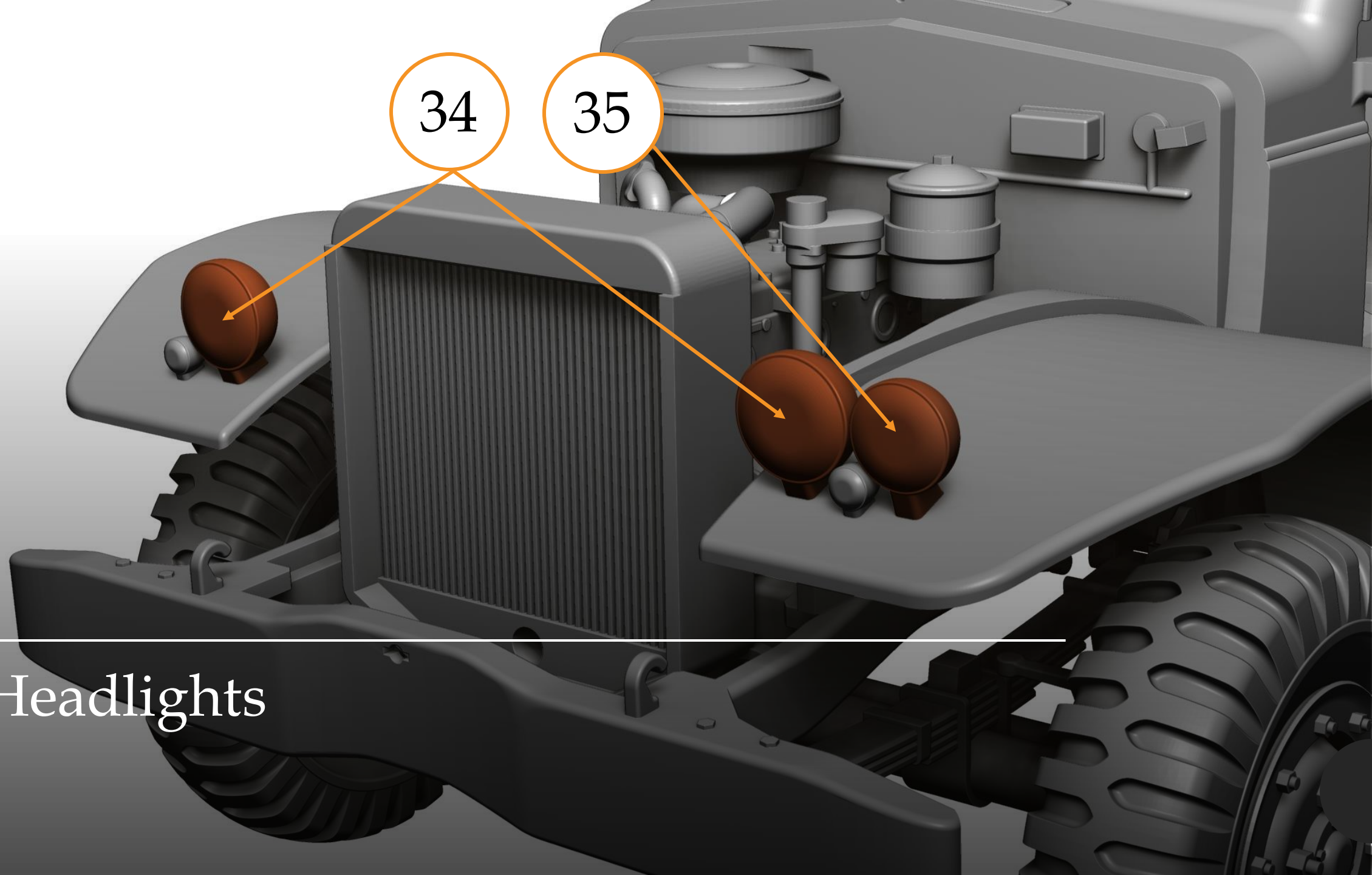


FW

RW

10

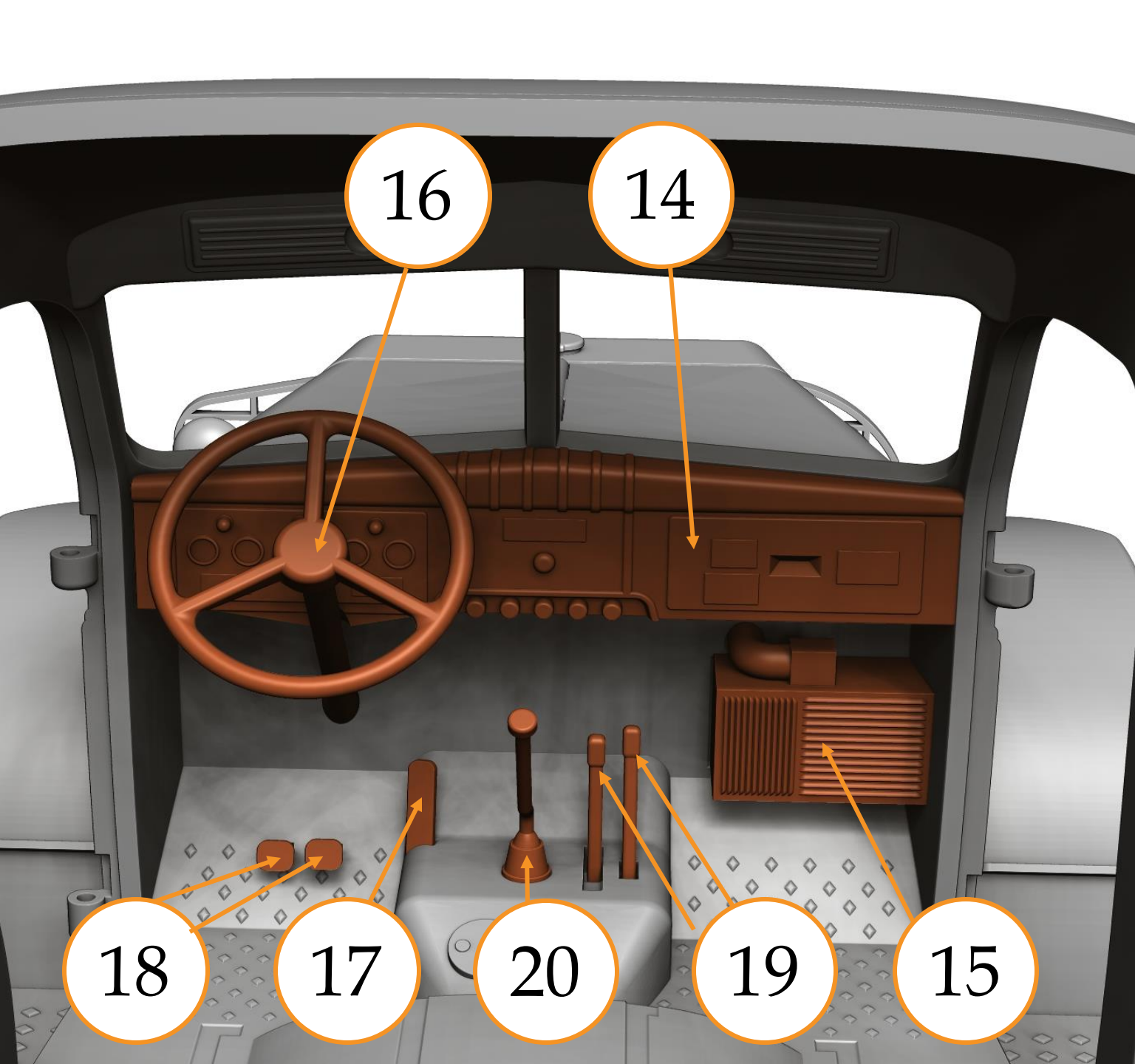
Wheels, exhaust.



34

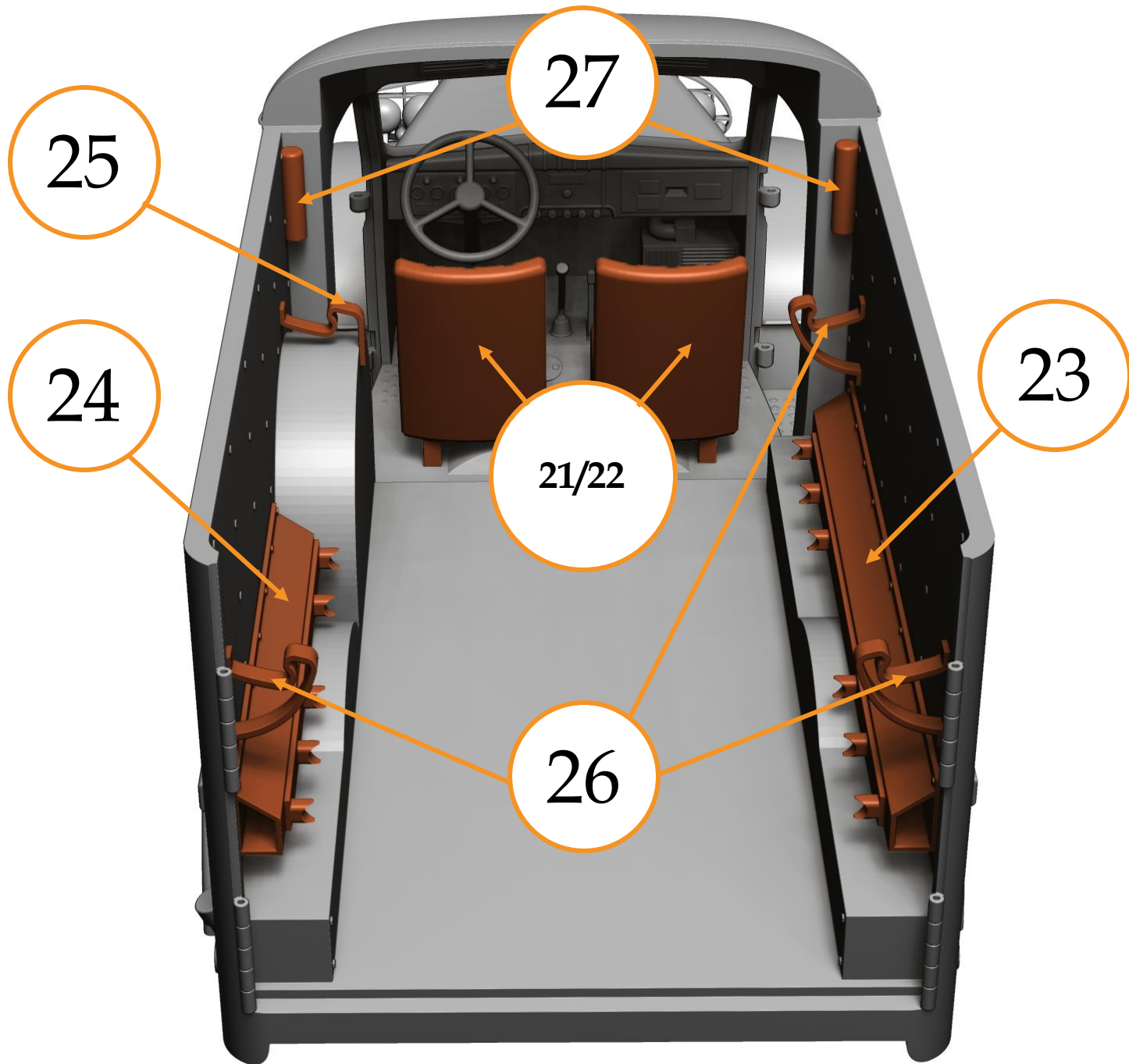
35

Headlights



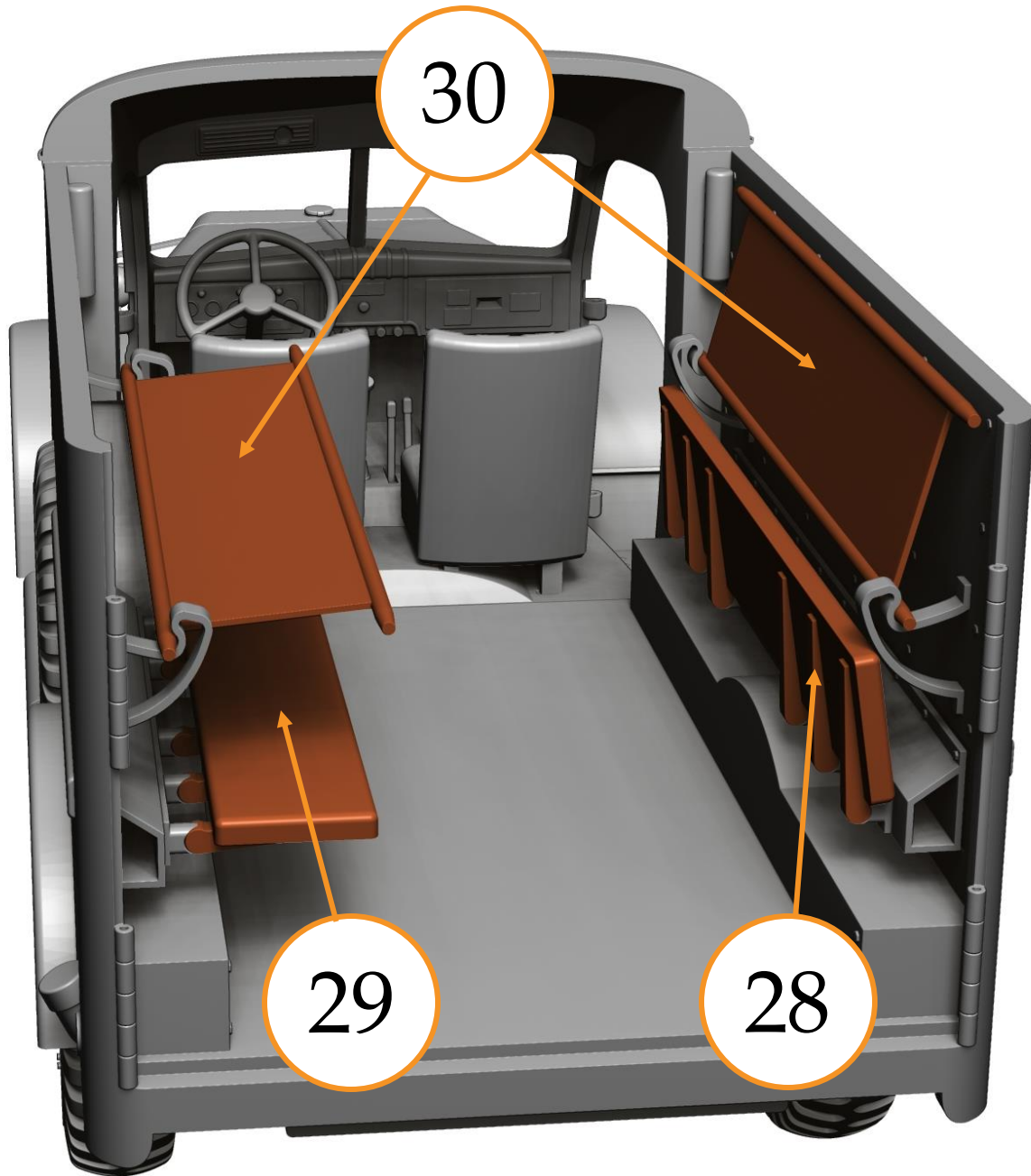
Cab interior

- 14 - instrument panel
- 15 - cabine filter
- 16 - steering wheel
- 17 - accelerator pedal
- 18 - brake & clutch pedal
- 19 - off-roads lever
- 20 - gearbox lever



Medical interior

- 21 - driver seat
- 22 - passenger seat
- 23 - right panel (long)
- 24 - left panel (short)
- 25 - hanger 1 pcs.
- 26 - hanger 3 pcs.
- 27 - interior details 2 pcs.

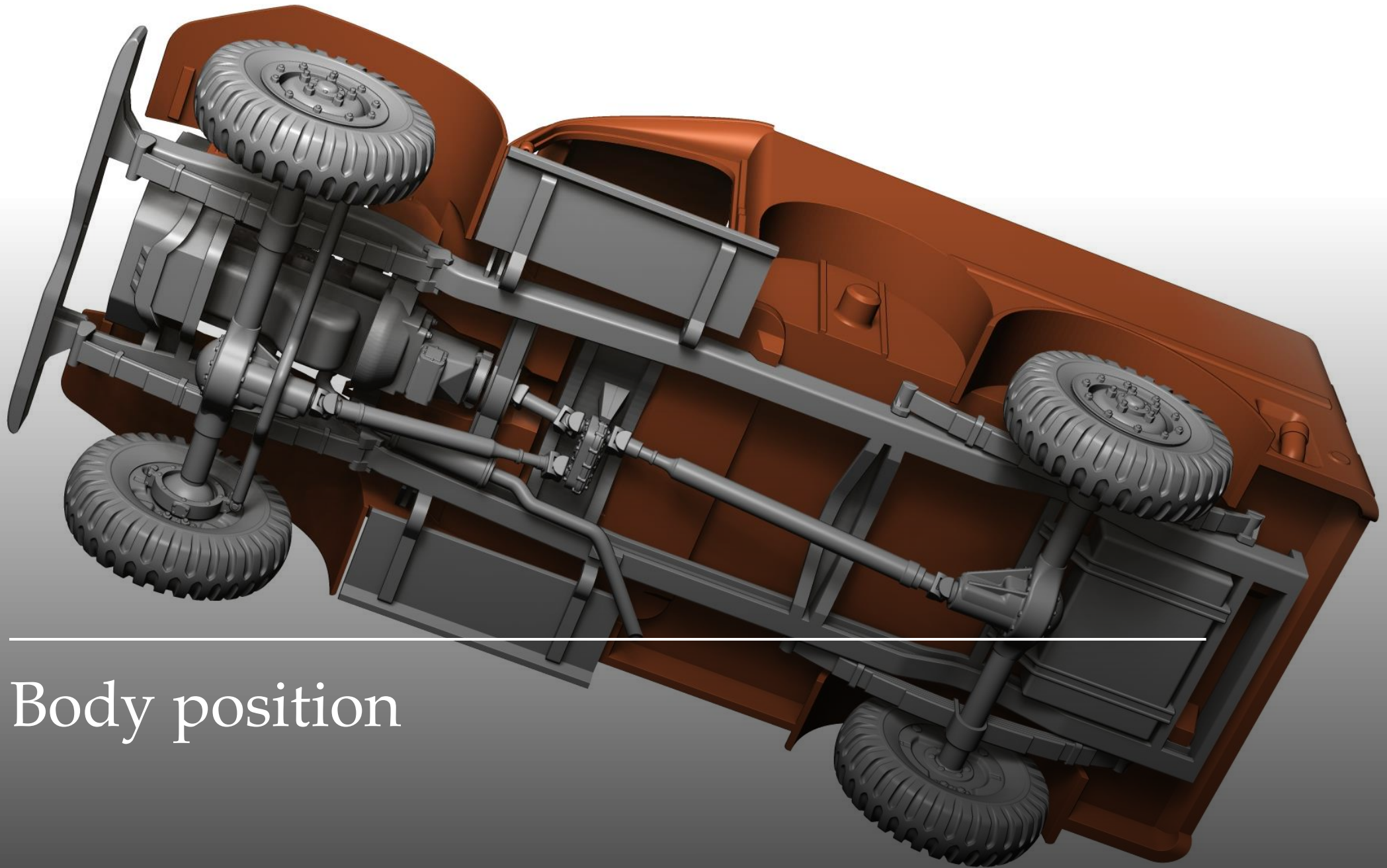


Medical interior

28 – bench (long)

29 – bench (short)

30 - stretchers



Body position

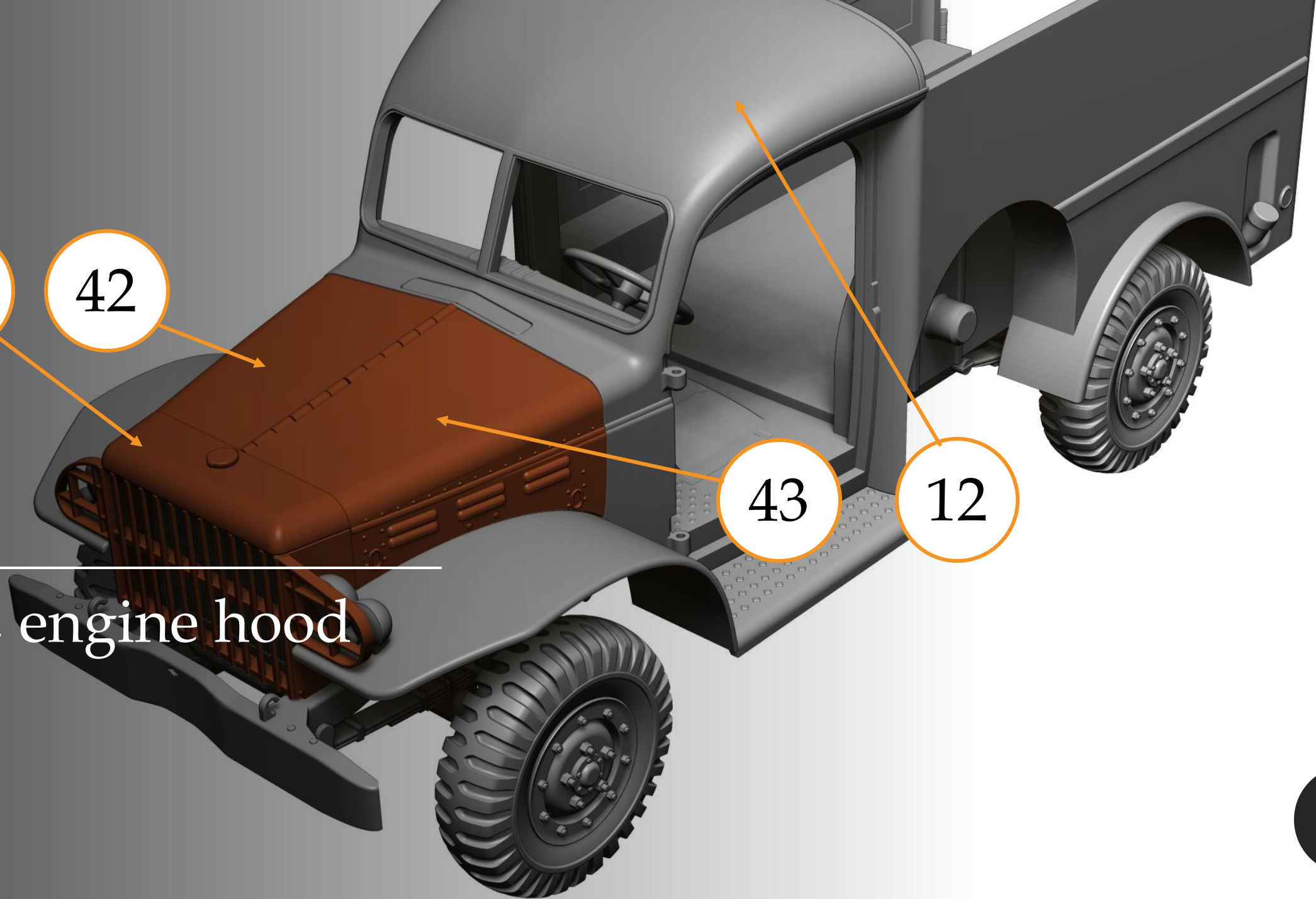
41

42

43

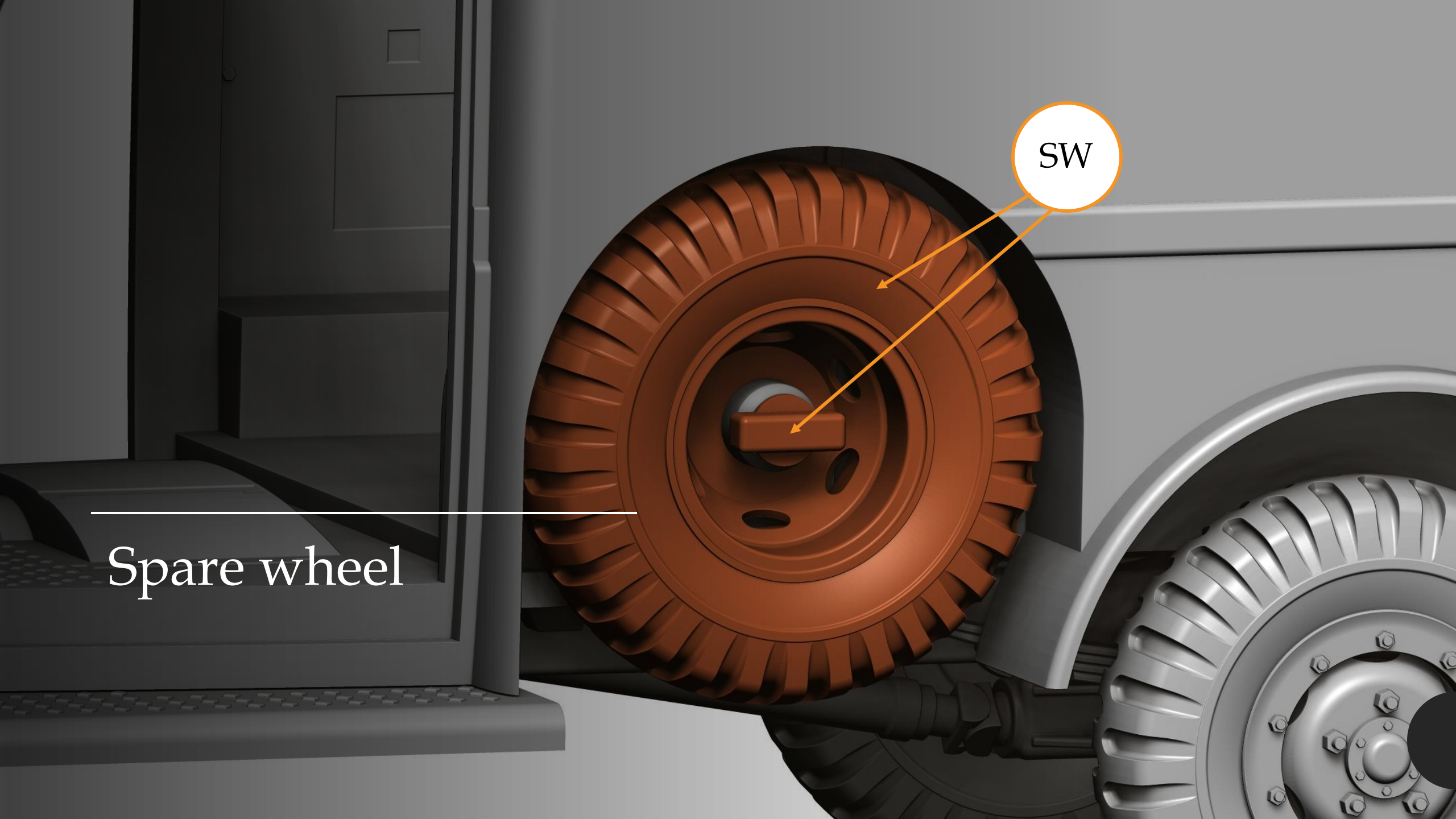
12

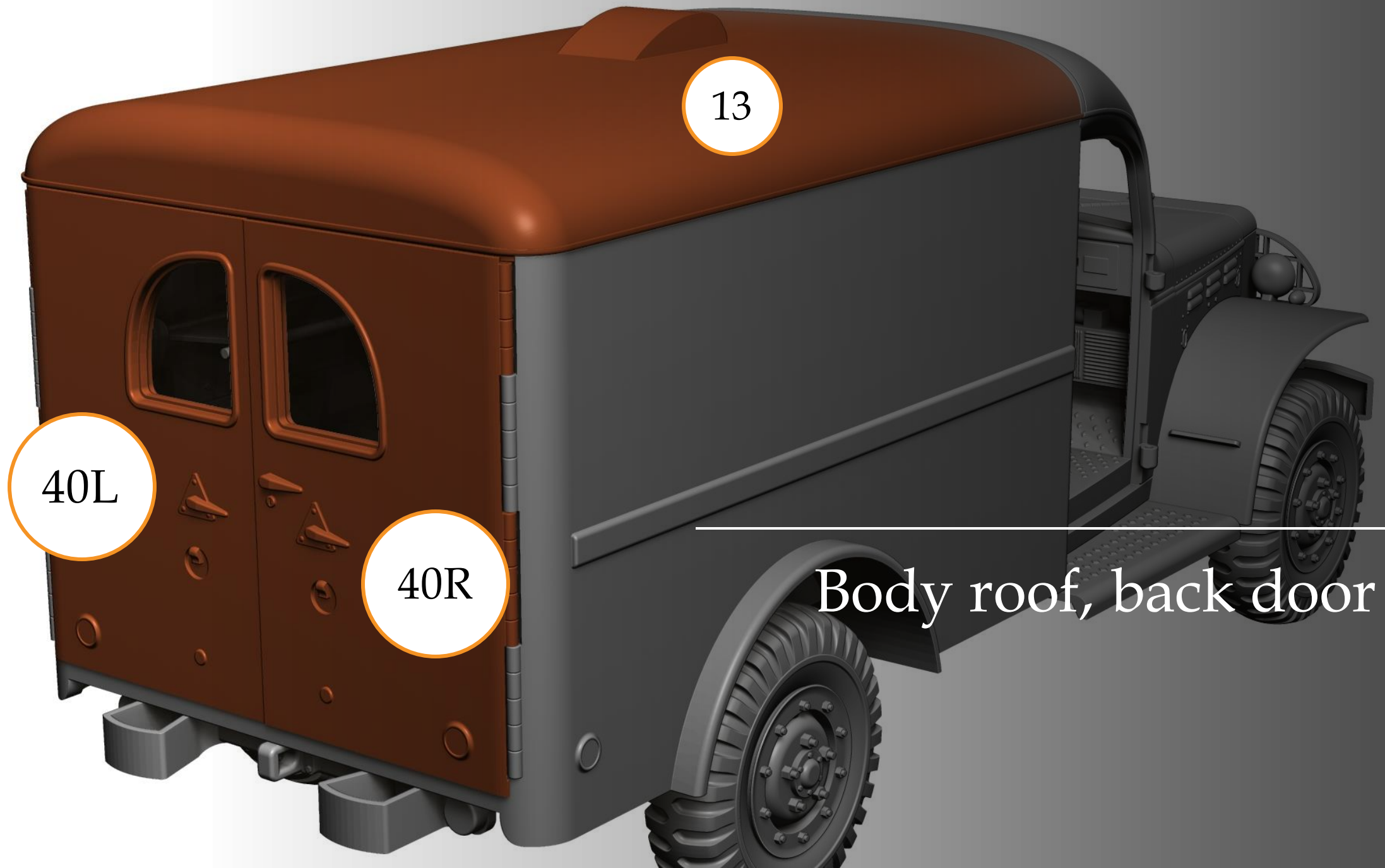
Body, engine hood



Spare wheel

SW



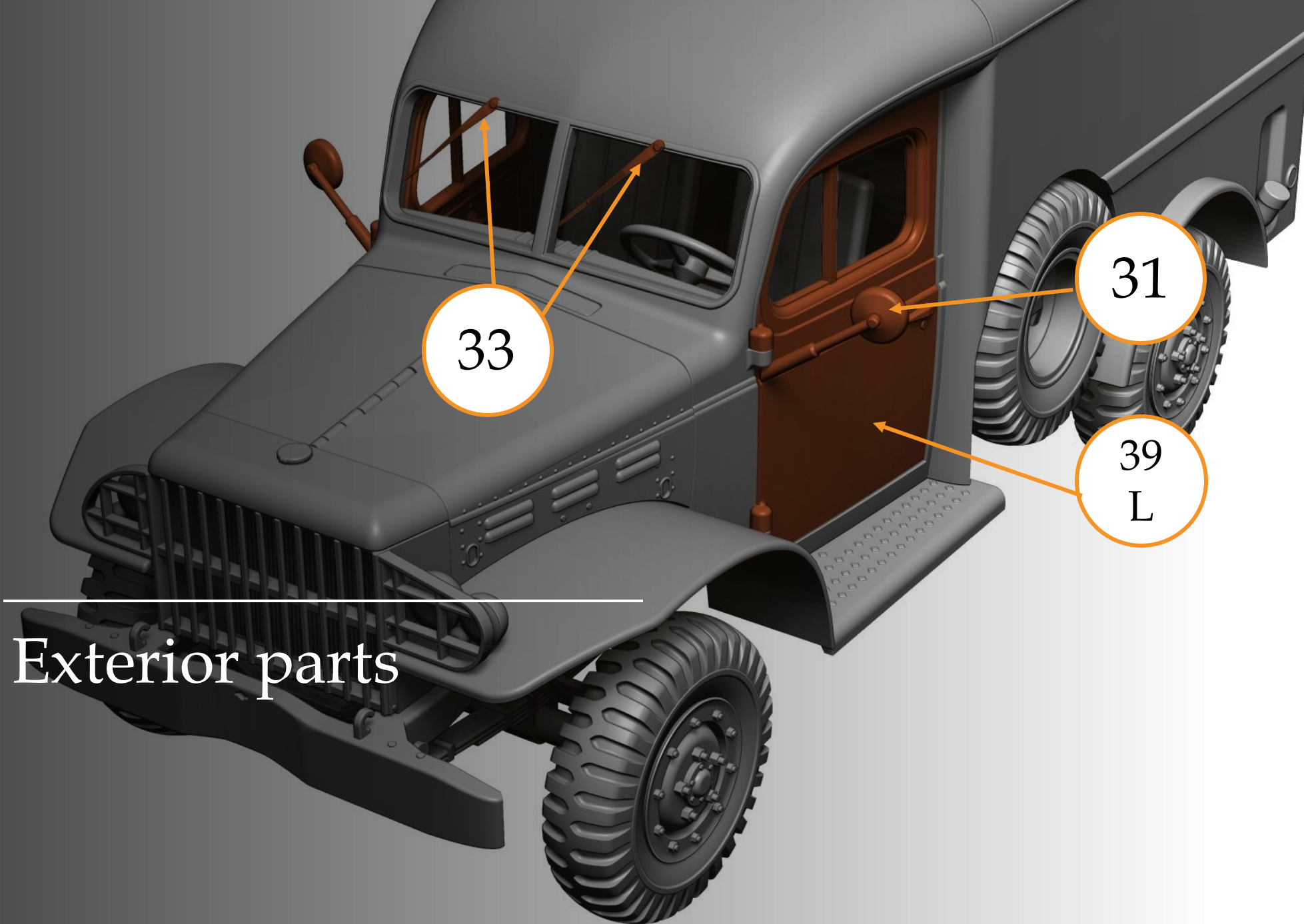


13

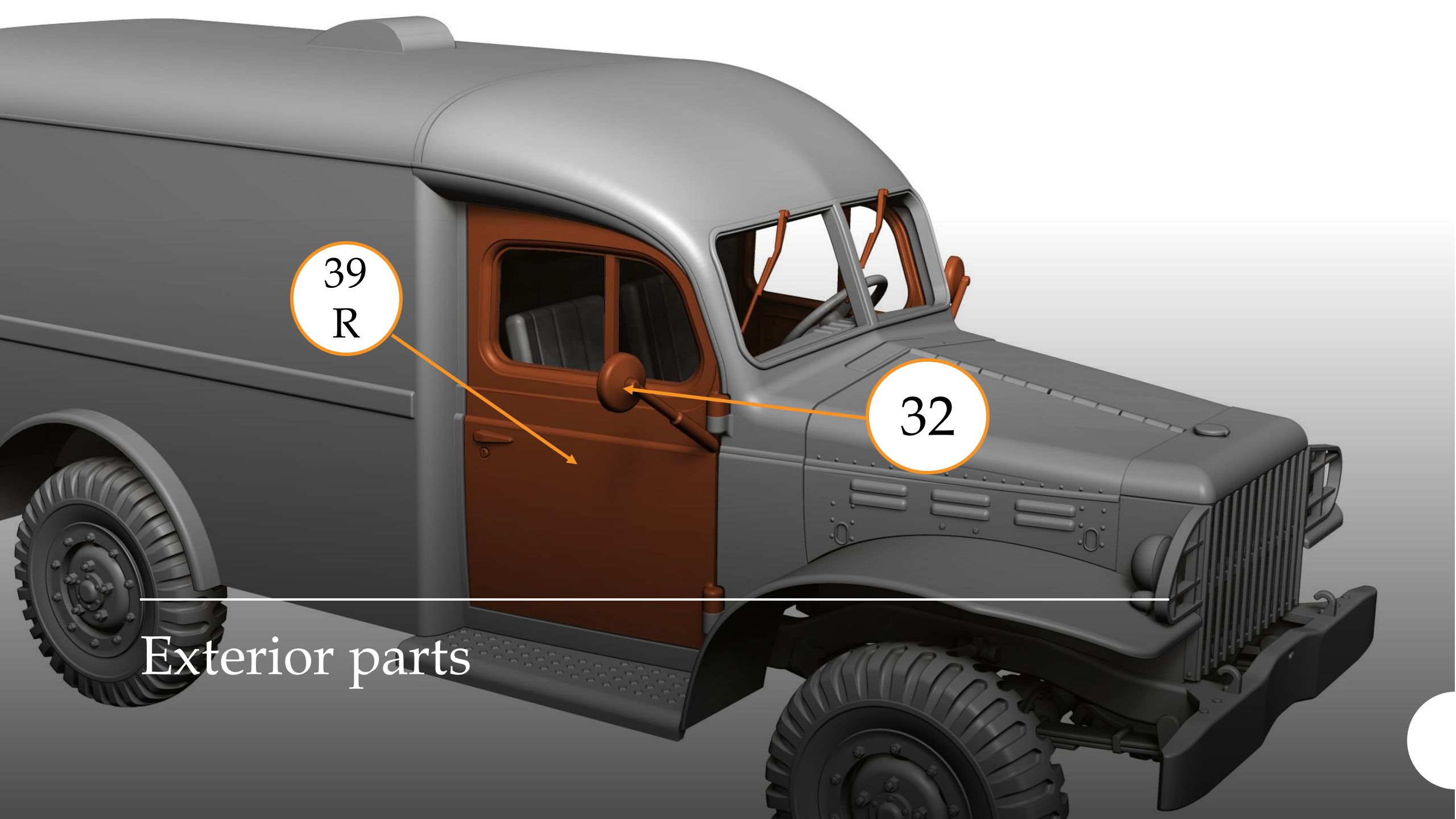
40L

40R

Body roof, back door



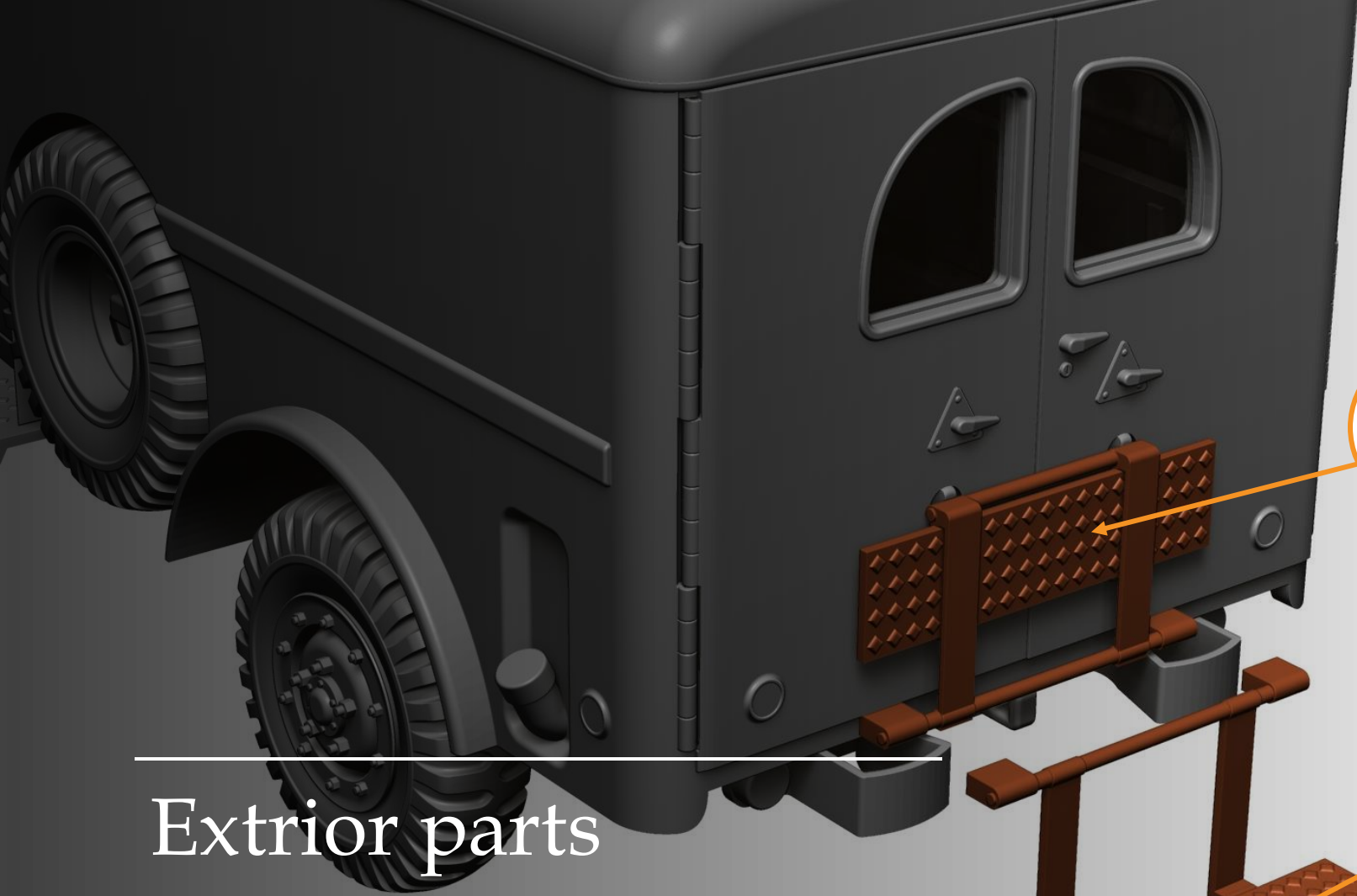
Exterior parts



39
R

32

Exterior parts



37

Option ?

38

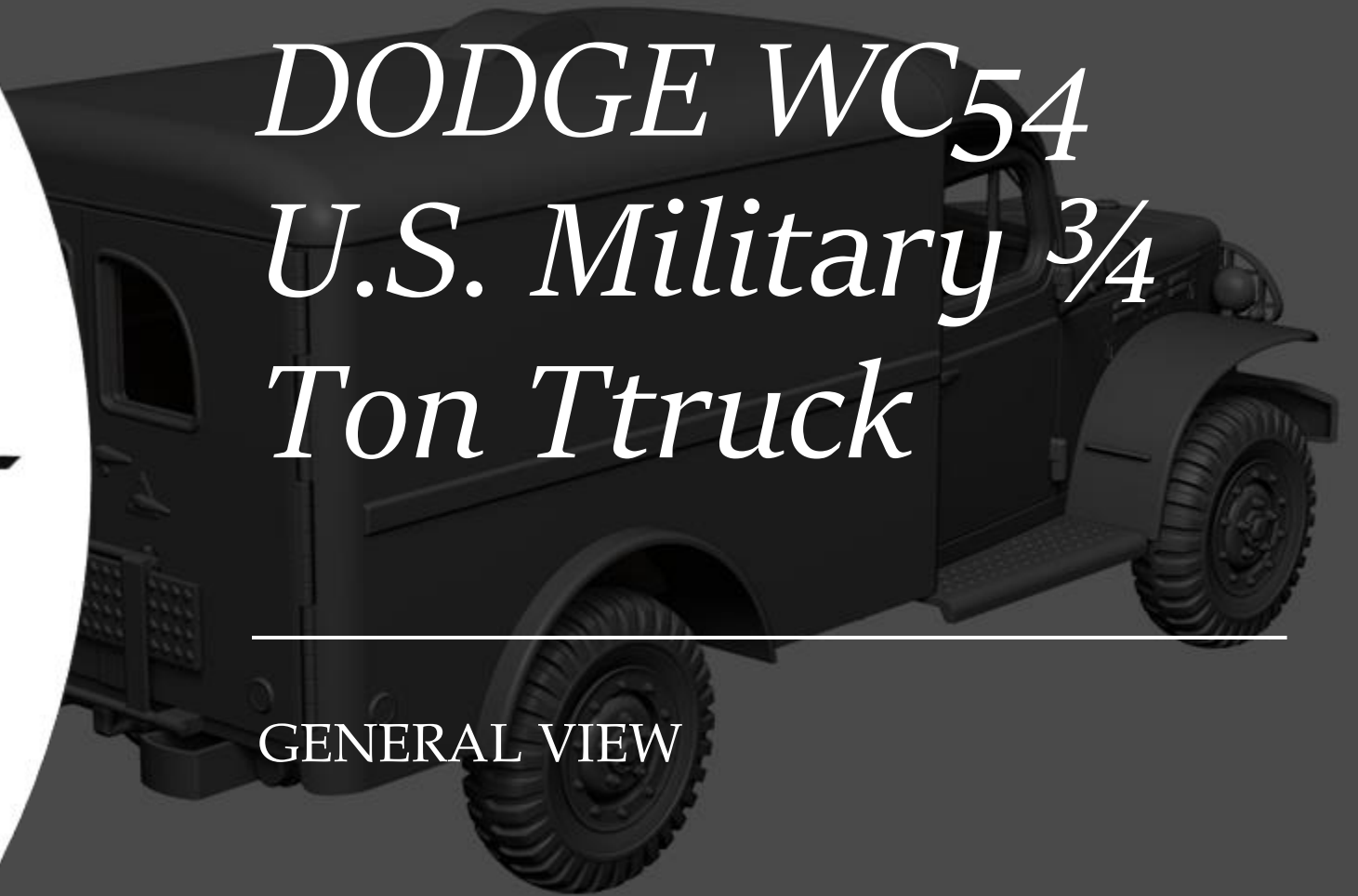
Exterior parts



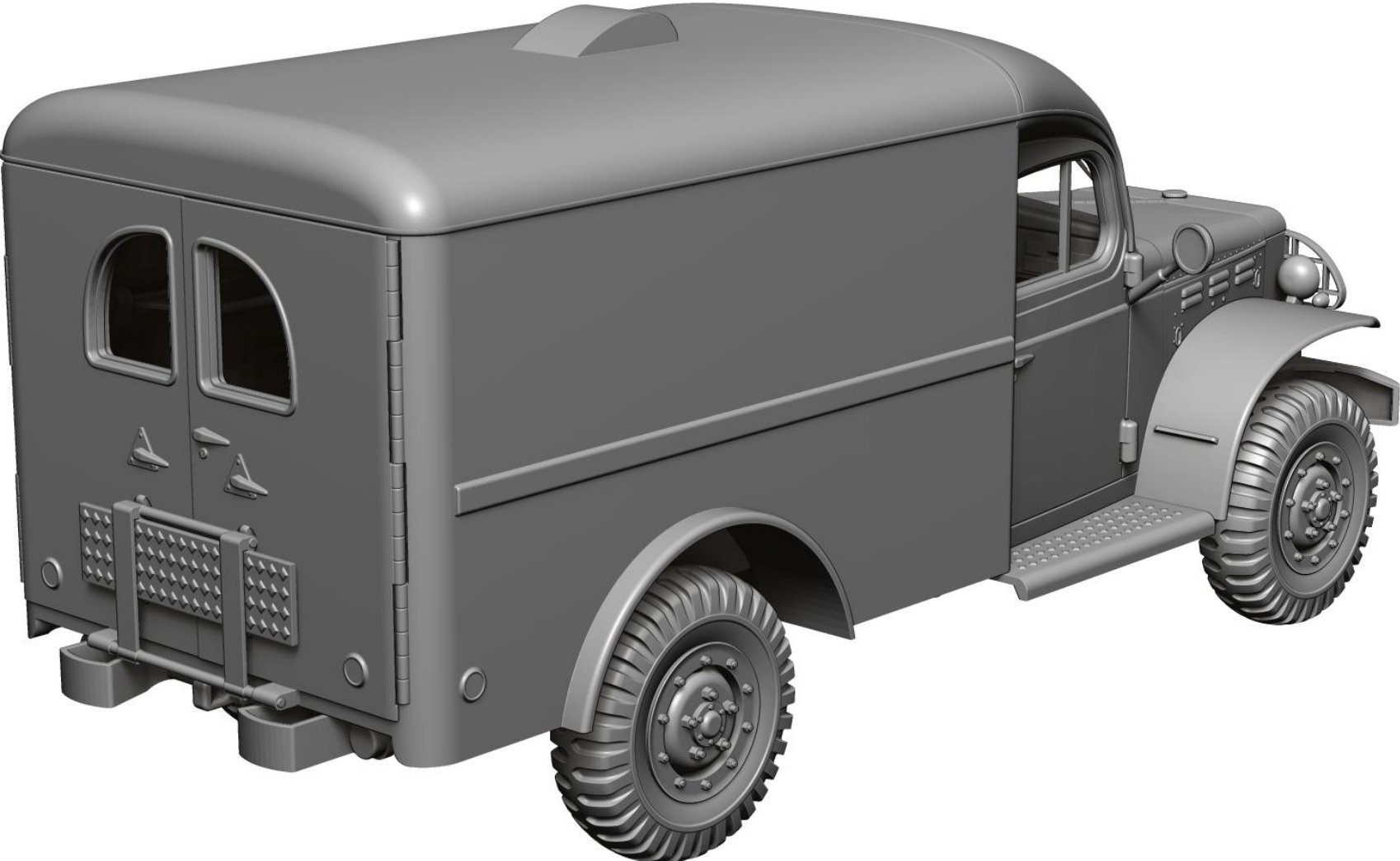
DOGFIGHT
WORKSHOP

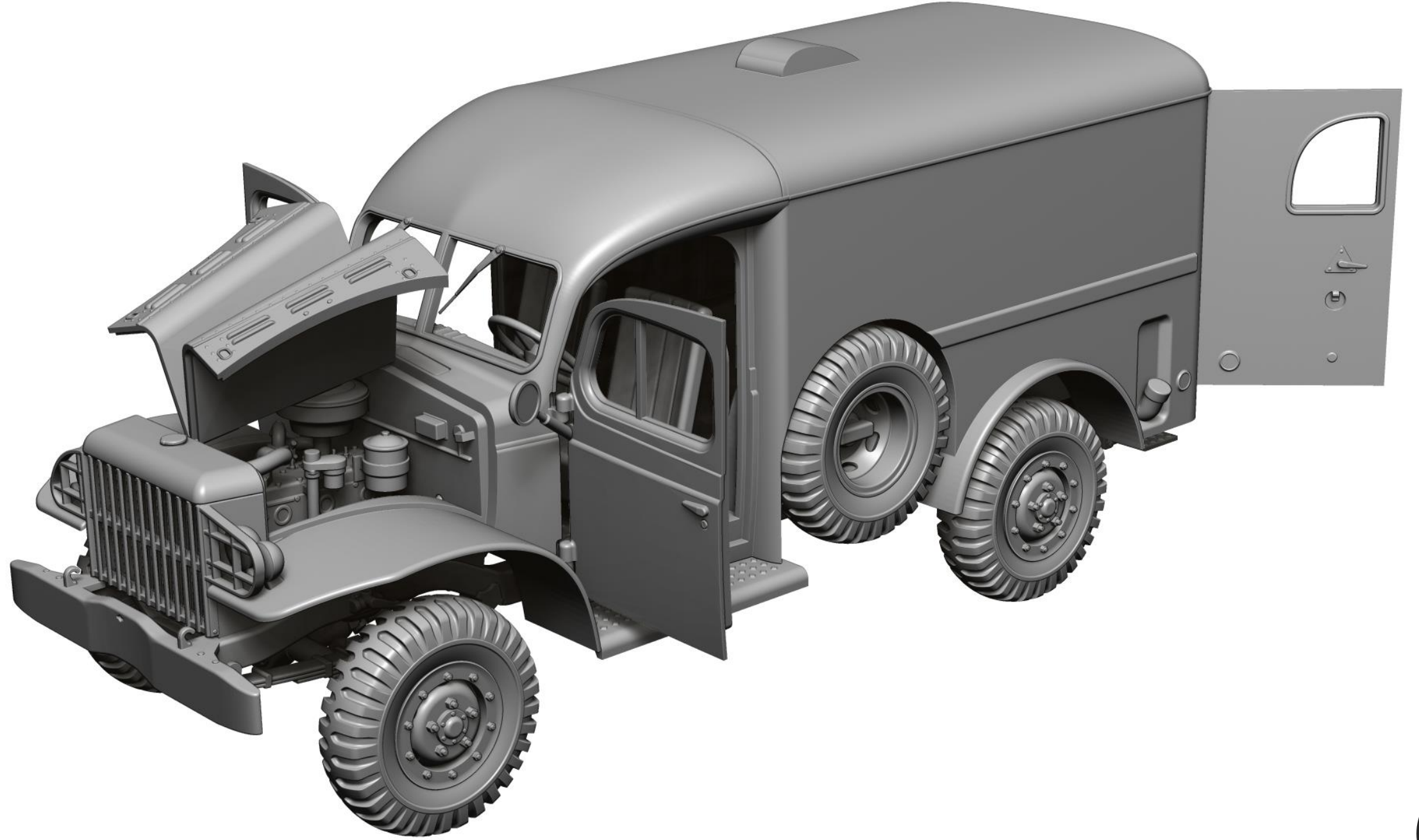
*DODGE WC54
U.S. Military ³/₄
Ton Ttruck*

GENERAL VIEW













DOGFIGHT
WORKSHOP

Thank you for choosing our product. With each subsequent one we make every effort to make our models better and better.

Happy Modelling

Dogfight Workshop Team

www.dogfightworkshop.com

dogfightworkshop@gmail.com