



DOGFIGHT
WORKSHOP

G-622 FORD GTB (Burma Jeep)

U.S. Military 1-1/2 Ton Truck 4x4

scale 1/48

Full 3D printed

1/48 Military Miniature Series No.: 48A08

Overall Length 100 mm

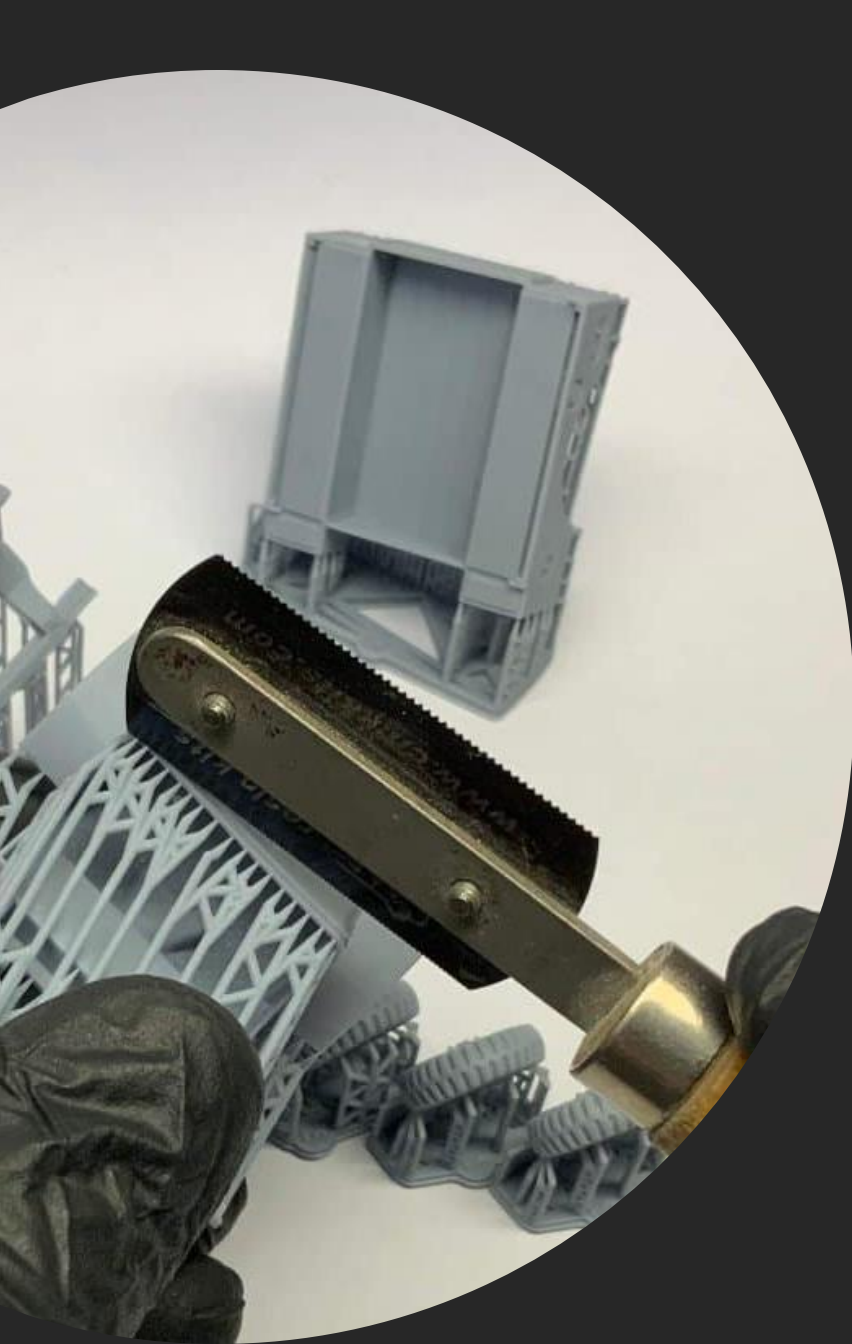


DOGFIGHT
WORKSHOP

Thank you for choosing our product.
Our models are made in
3D printing technology from
photopolymer resins.

Below are some steps, tips and tricks on how
to prepare our product for building.

Happy Modelling !

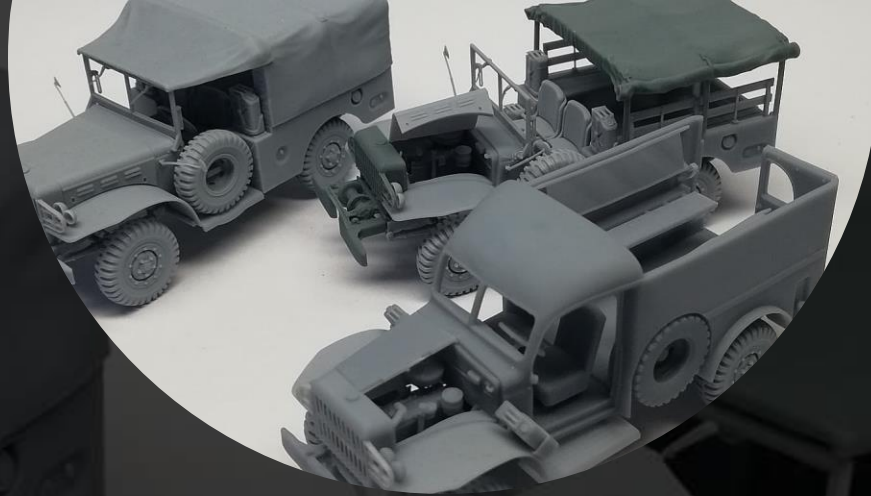
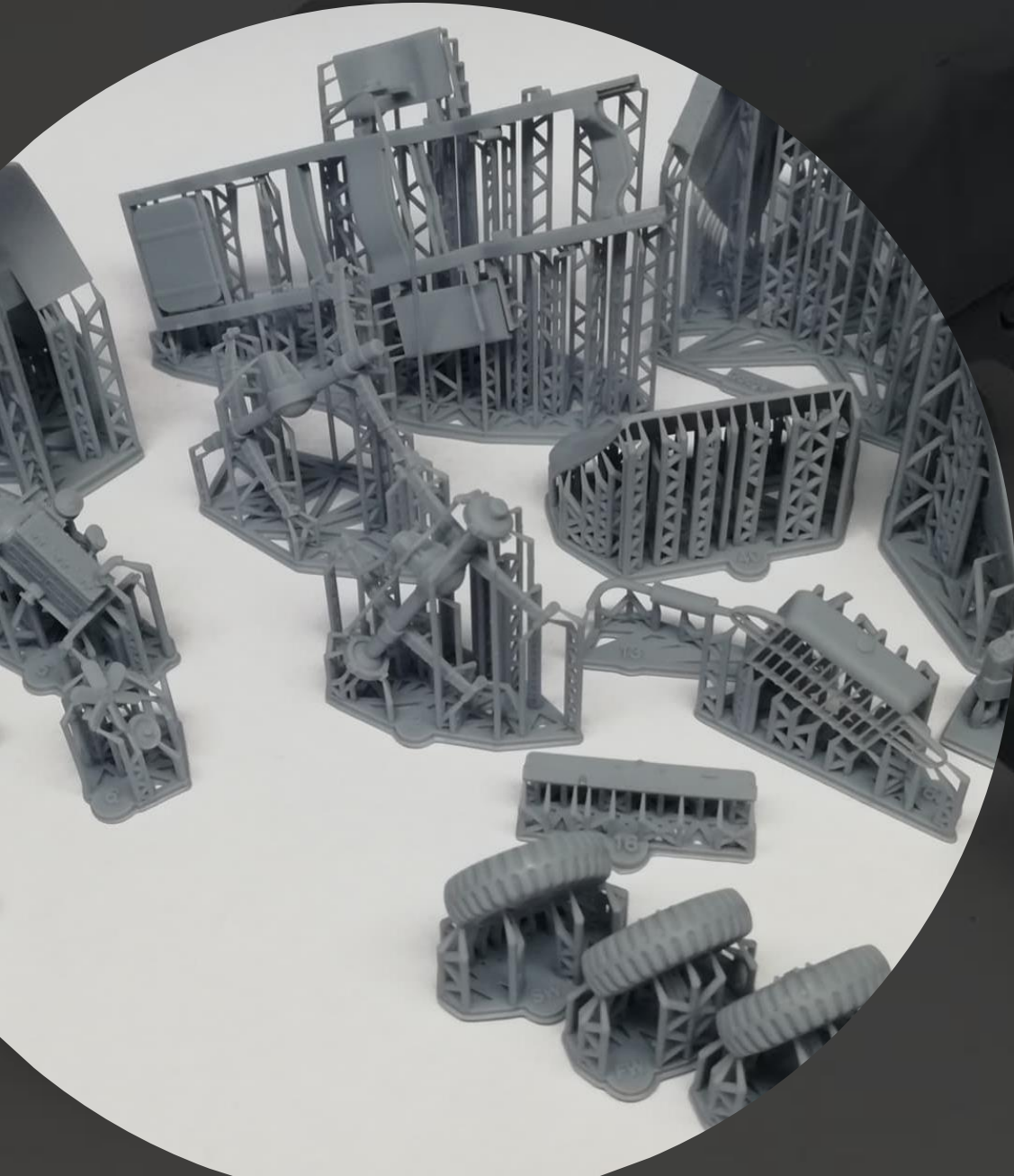


A few tips and tricks how to prepare our models

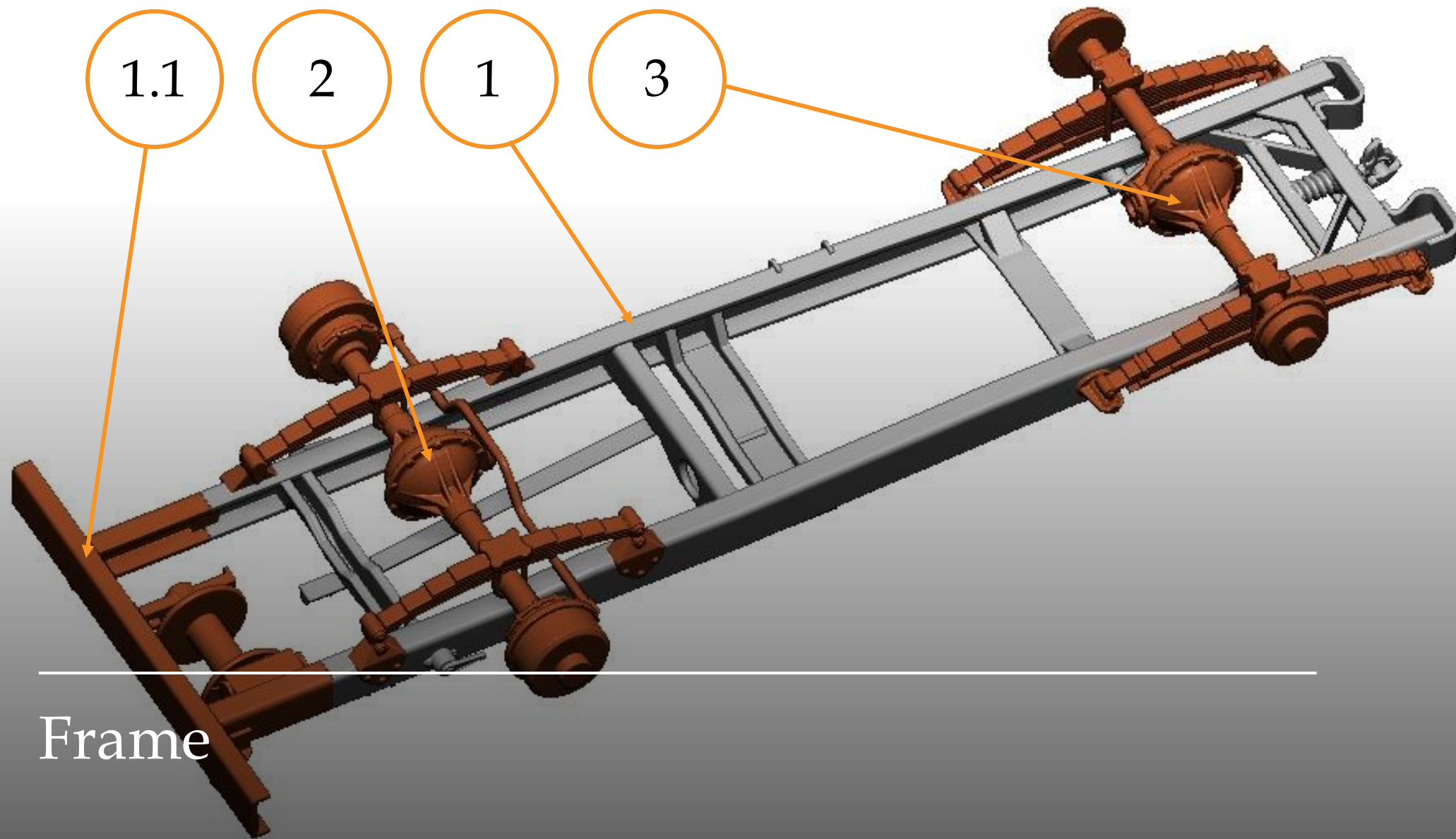
- 1 - *Cutting off printing supports ...*
 - *modelling knife*
 - *modelling cutter*
 - *modelling saw*



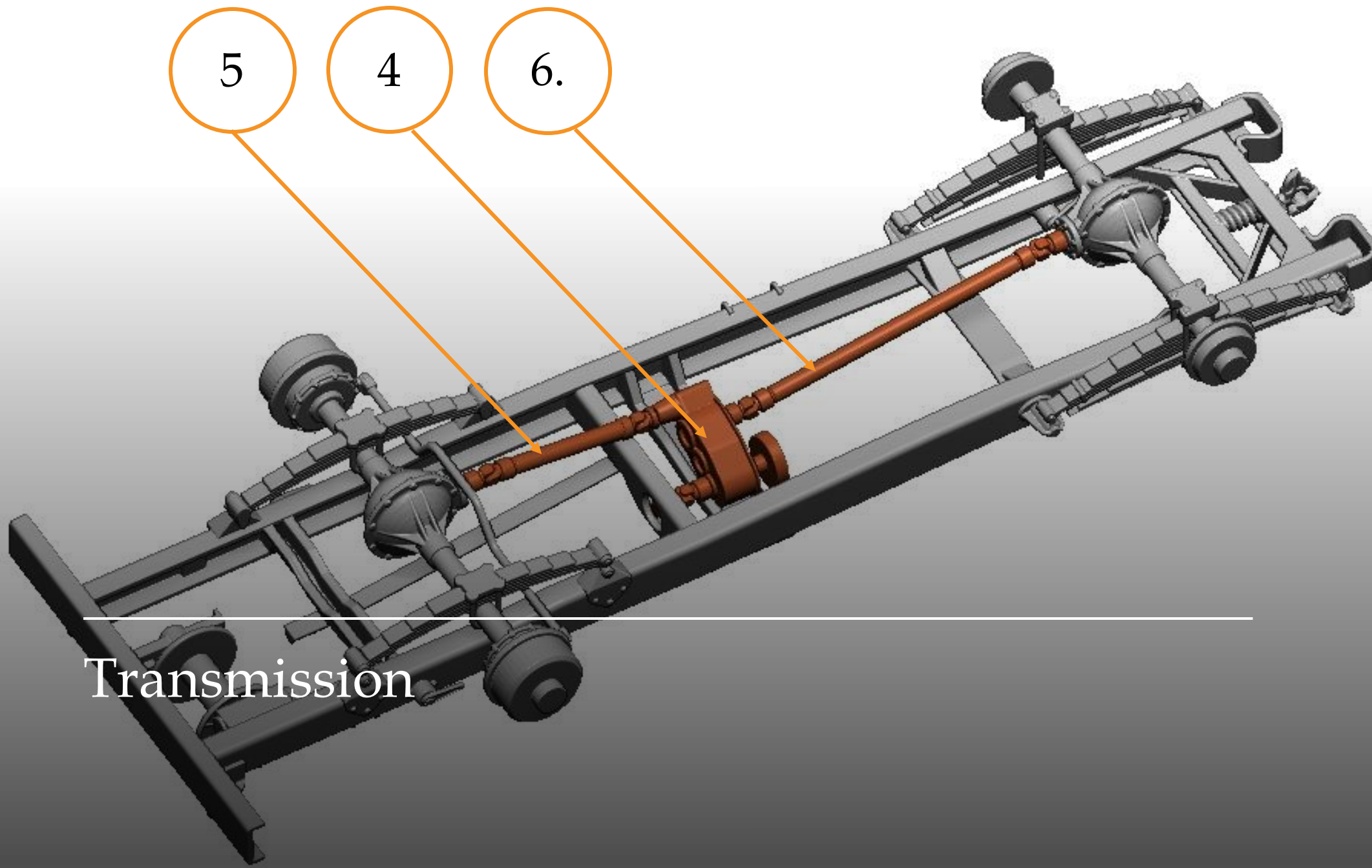
- 2 - Grinding and sanding ...
- modelling grinding wool
 - modelling sponge
 - modelling file



THE BUILD

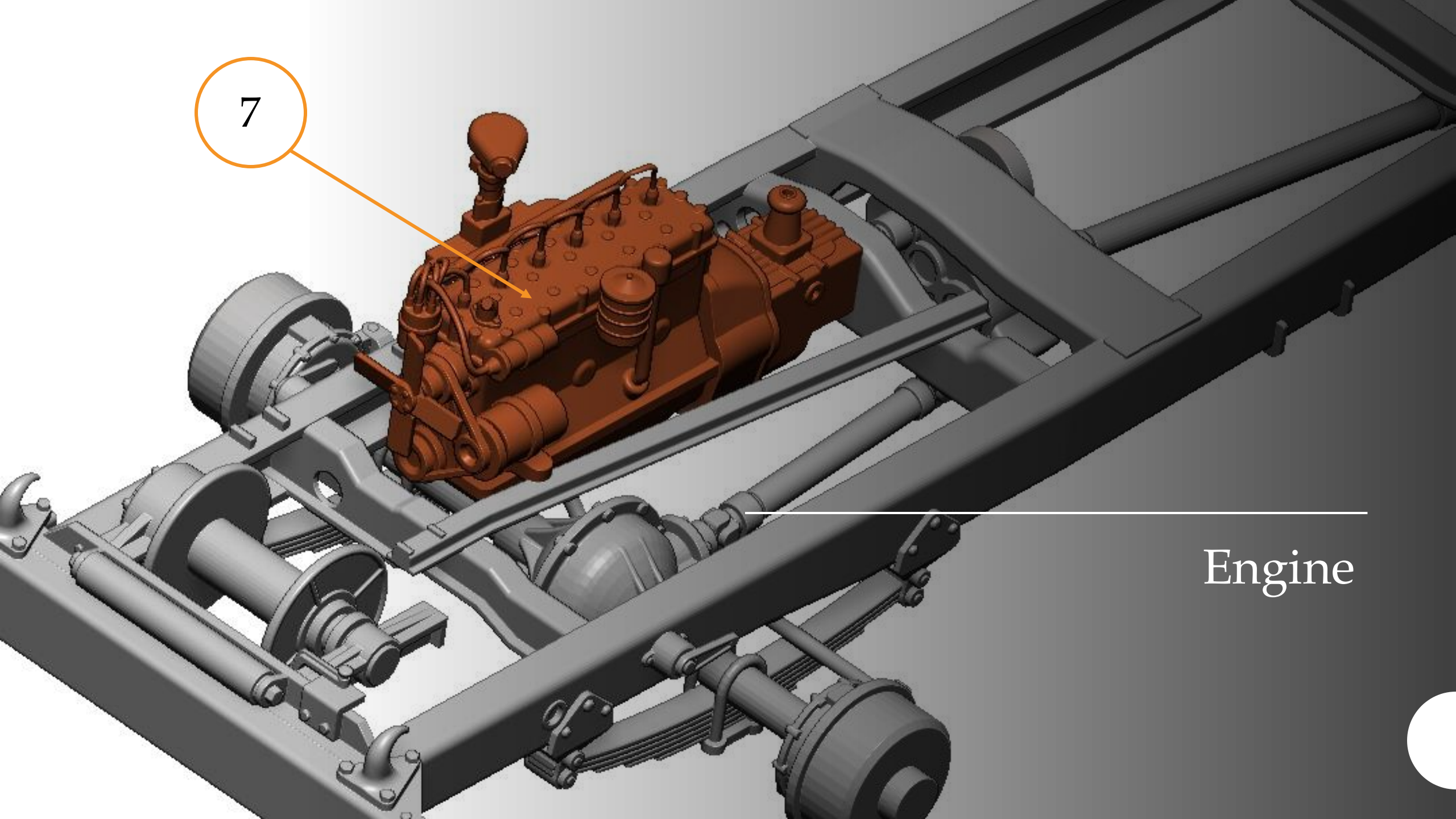


Frame

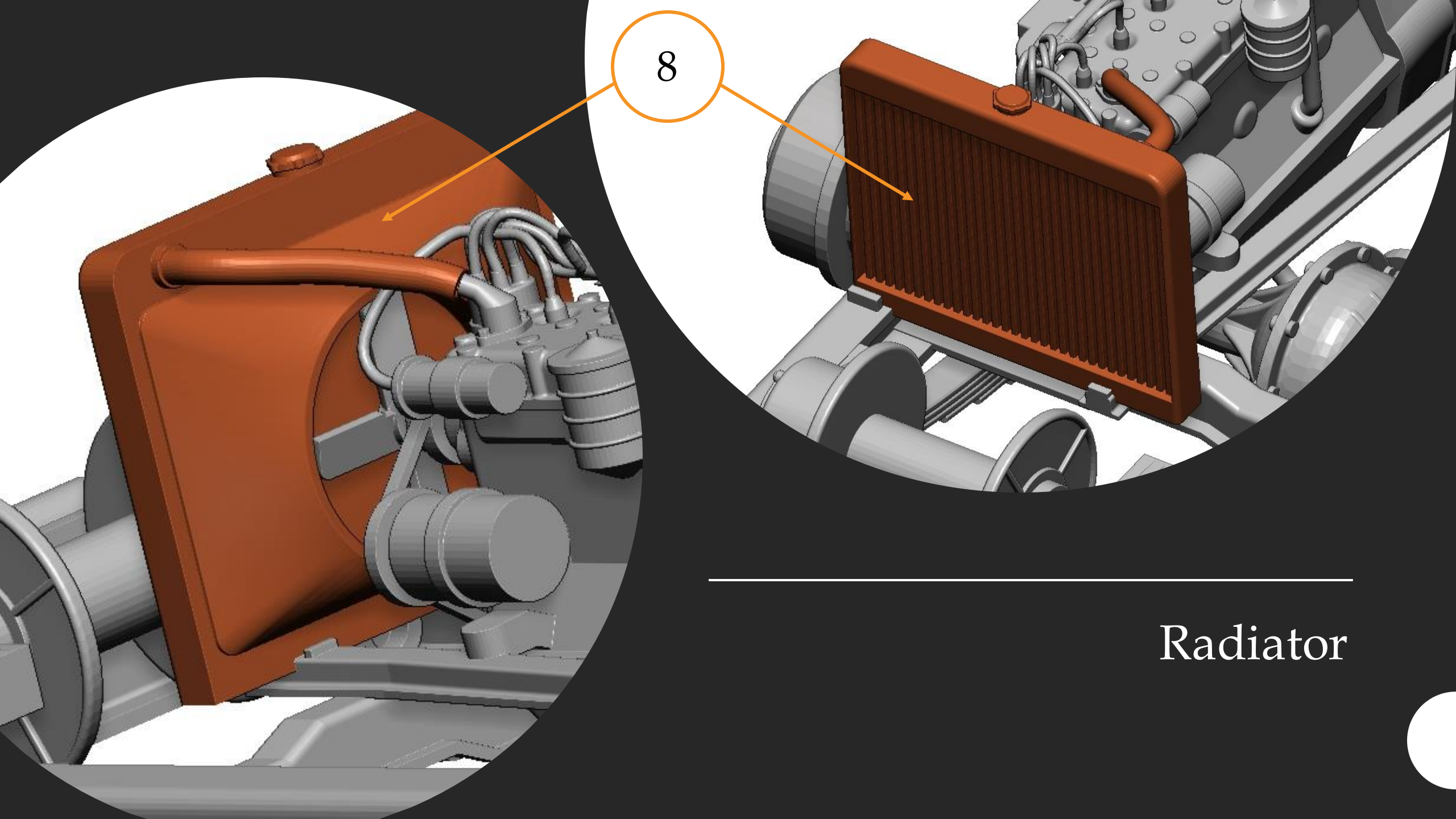


Transmission

7



Engine

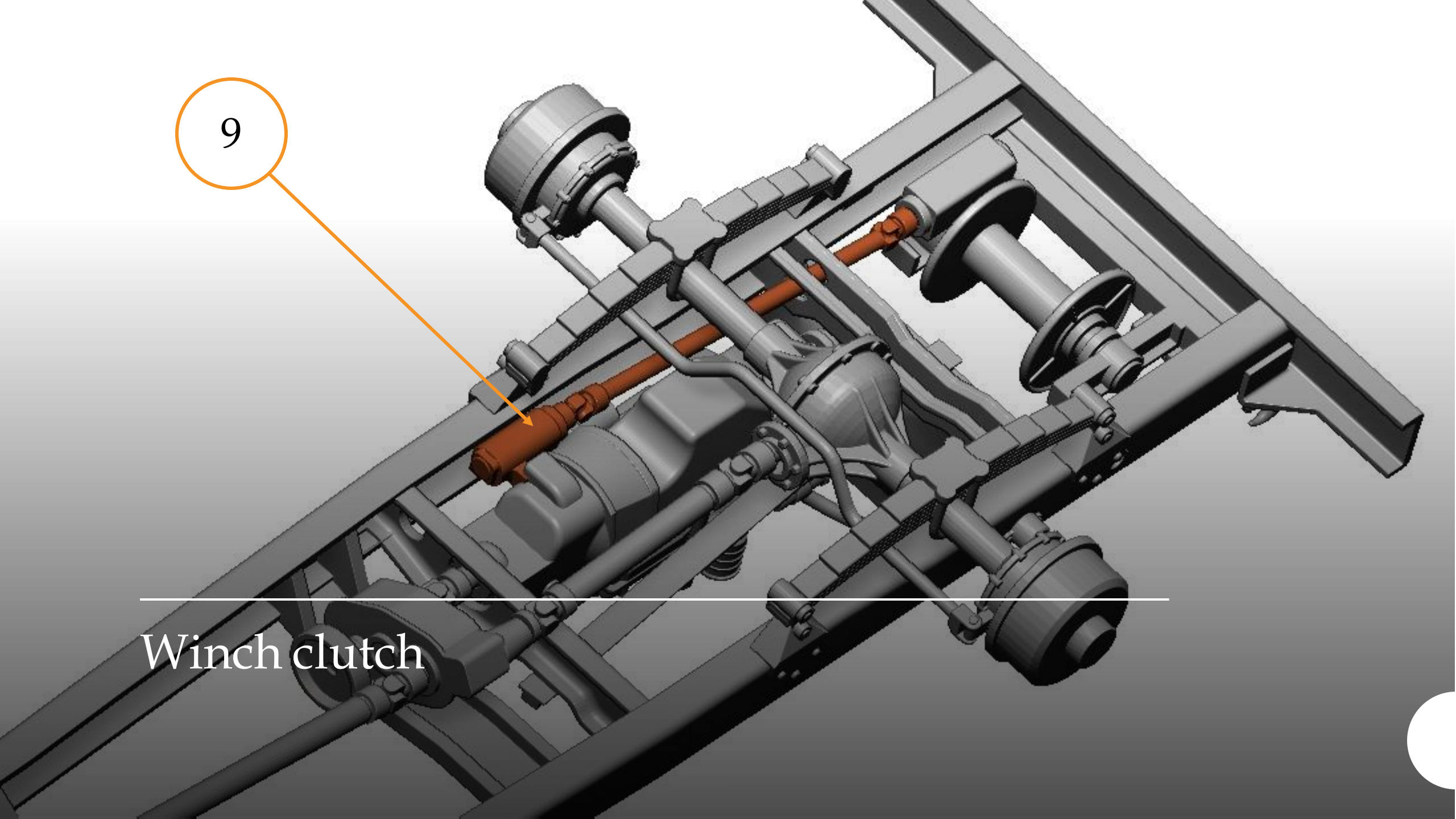


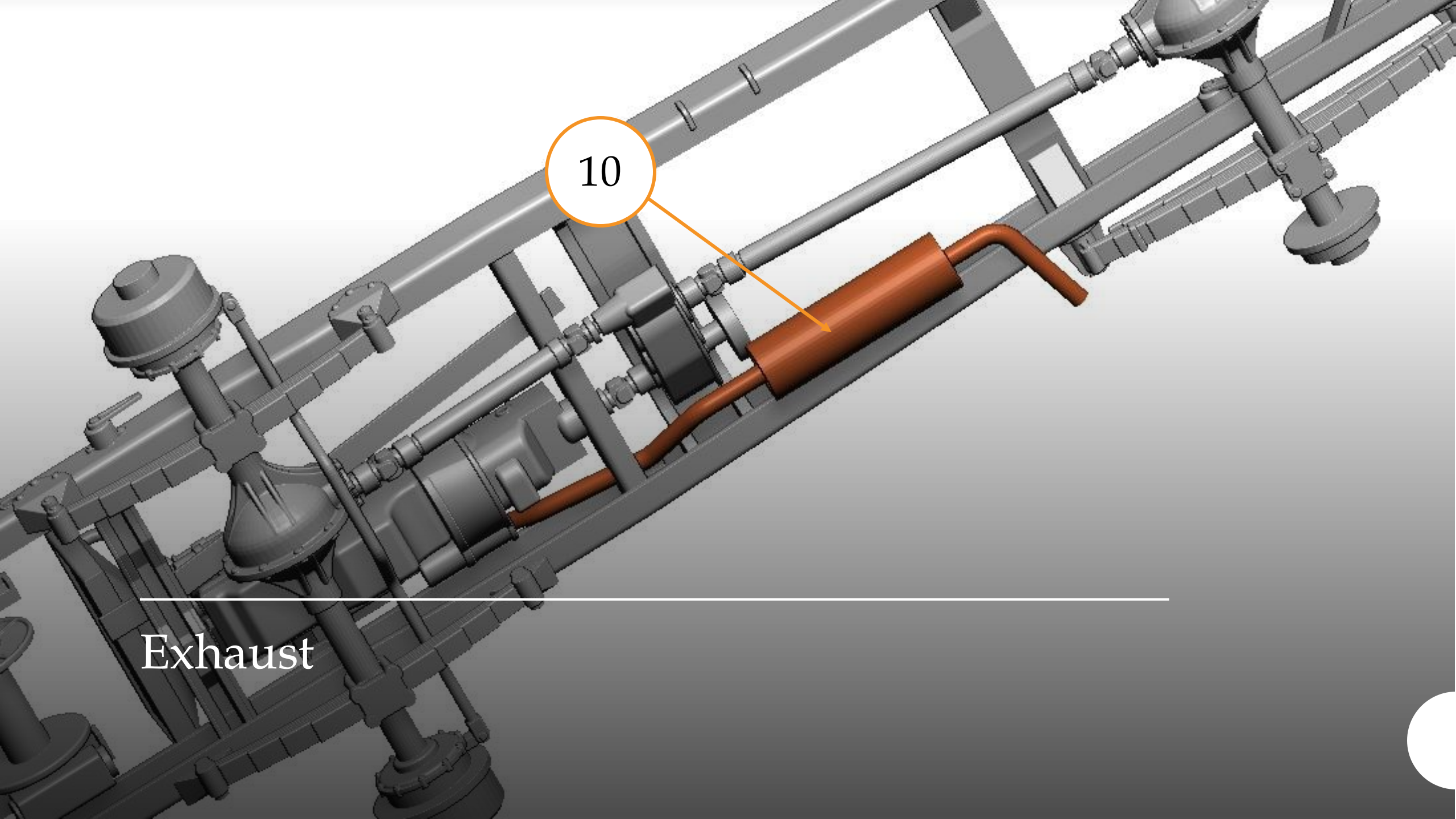
8

Radiator

9

Winch clutch

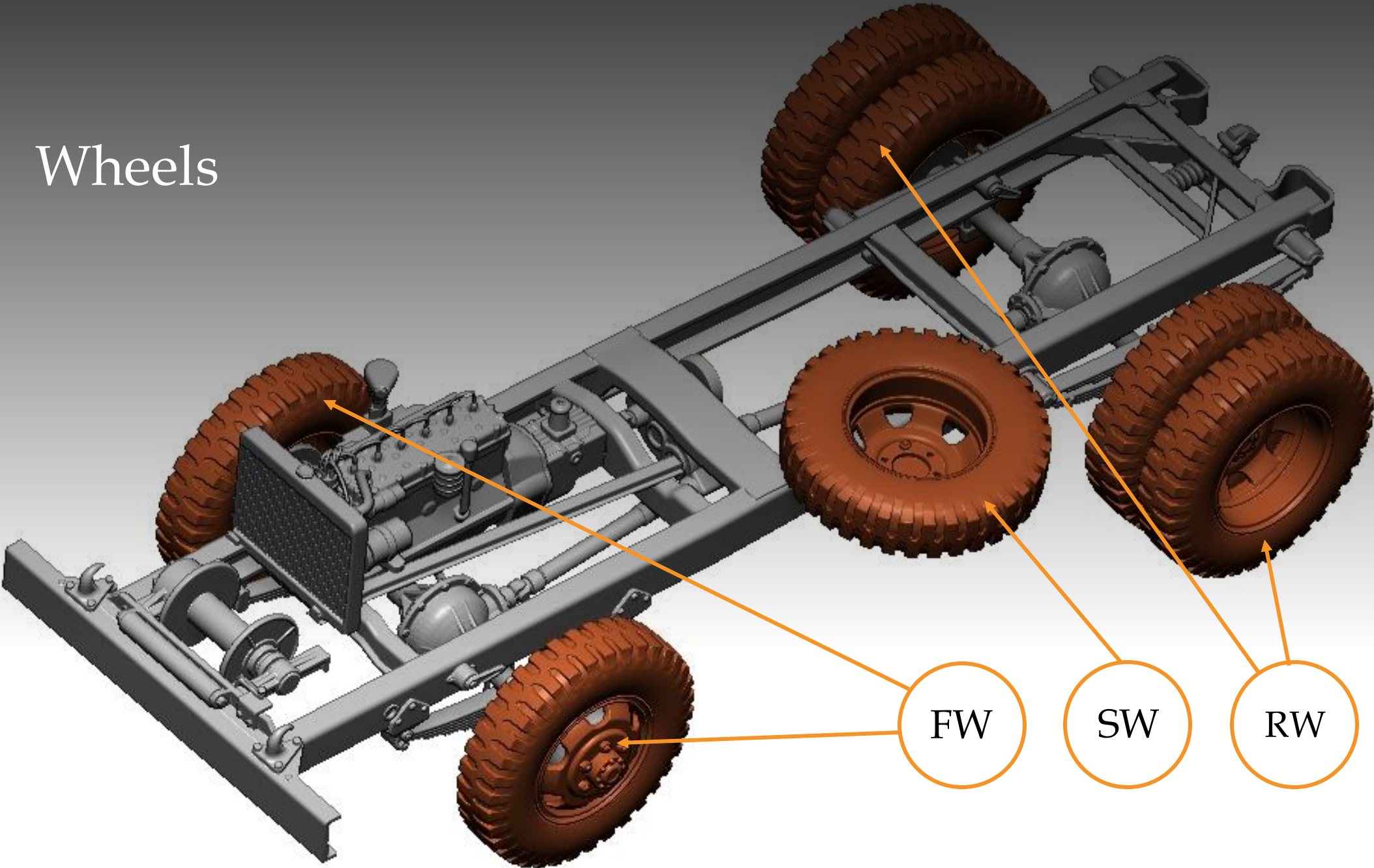


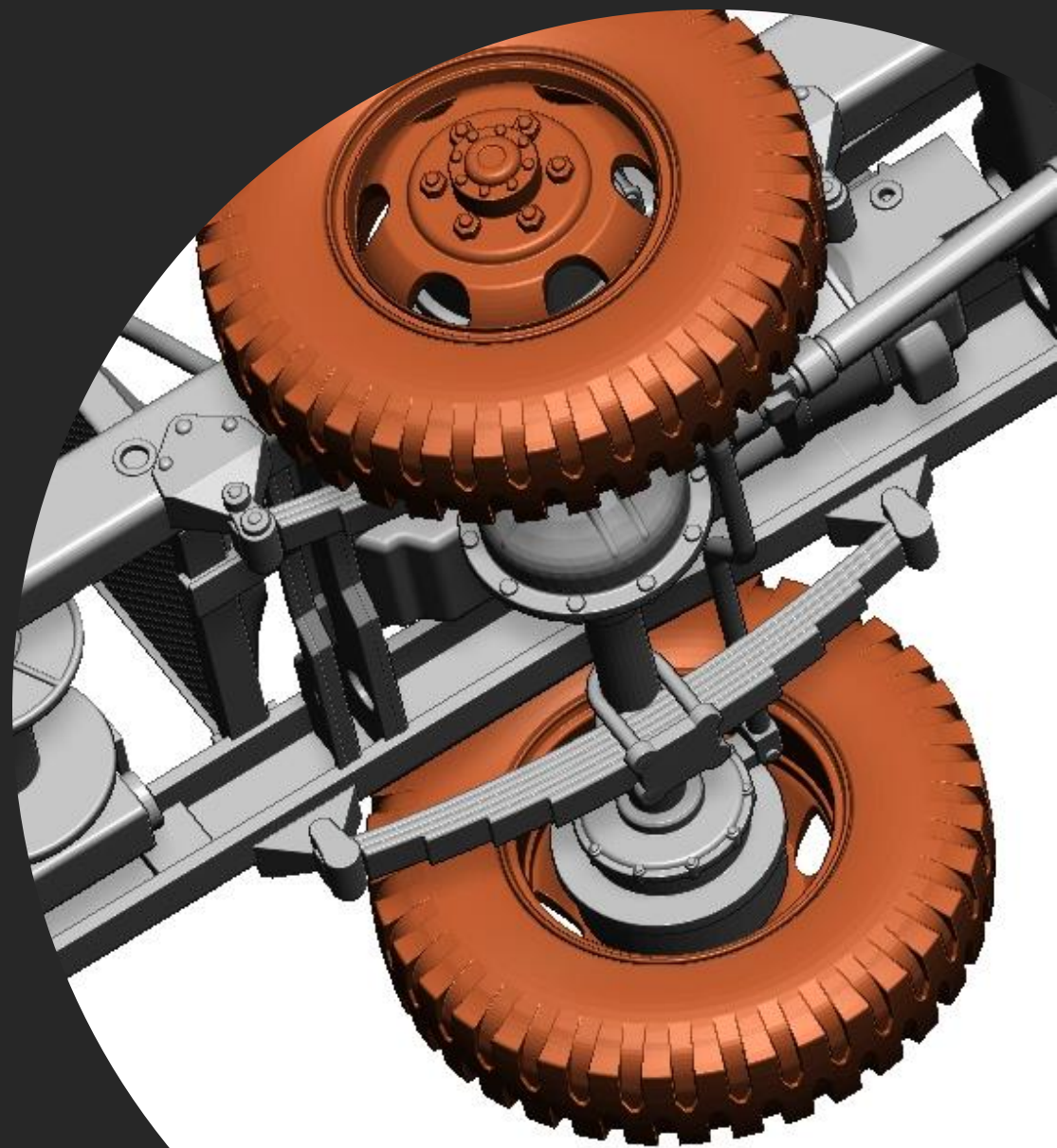
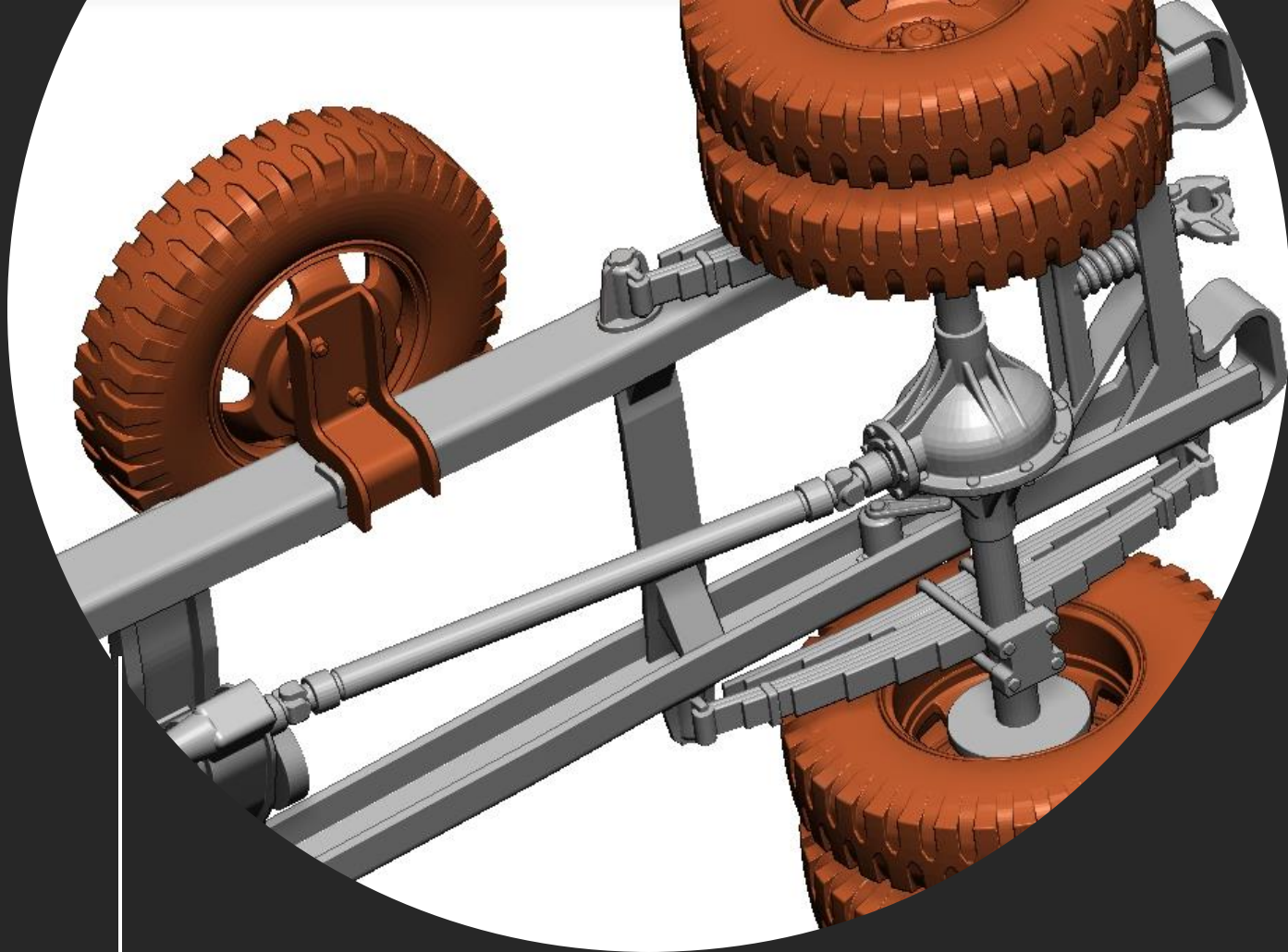


10

Exhaust

Wheels

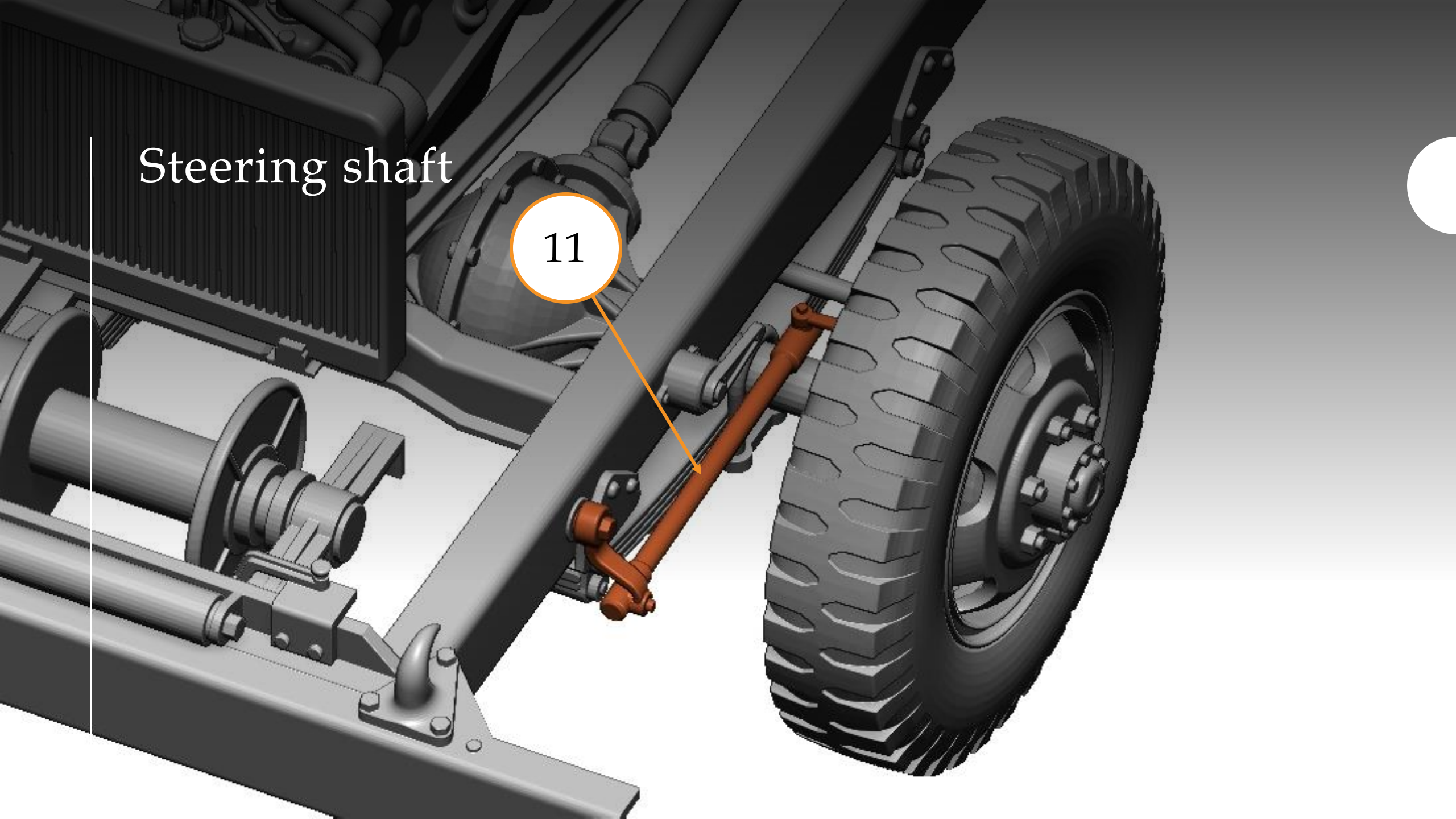




Wheels position

Steering shaft

11





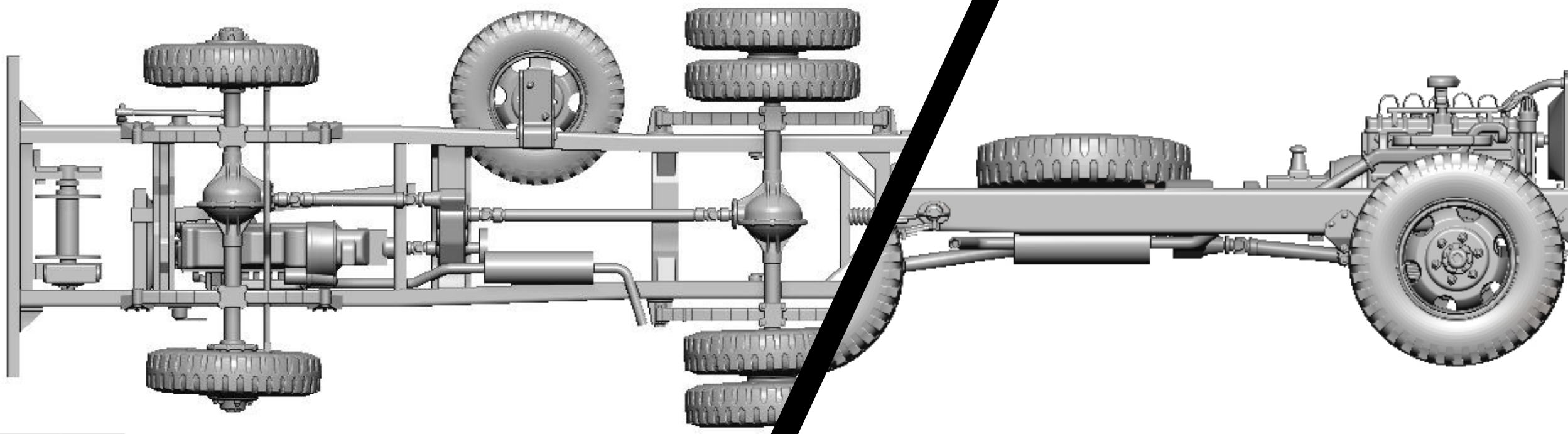
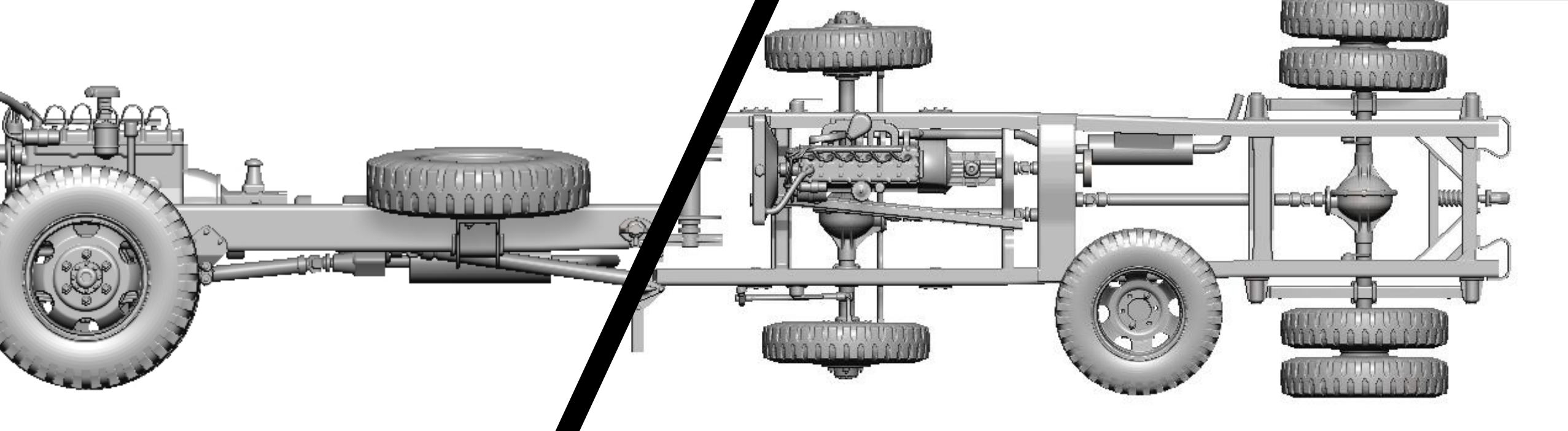
DOGFIGHT
WORKSHOP

G-622 FORD GTB (BURMA JEEP)

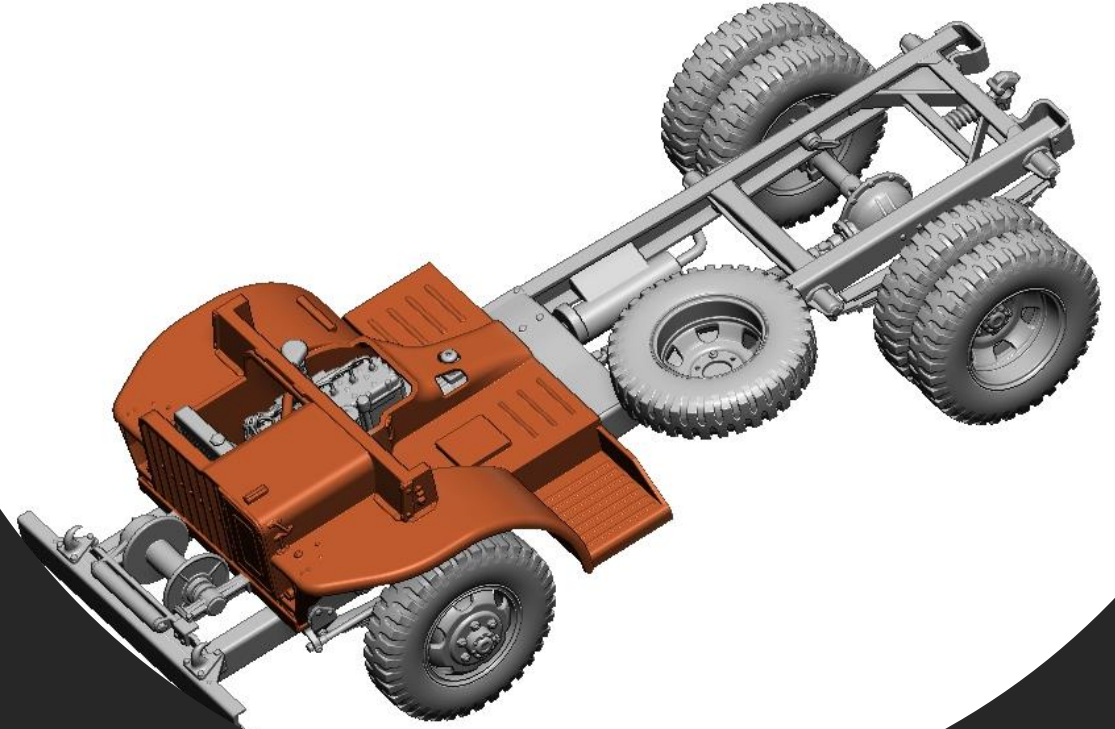
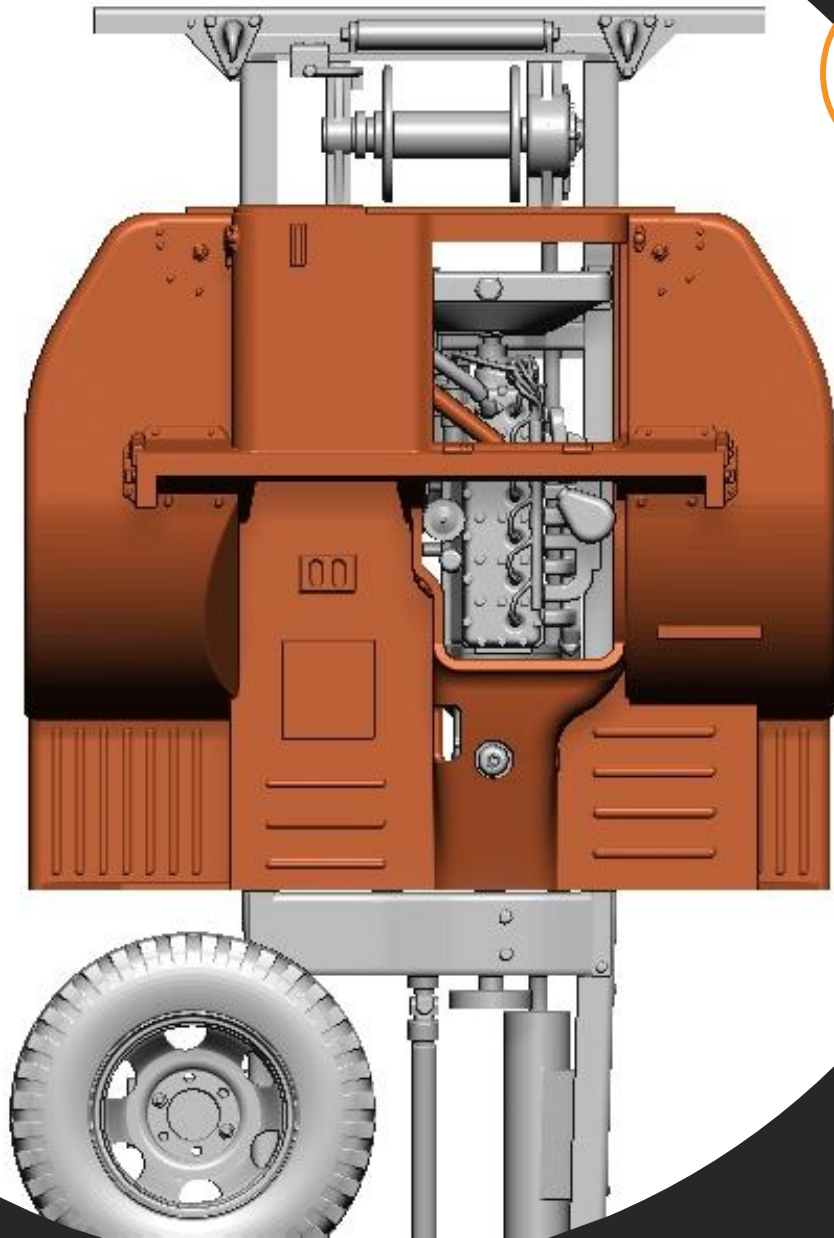
48A08



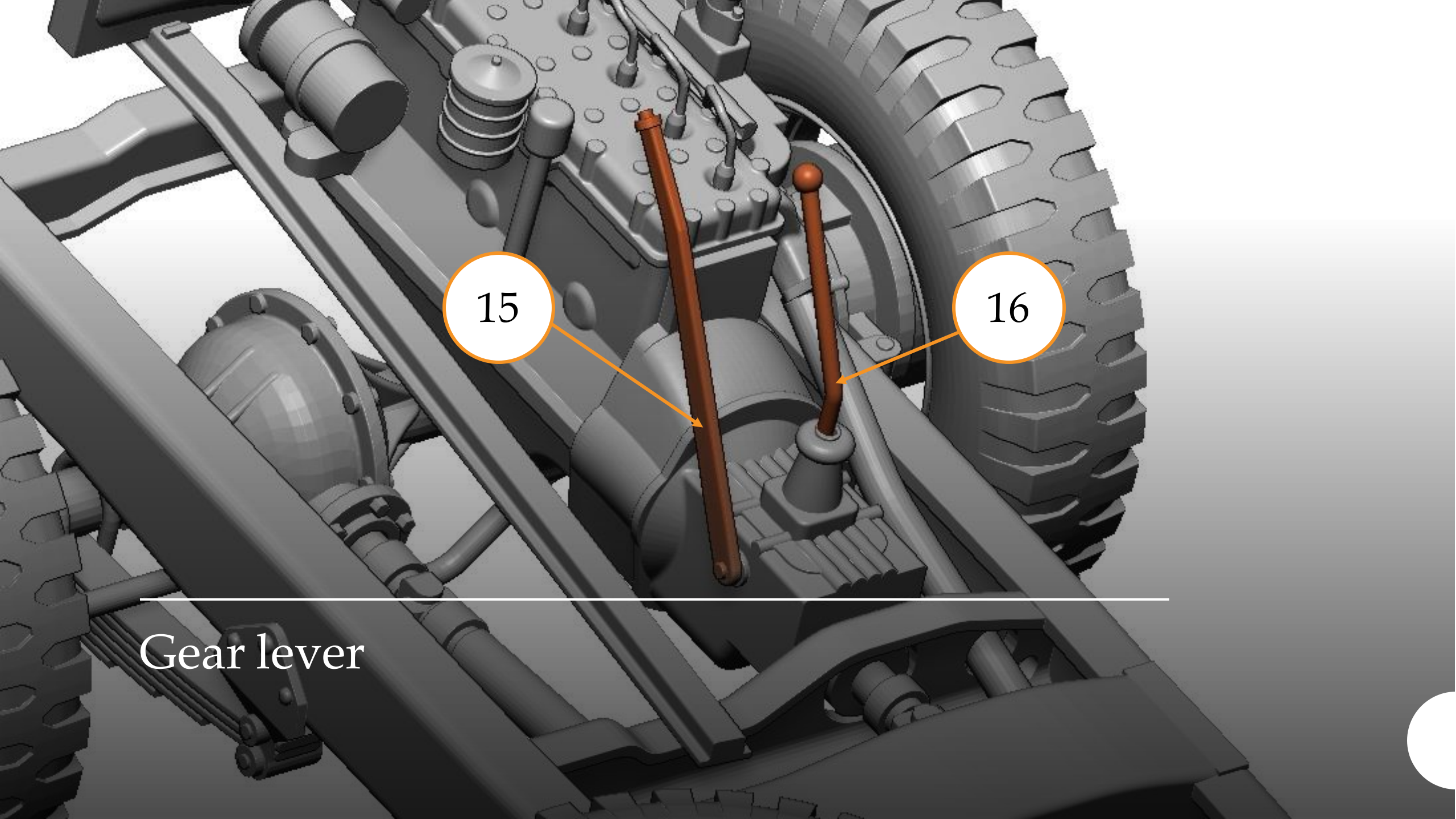
Chassis view



12



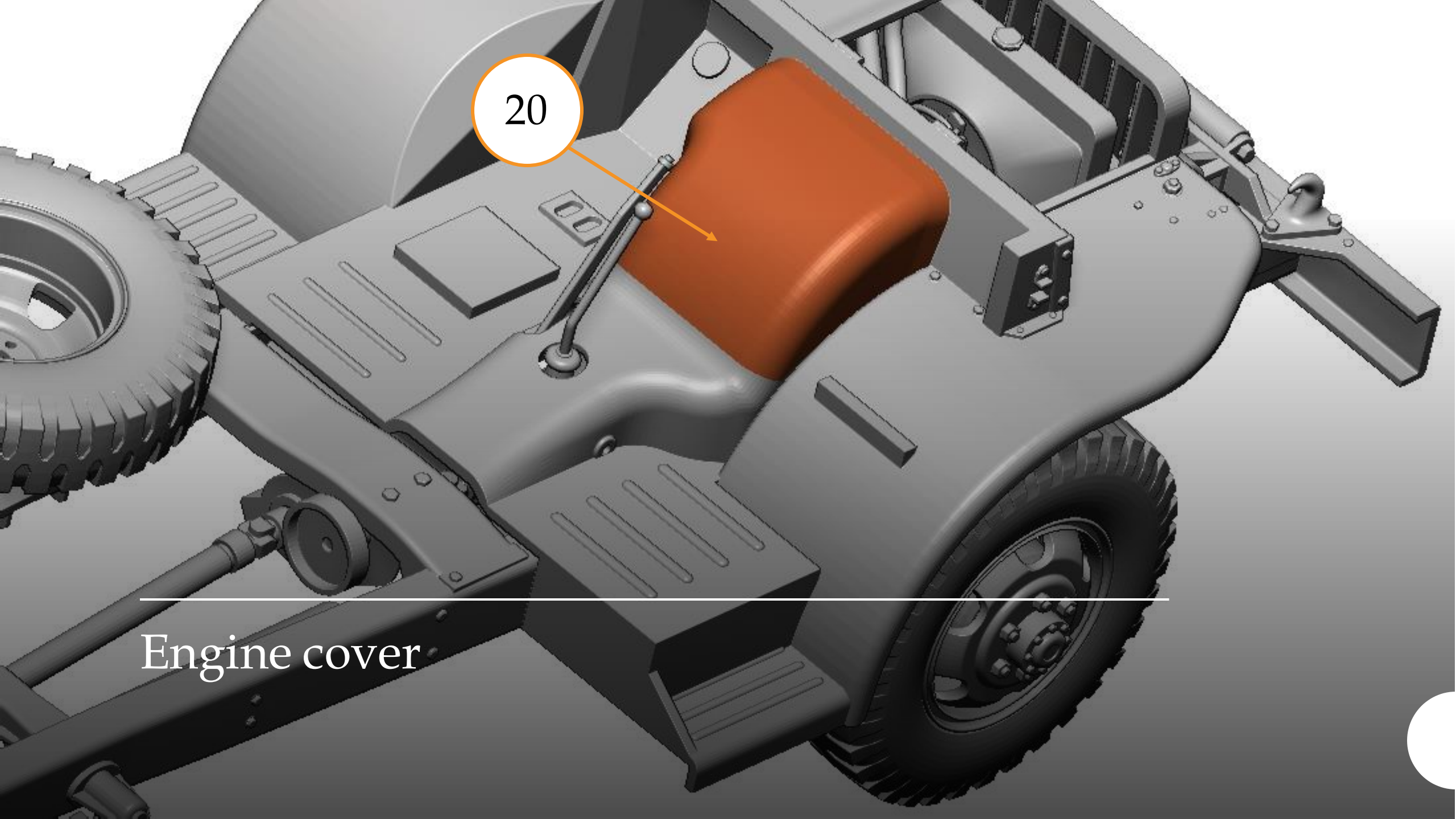
Body



15

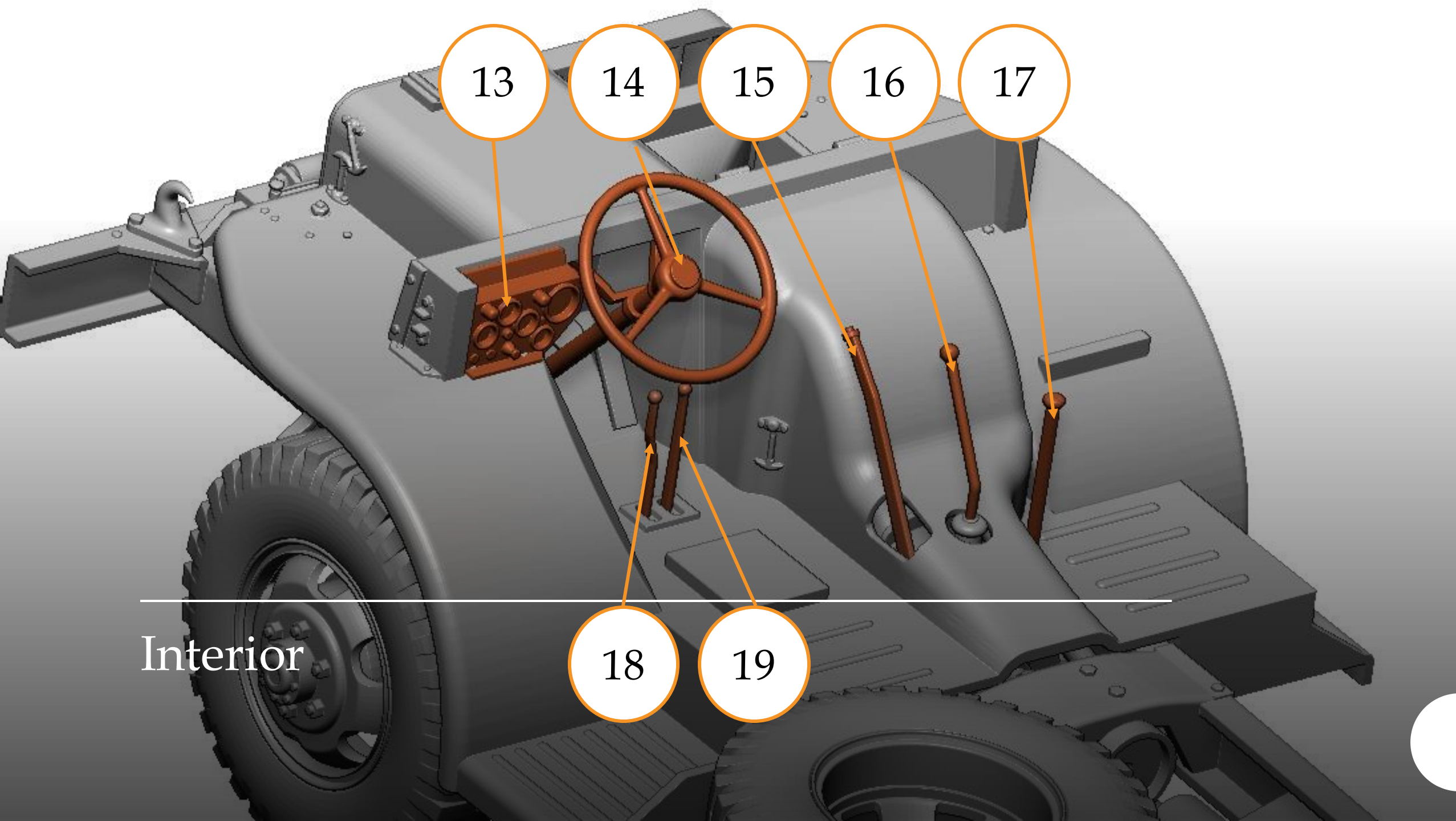
16

Gear lever



20

Engine cover



13

14

15

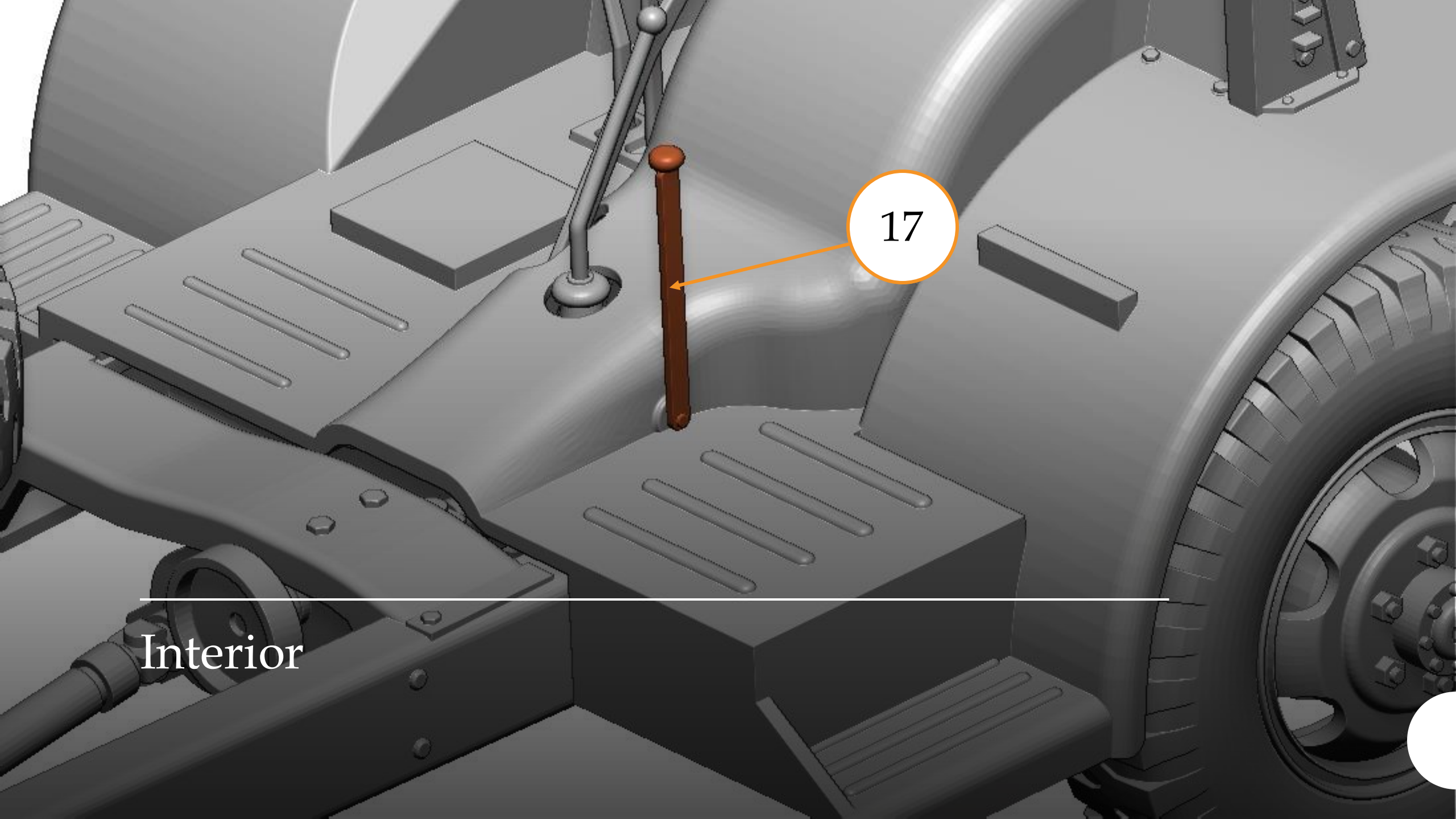
16

17

Interior

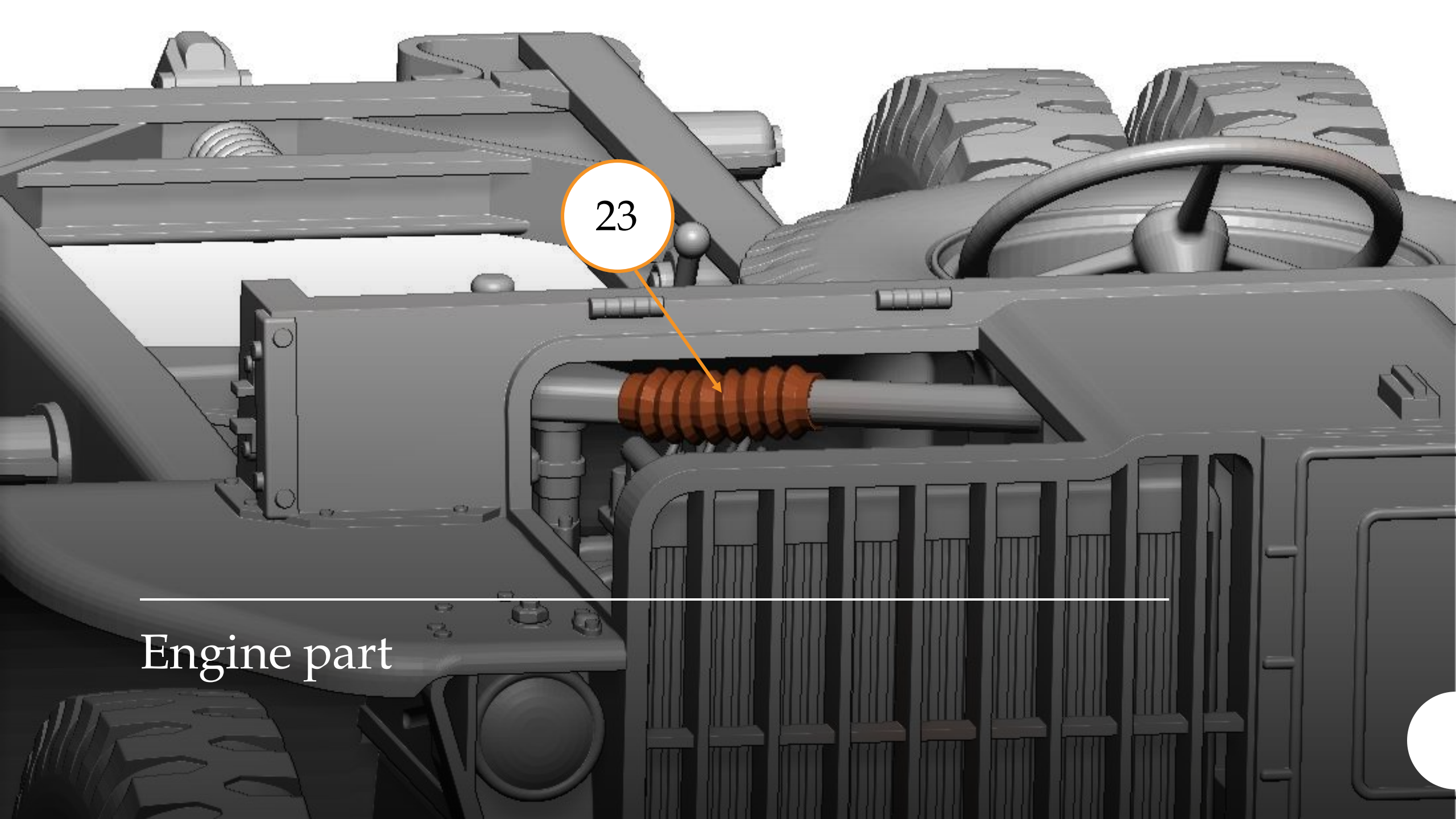
18

19



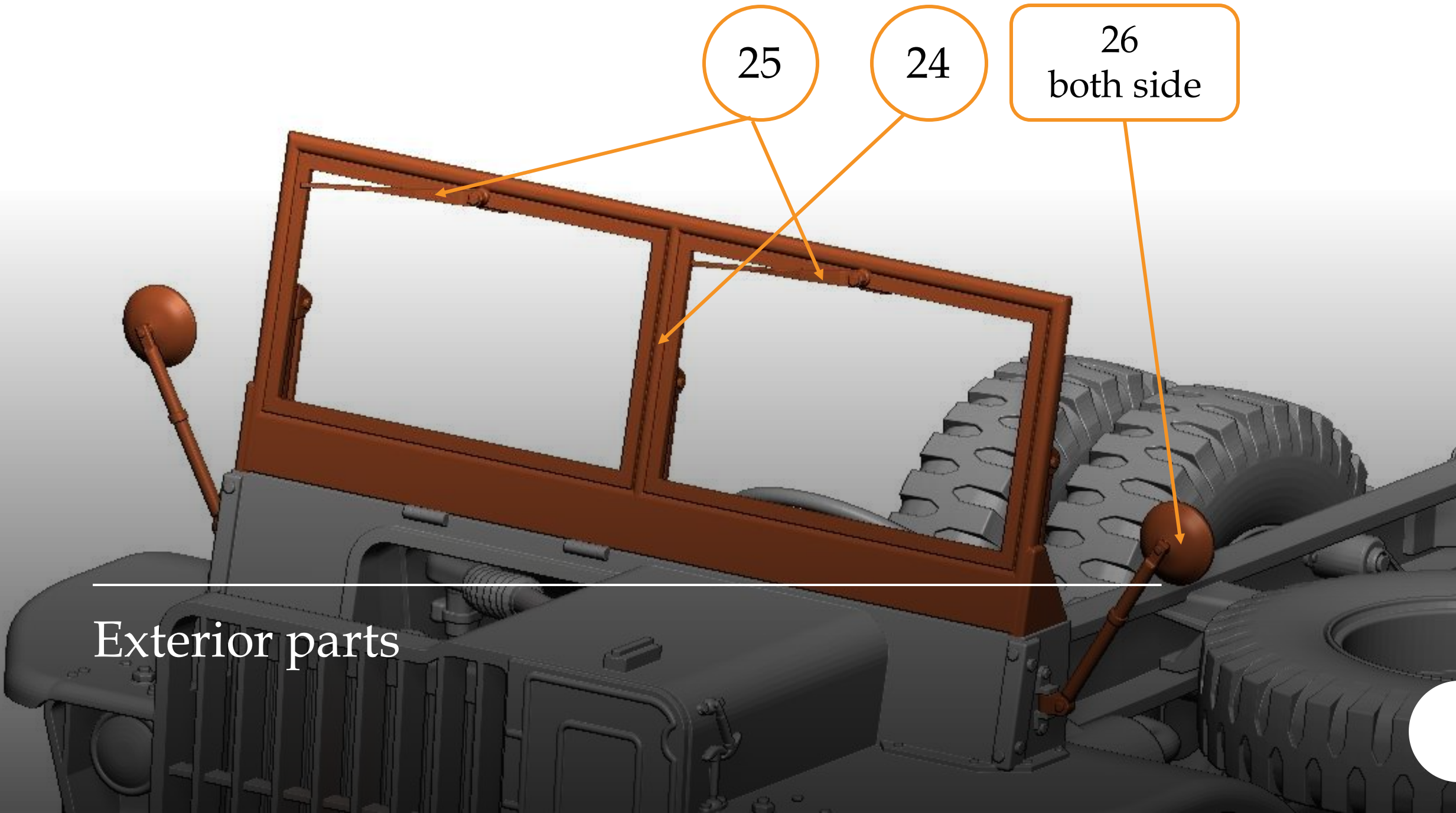
17

Interior



23

Engine part

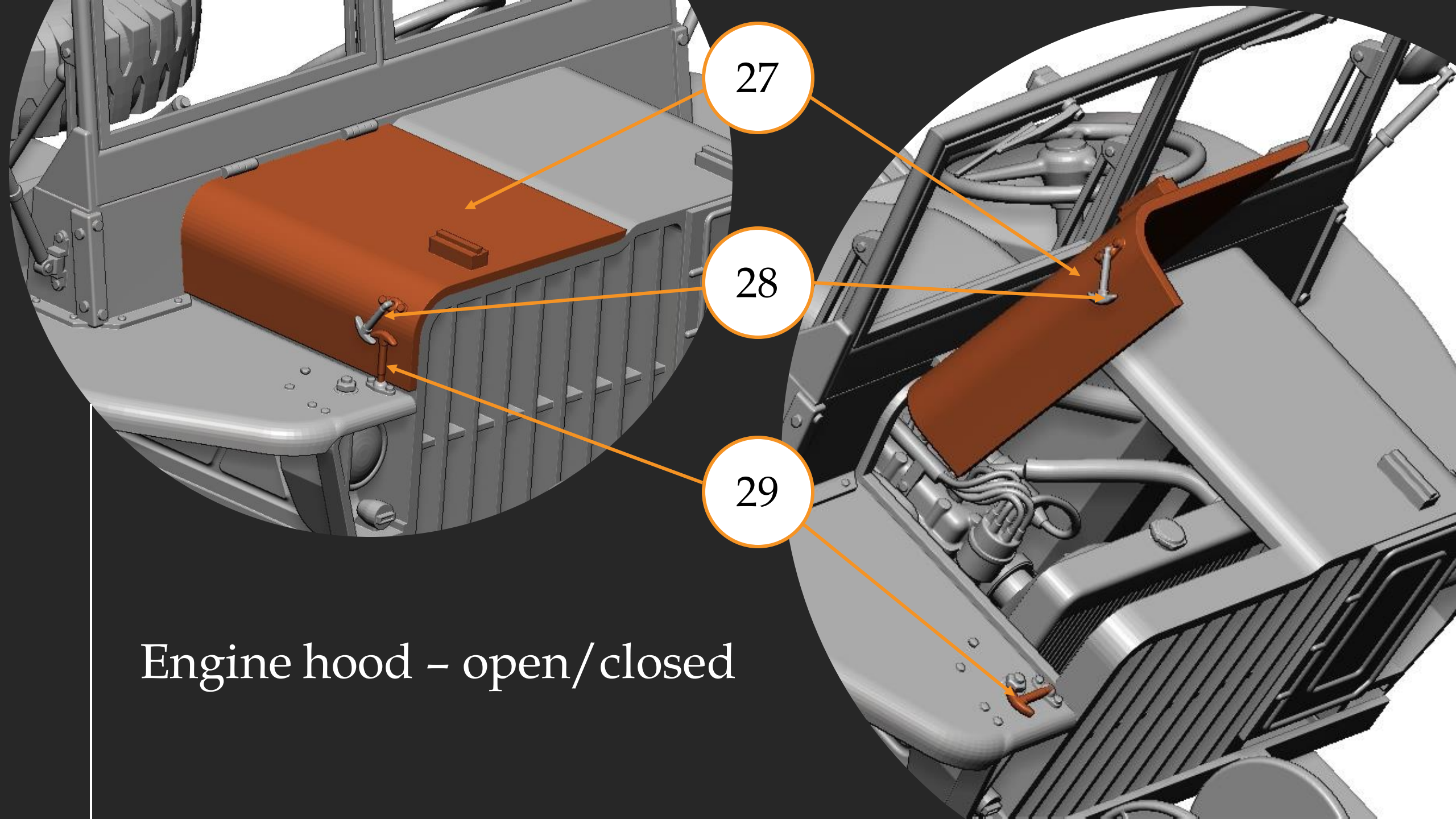


25

24

26
both side

Exterior parts



27

28

29

Engine hood – open/closed



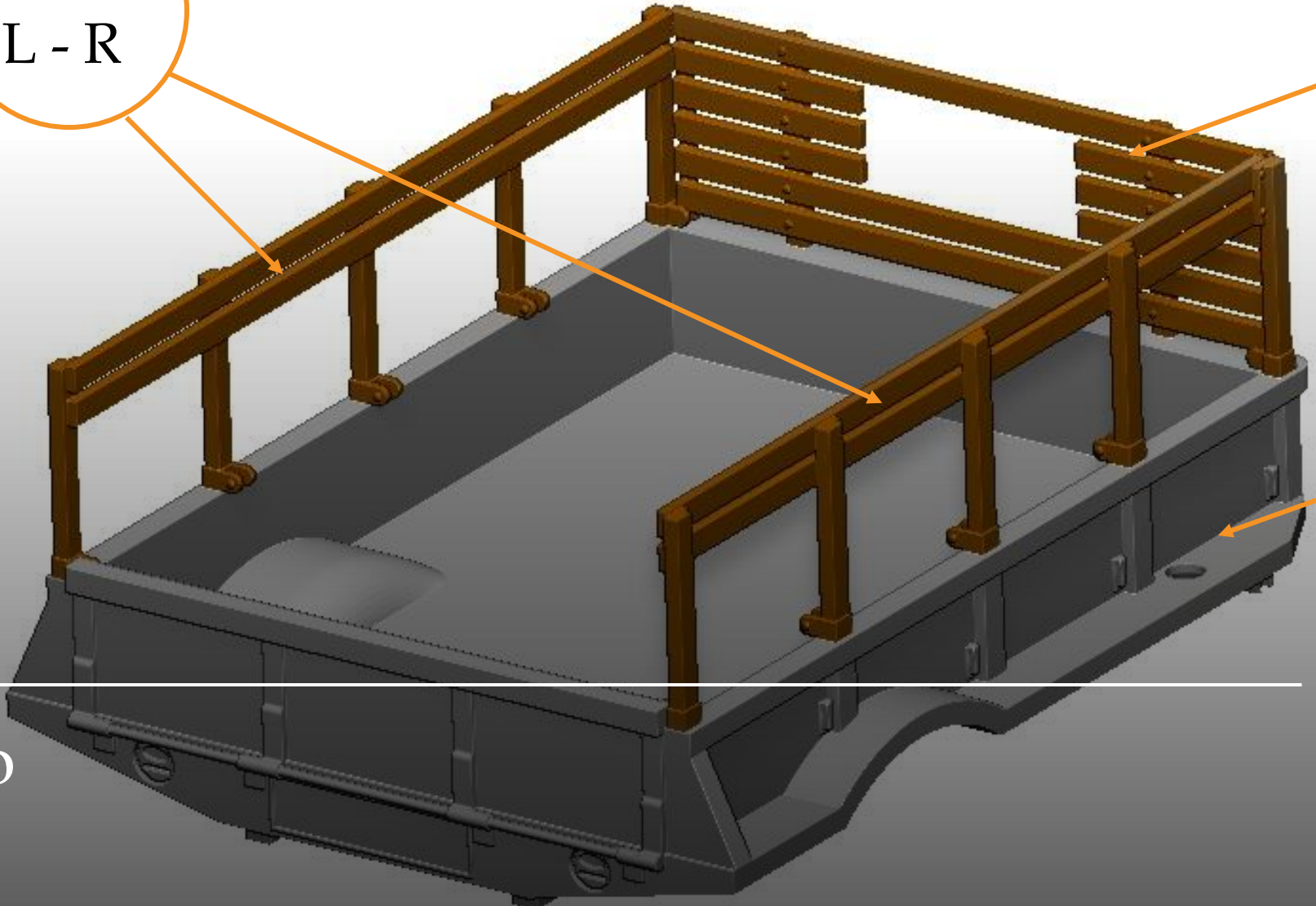
21

Driver seat

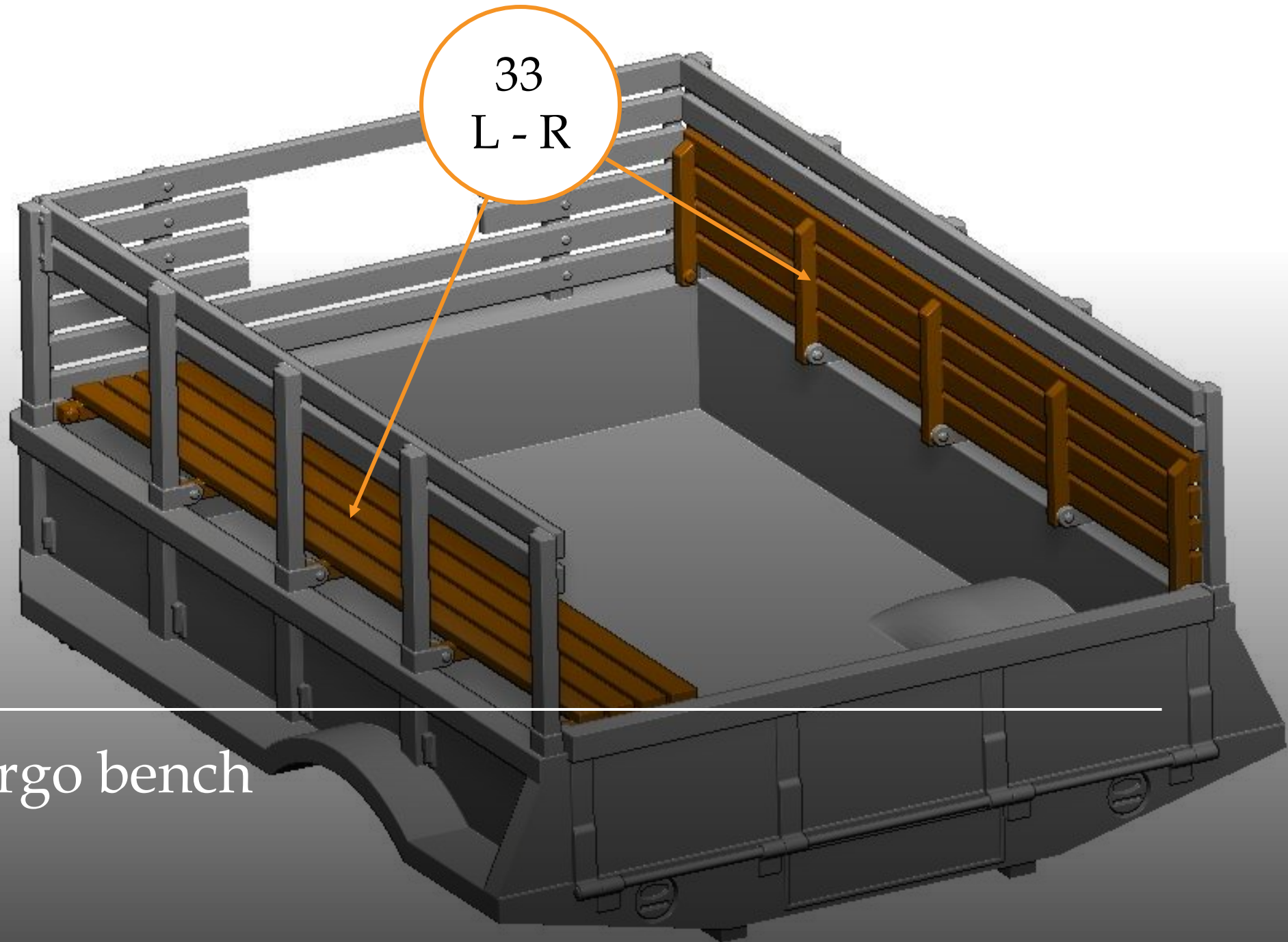
32
L - R

31

30

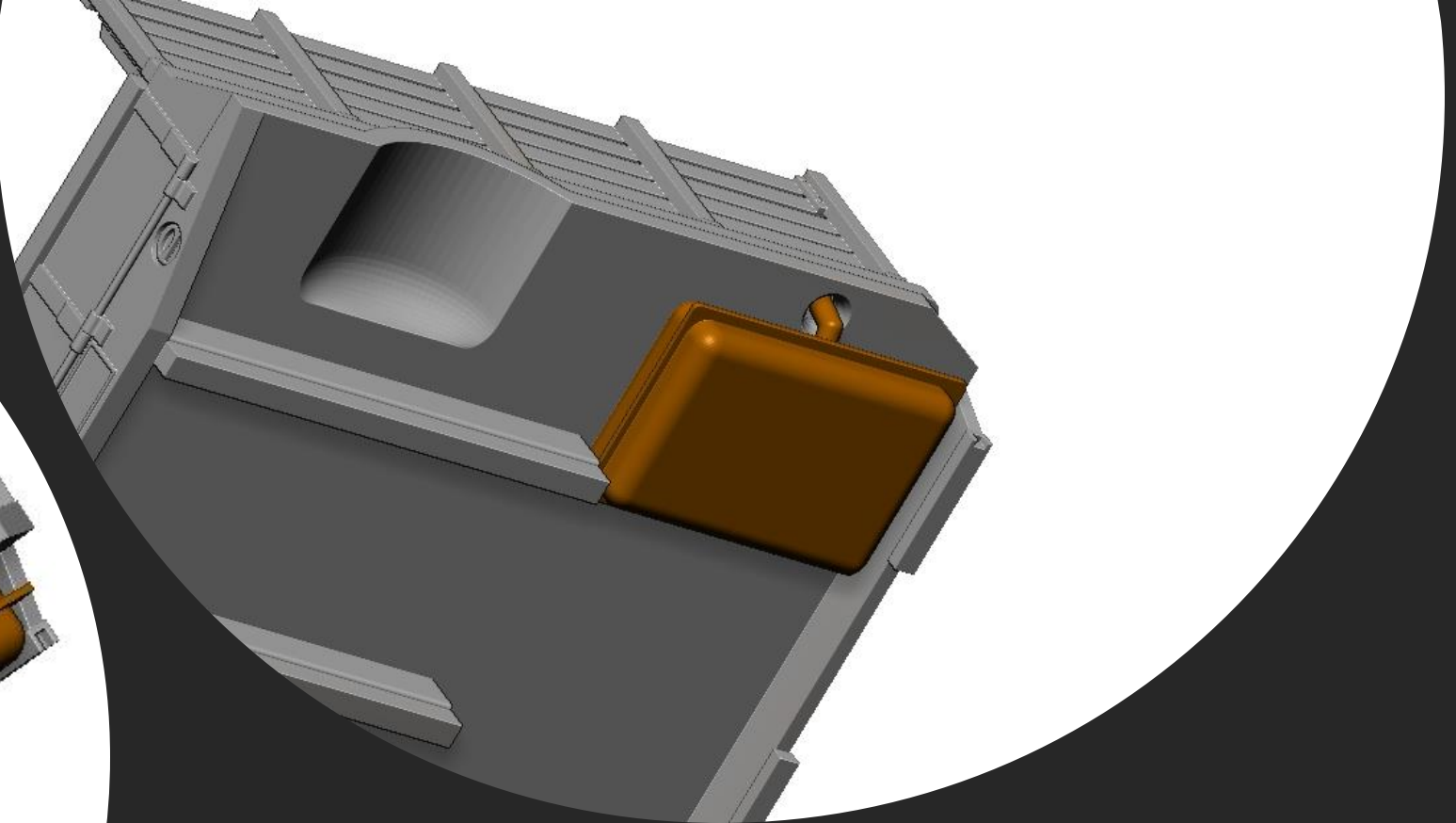
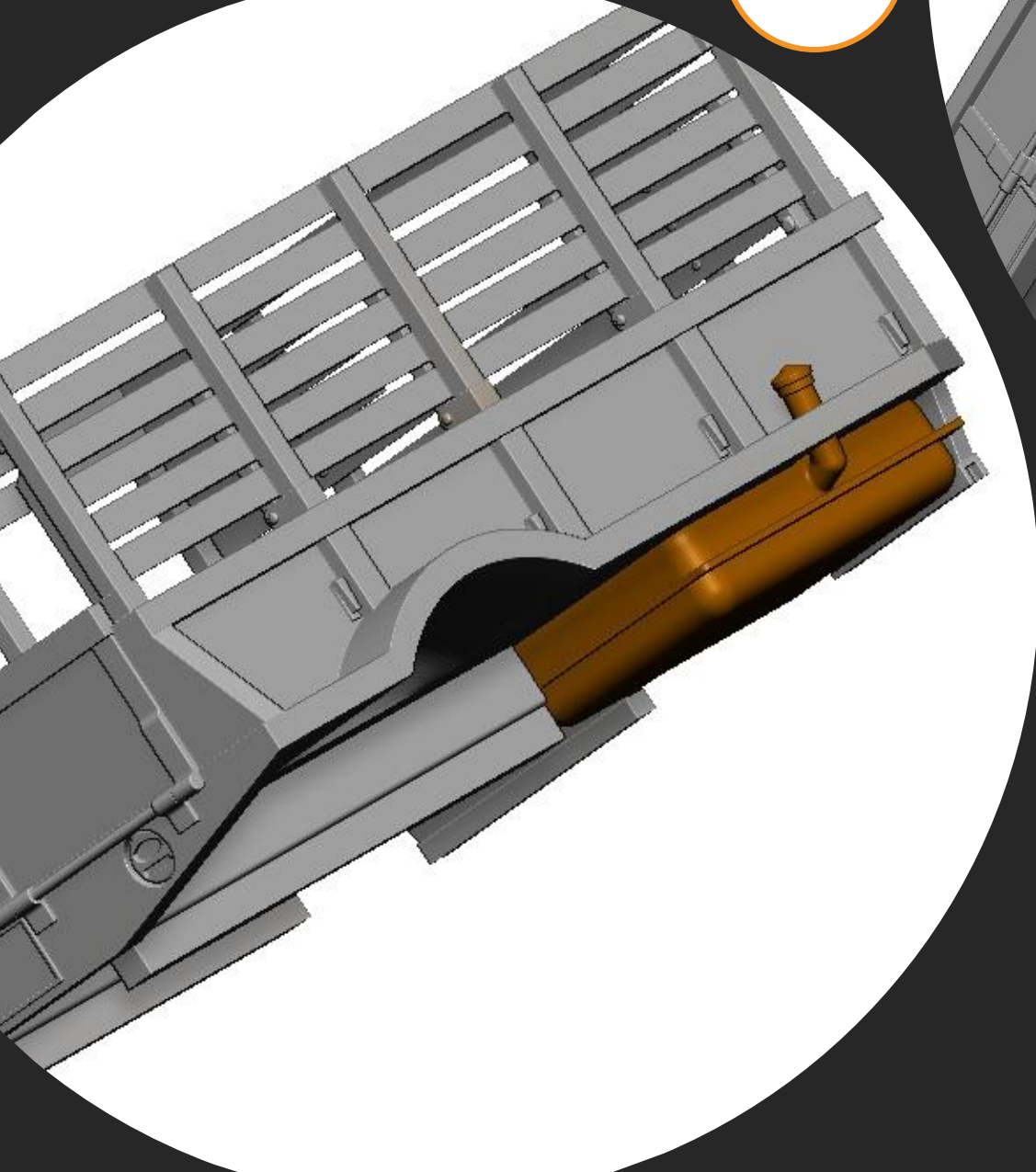


Cargo

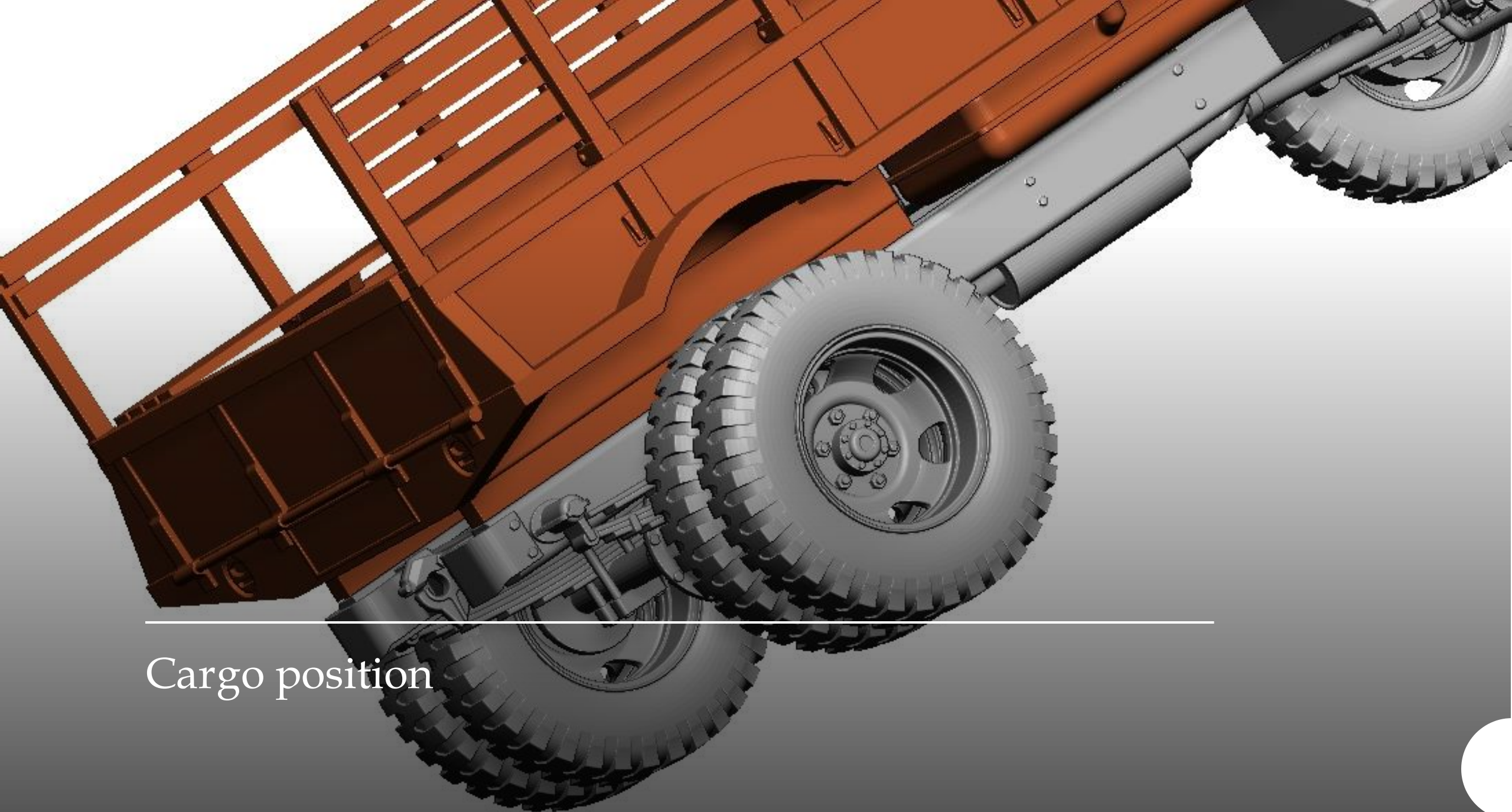


Cargo bench

34



Fuel tank



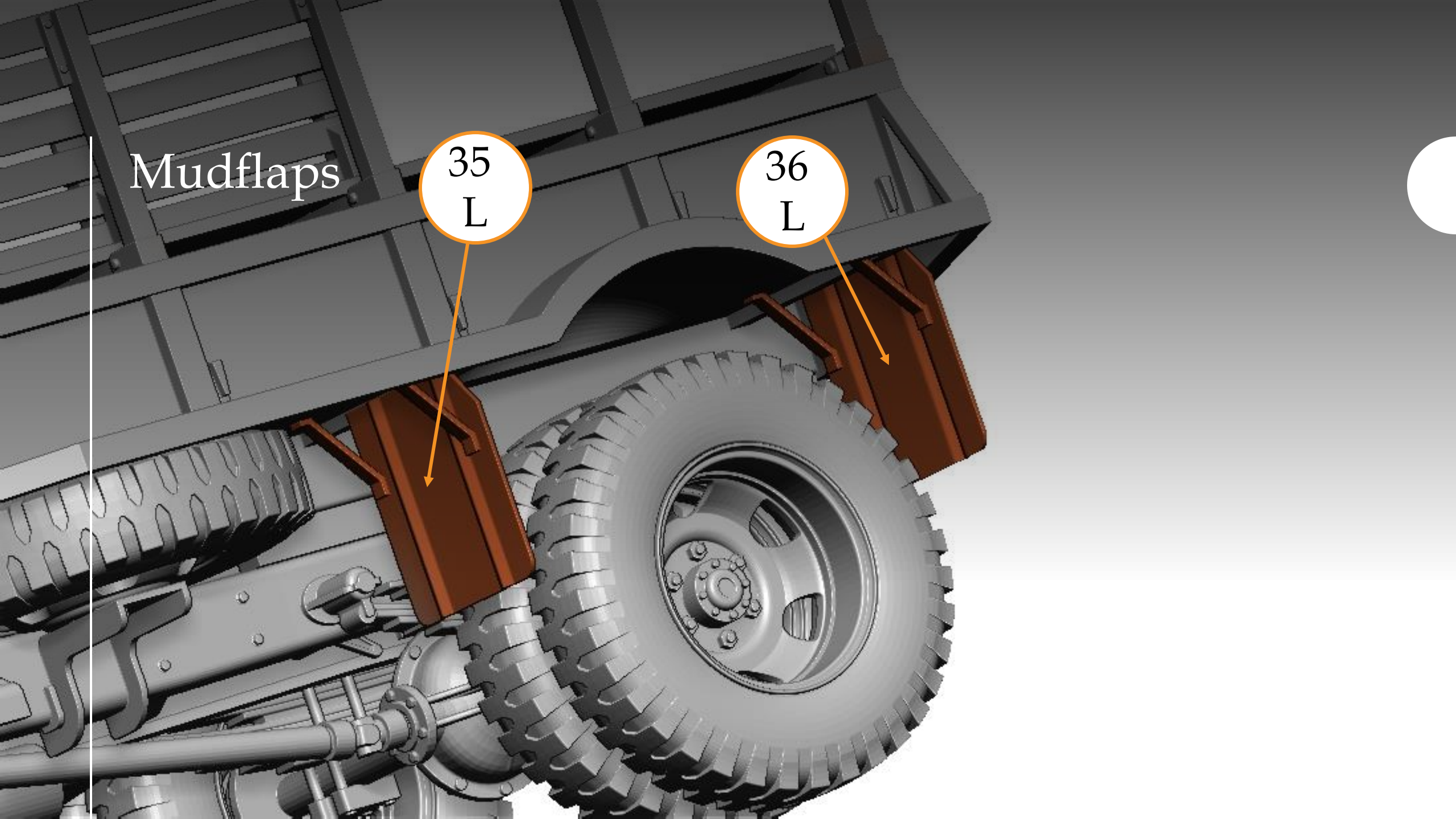
Cargo position

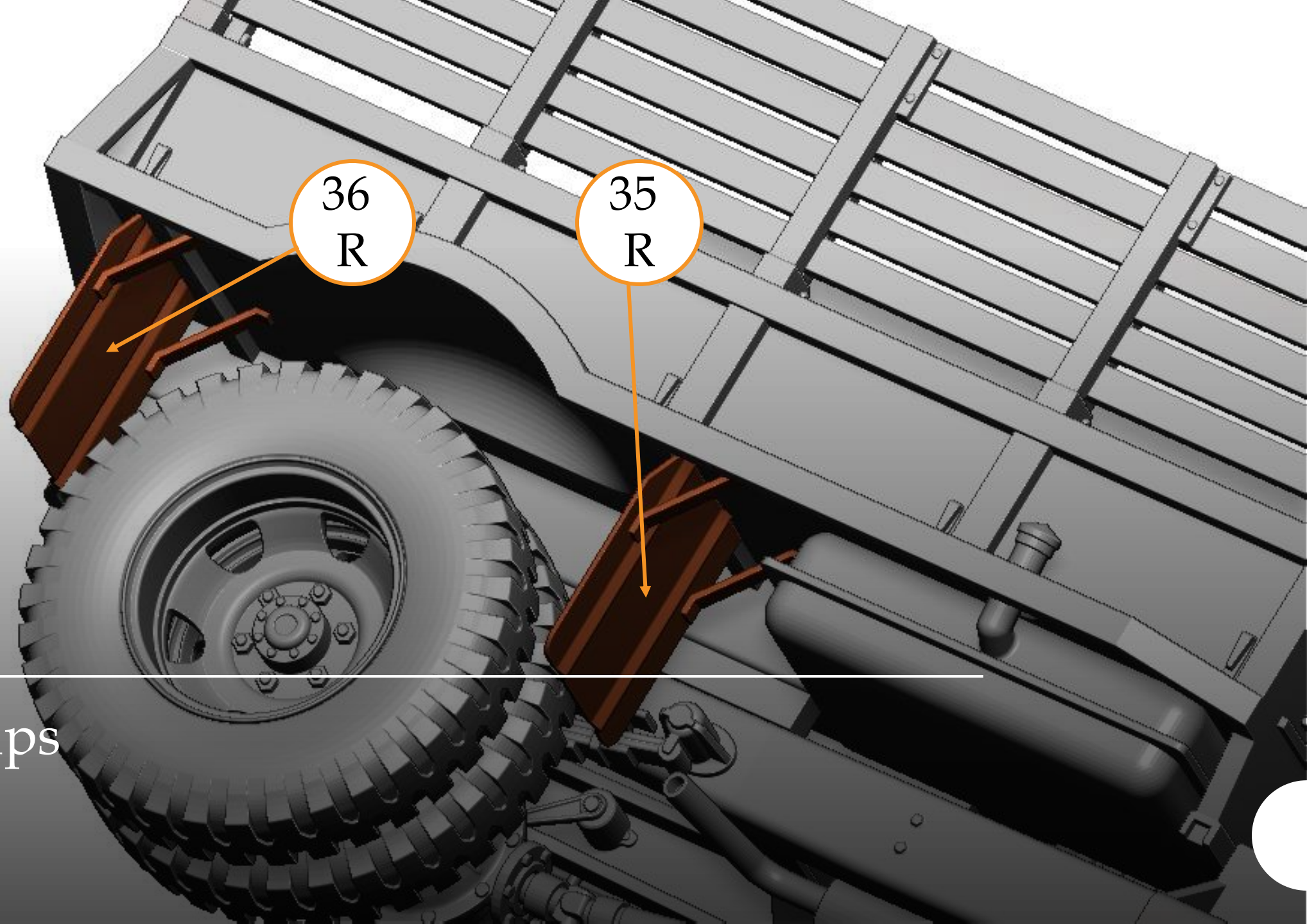


Mudflaps

35
L

36
L





Mudflaps

22

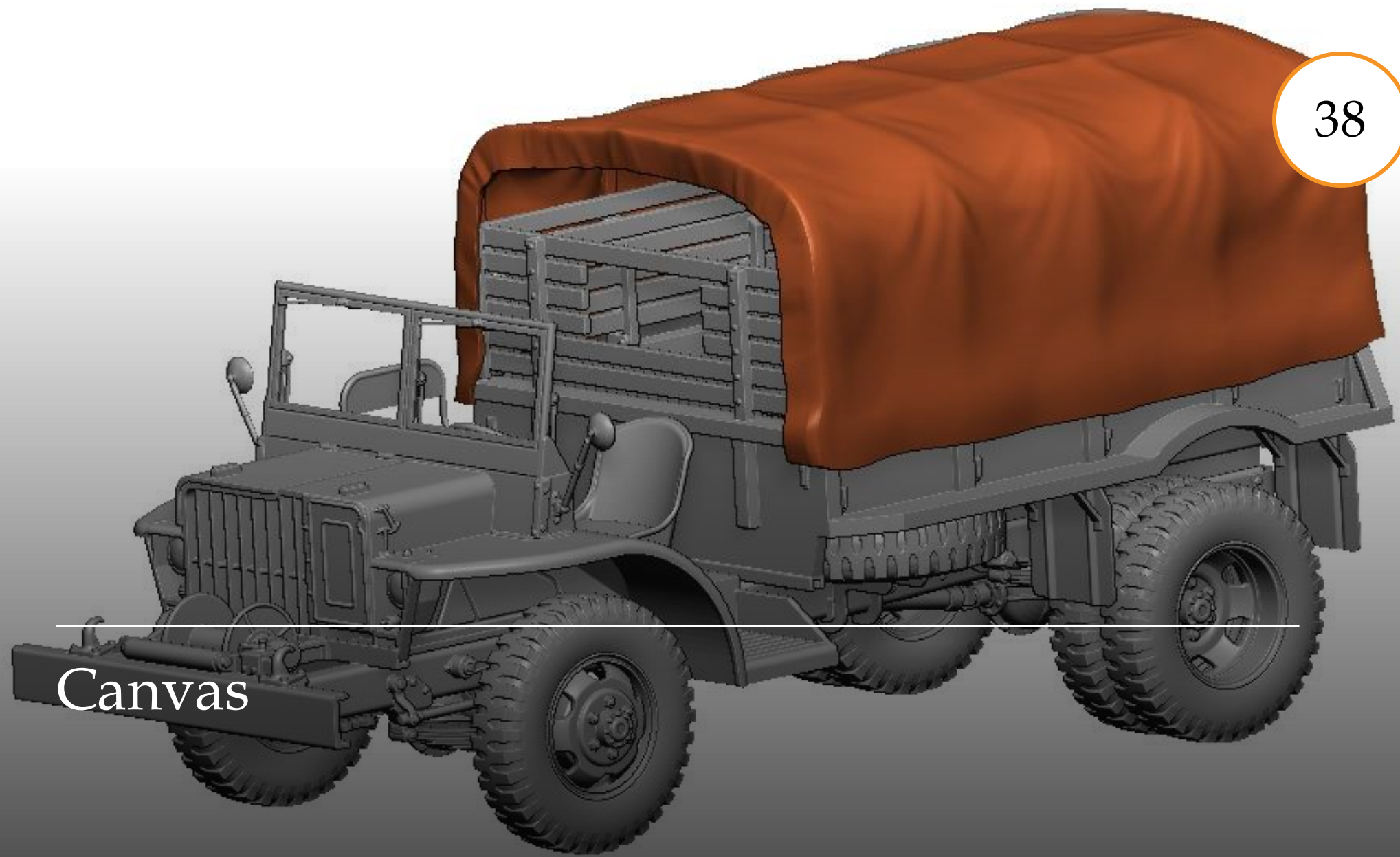


Passenger seat

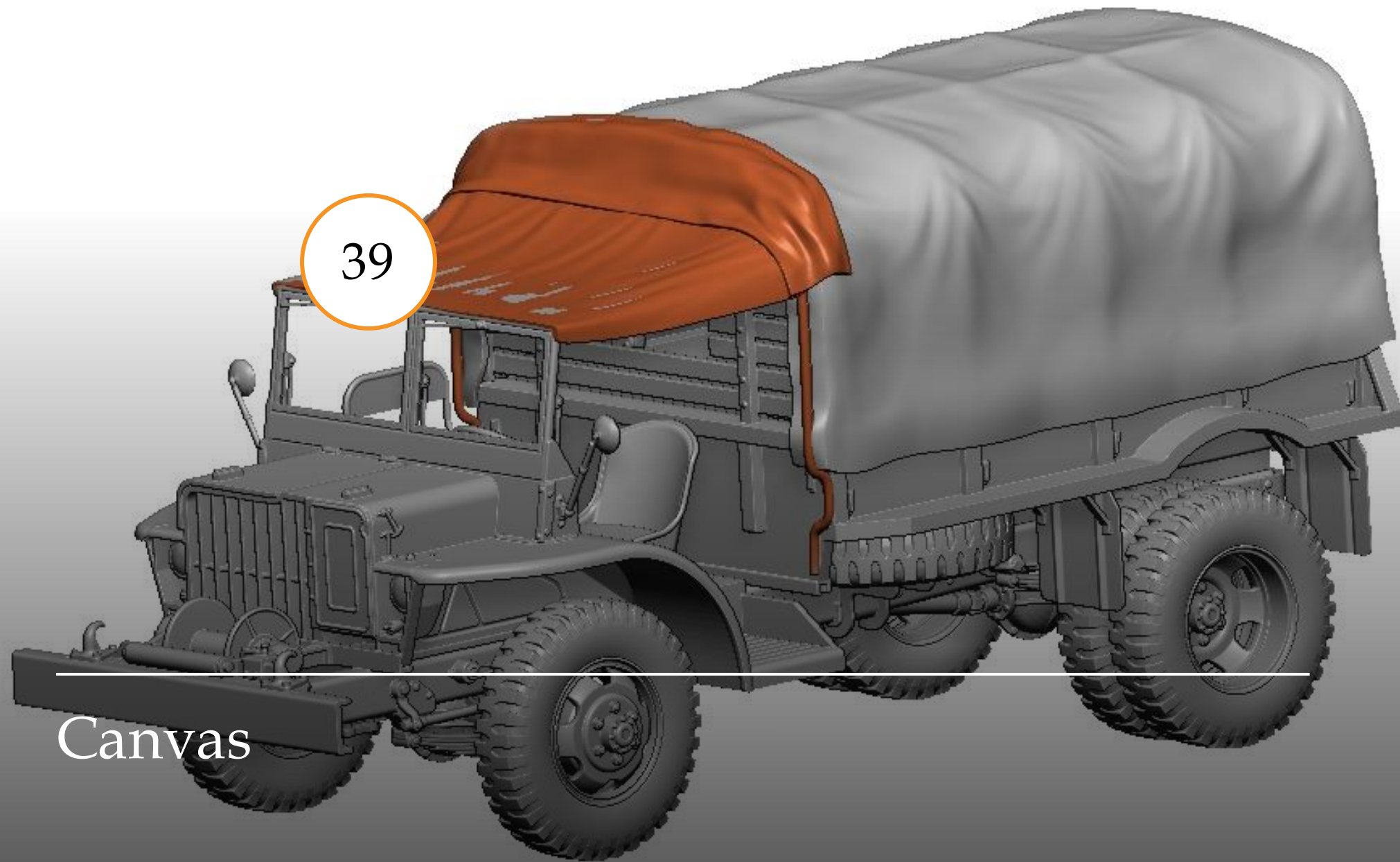
37

Cargo frame





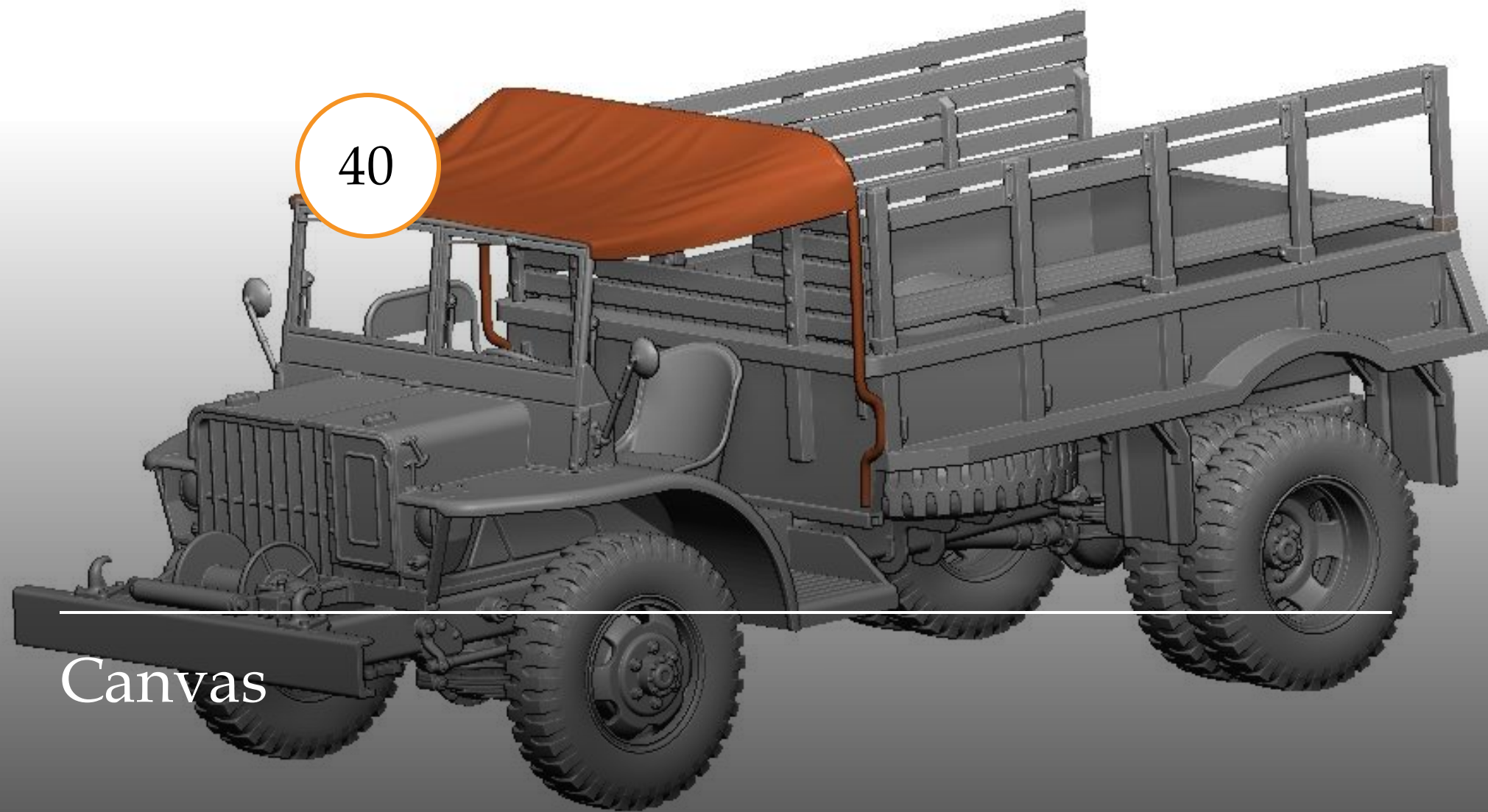
Canvas



39

Canvas

40



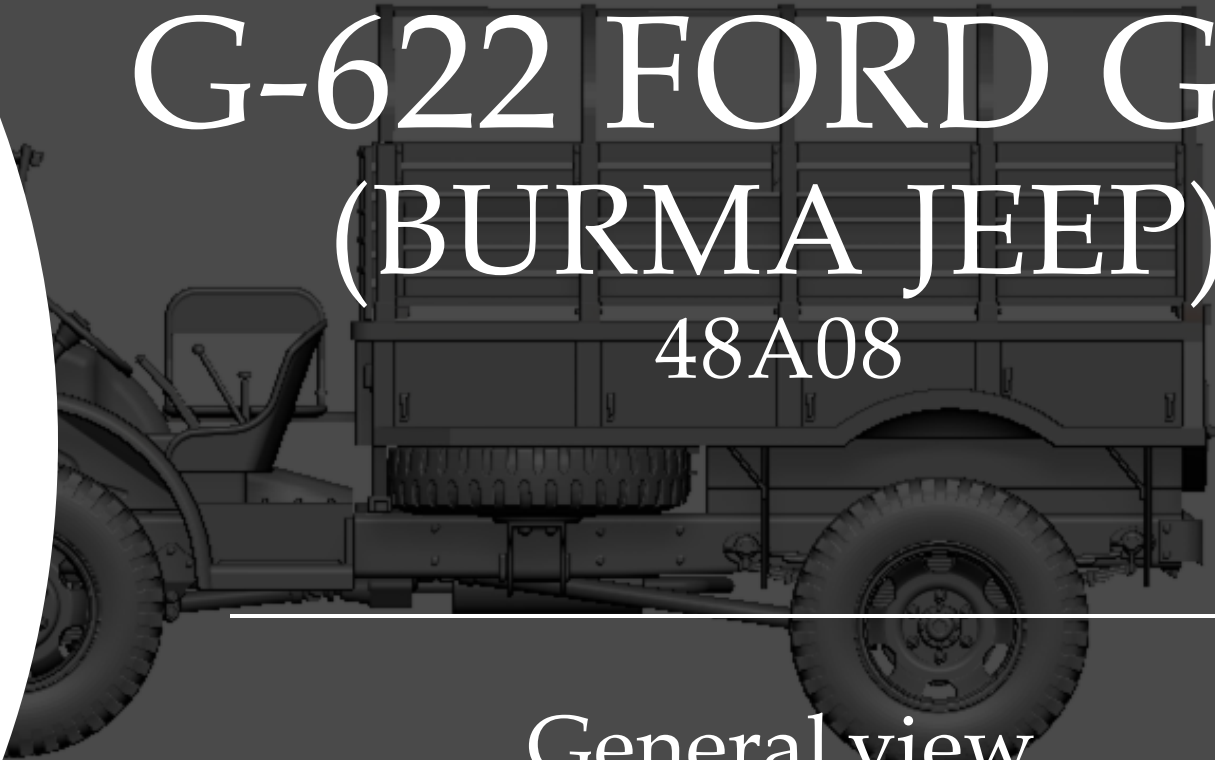
Canvas



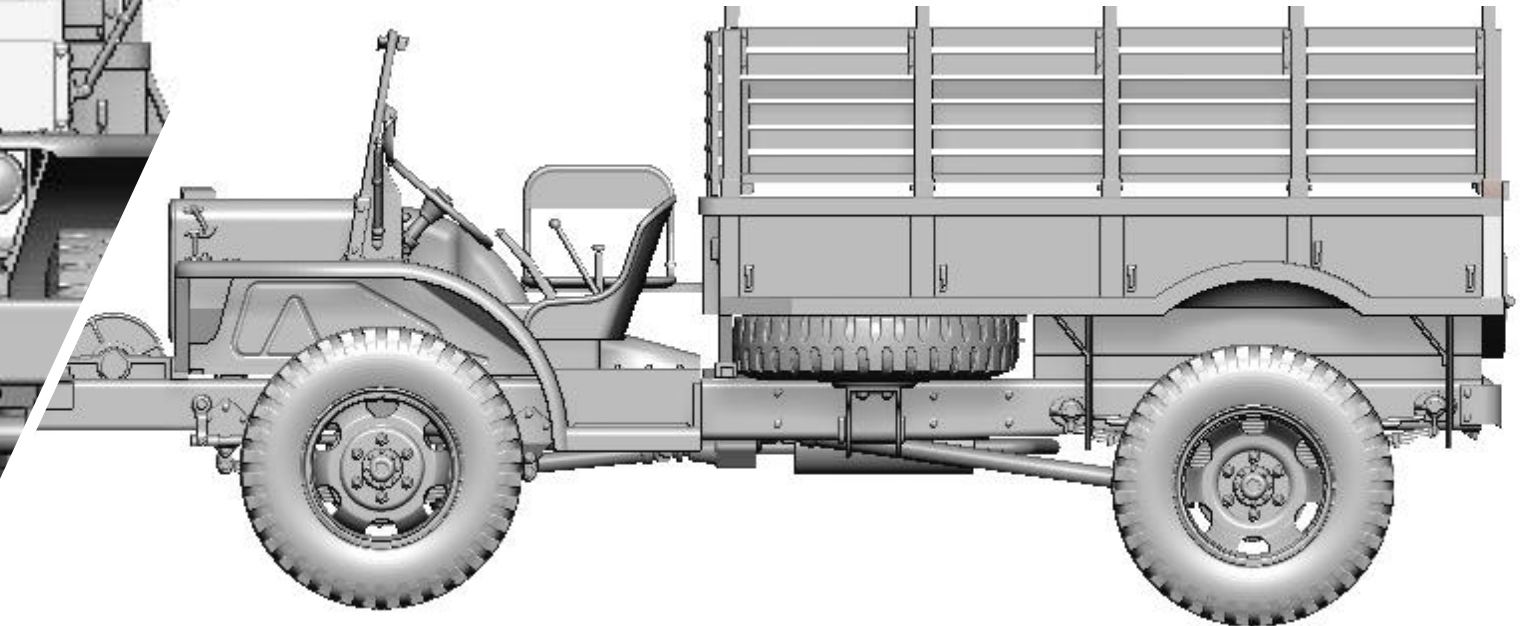
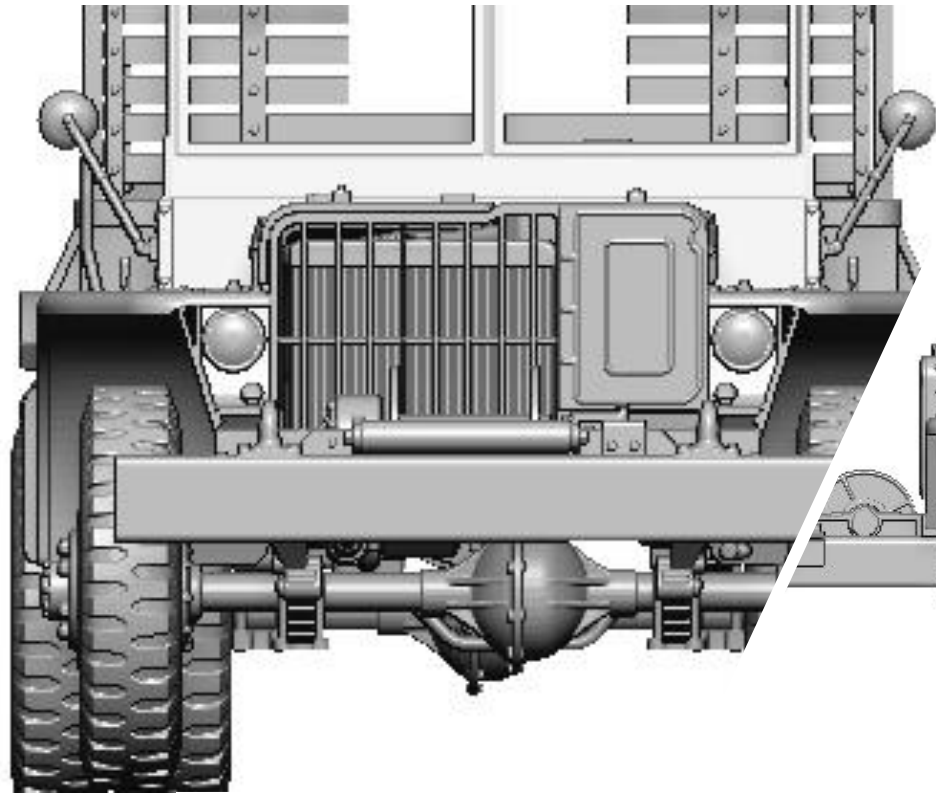
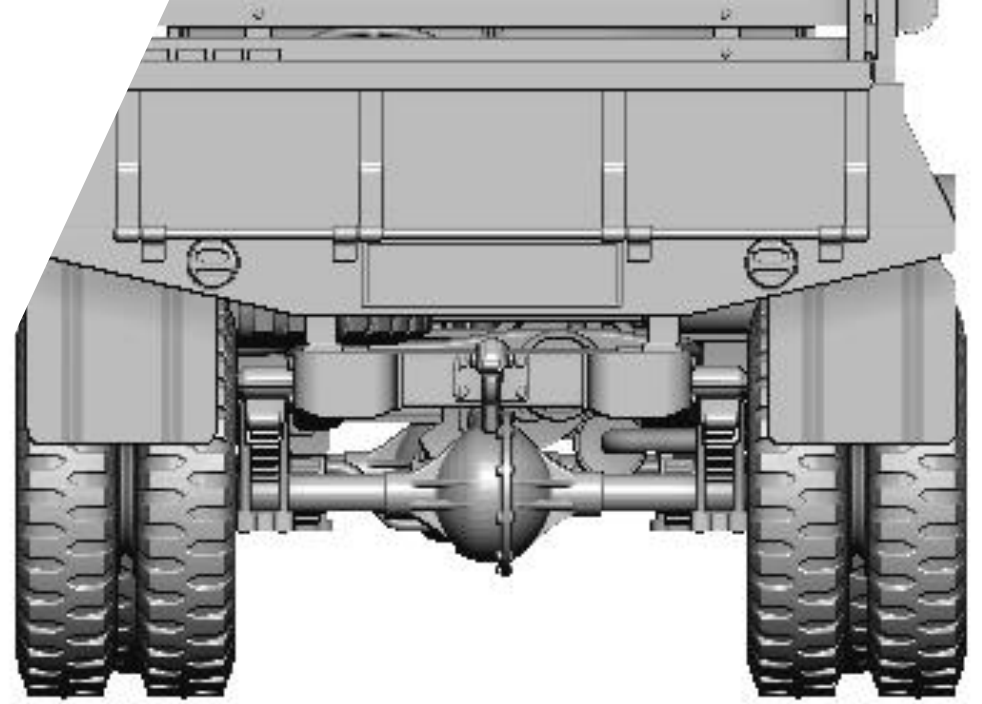
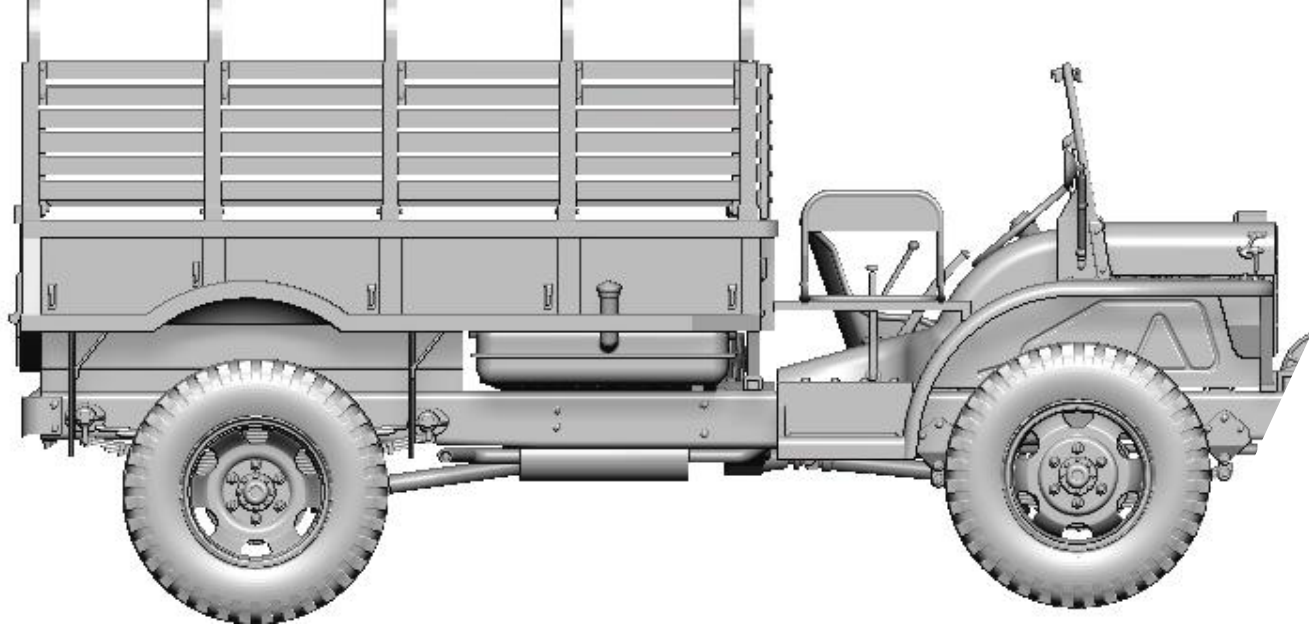
DOGFIGHT
WORKSHOP

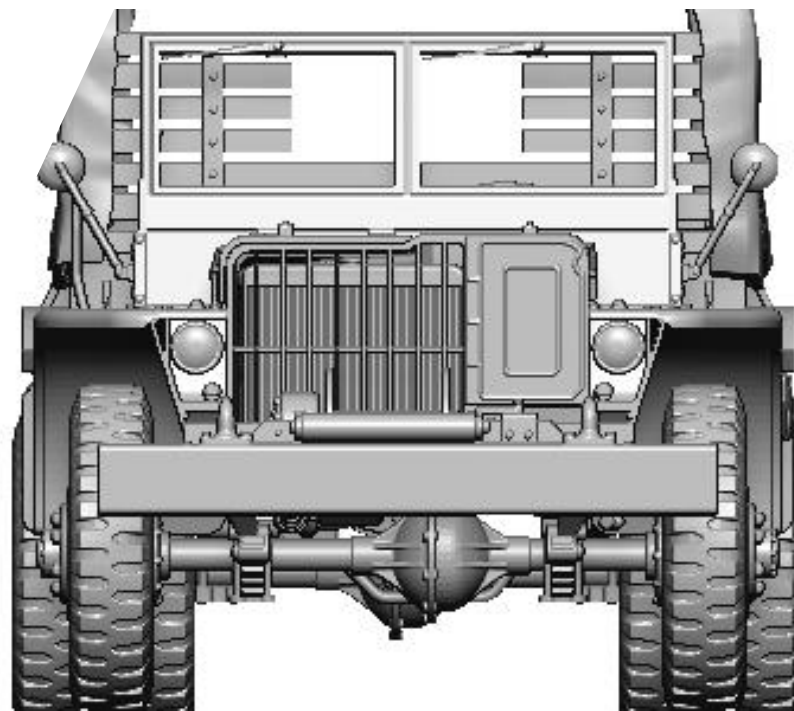
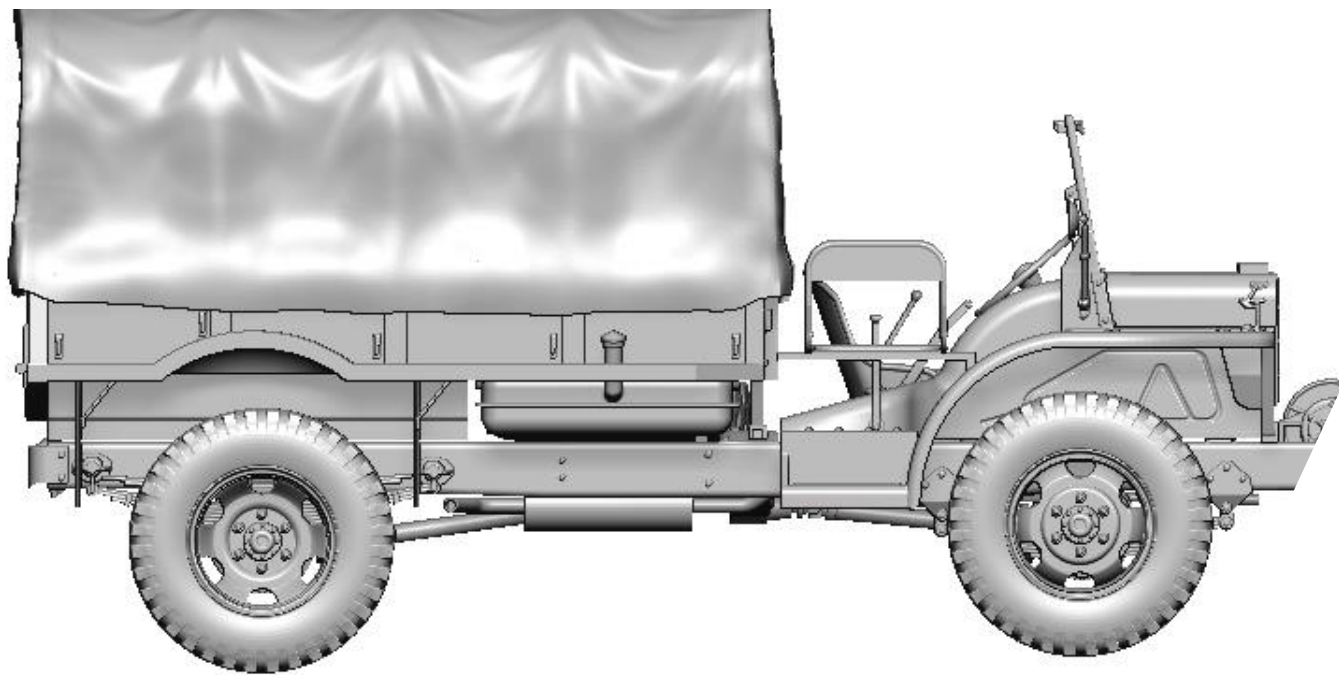
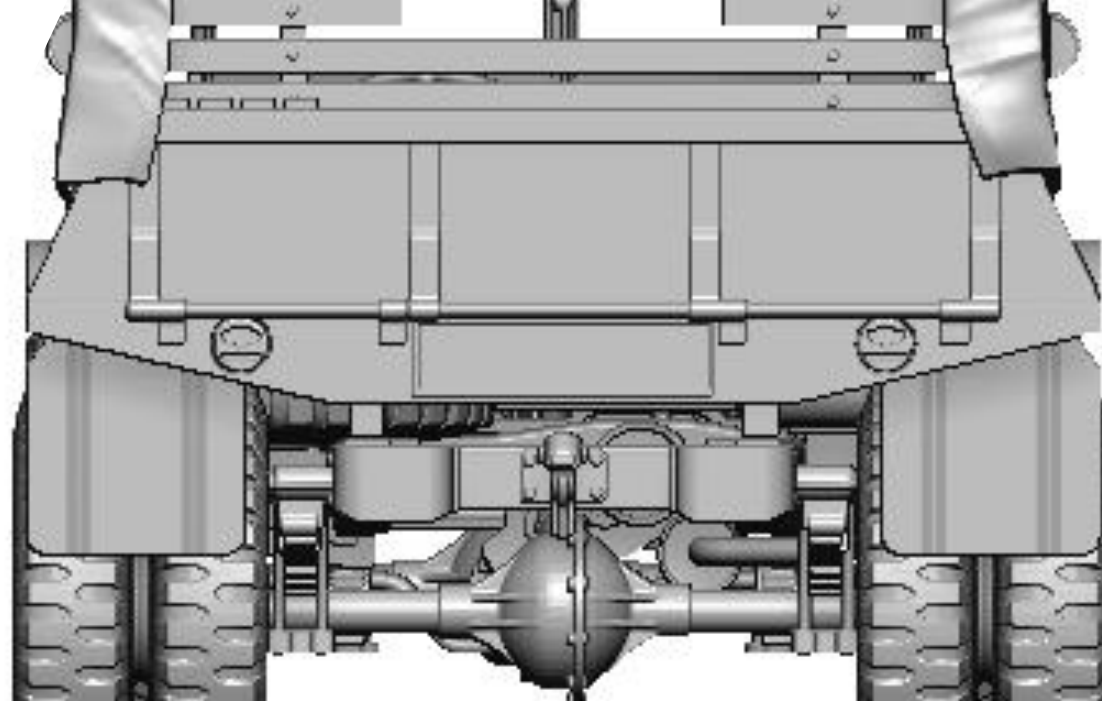
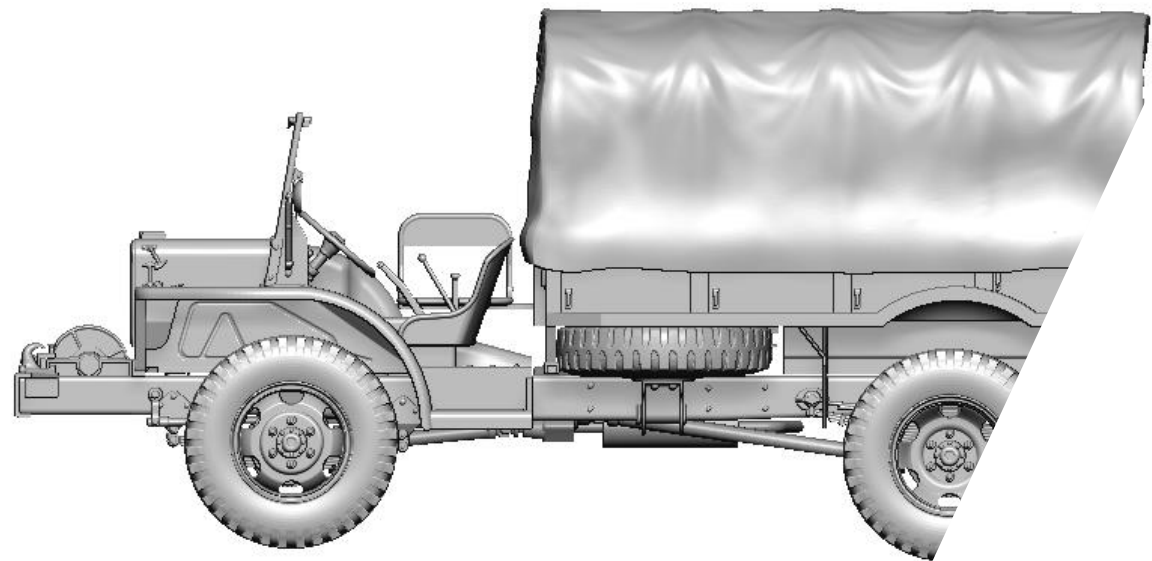
G-622 FORD GTB (BURMA JEEP)

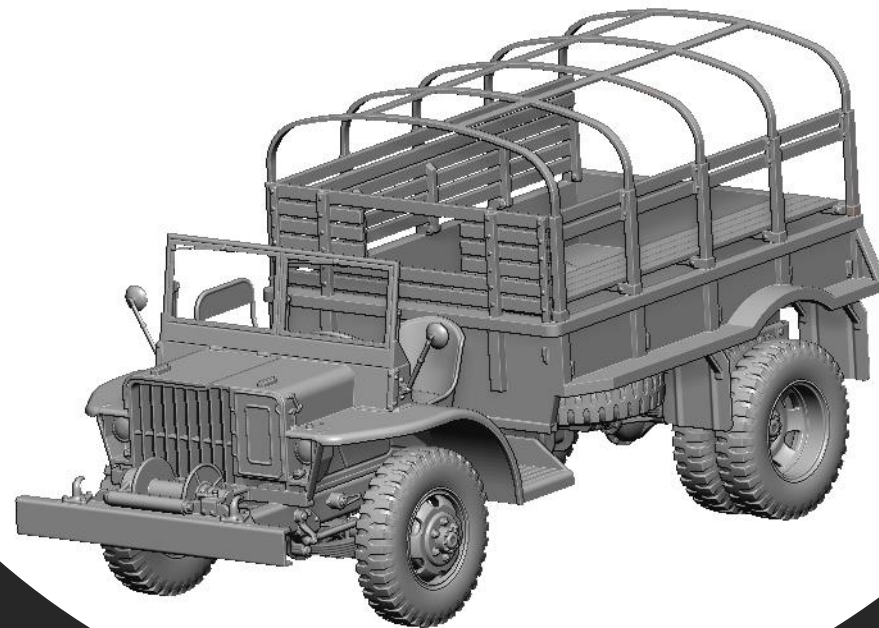
48A08



General view







G-622 Ford GTB (Burma Jeep)
1-1/2 Ton Truck



DOGFIGHT
WORKSHOP

Thank you for choosing our product. With each subsequent one we make every effort to make our models better and better.

Happy Modelling

Dogfight Workshop Team

dogfightworkshop@gmail.com