



DOGFIGHT
WORKSHOP

DODGE WC 62/63*

U.S. Military 1-1/2 Ton Truck

scale 1/48

Full 3D printed

**1/48 Military Miniature Series No.:*

- DODGE WC62 U.S. Military 1-1/2 Ton Truck: 48A02

- DODGE WC63 U.S. Military Gun Truck: 48A06

Overall Length 116mm

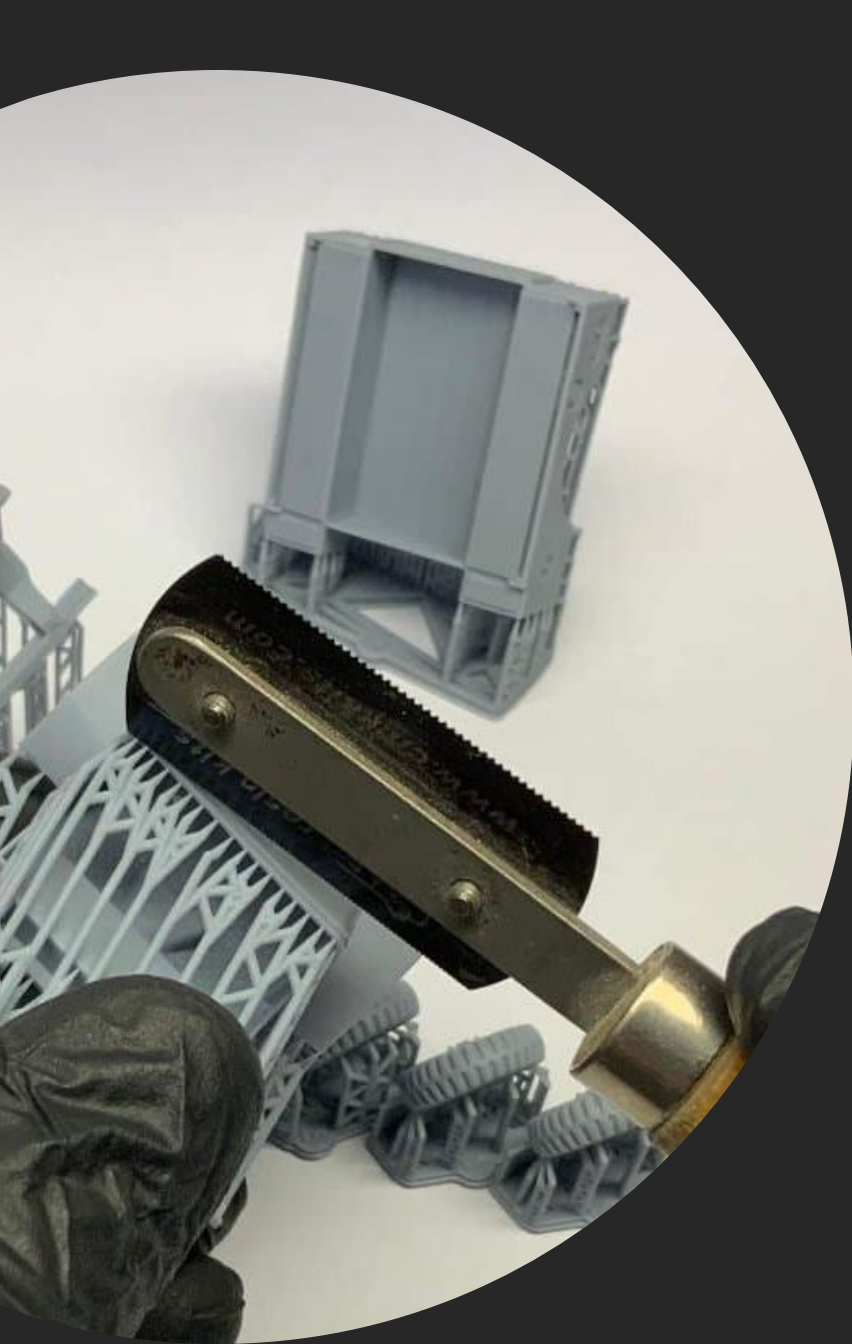


DOGFIGHT
WORKSHOP

Thank you for choosing our product.
Our models are made in
3D printing technology from
photopolymer resins.

Below are some steps, tips and tricks
on how to prepare our product
for building.

Happy Modelling !



A few tips and tricks how to prepare our models

- 1 - *Cutting off printing supports ...*
 - *modelling knife*
 - *modelling cutter*
 - *modelling saw*



- 2 - Grinding and sanding ...
- modelling grinding wool
 - modelling sponge
 - modelling file

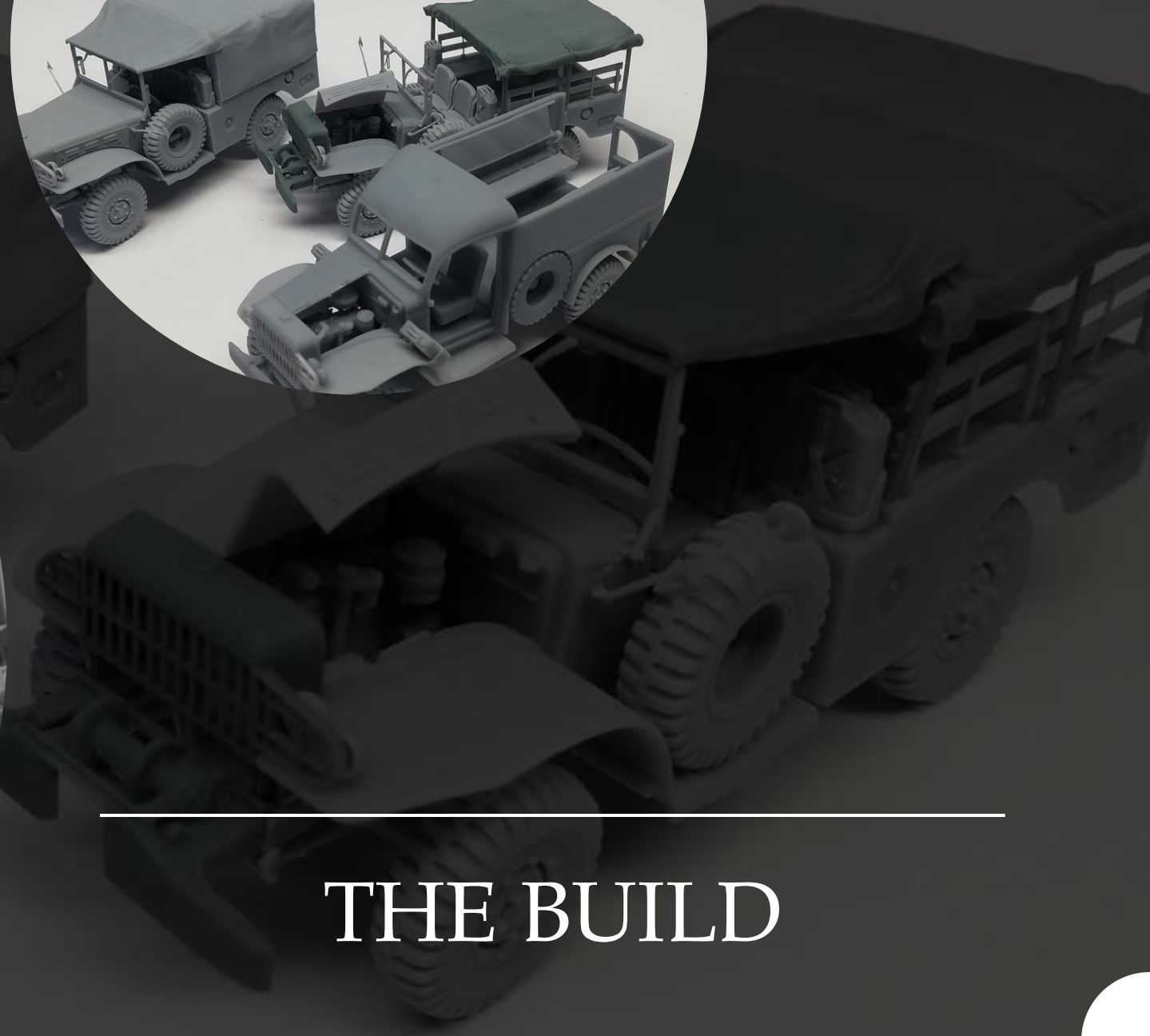
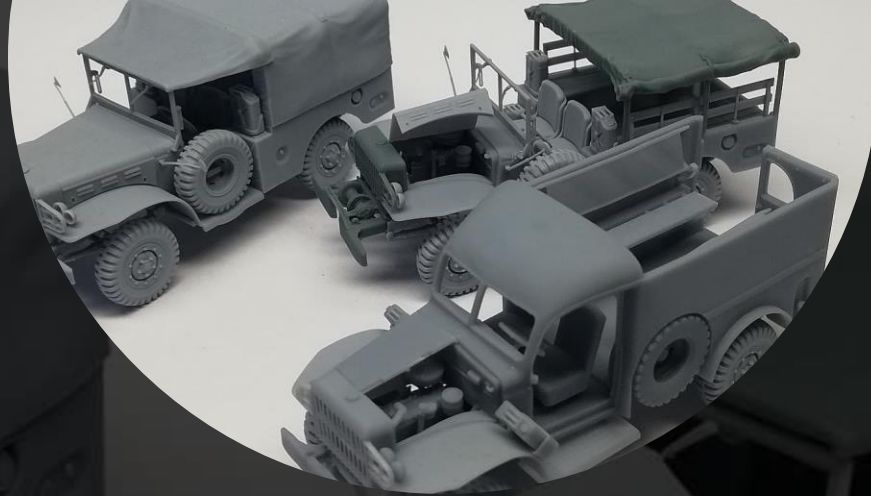
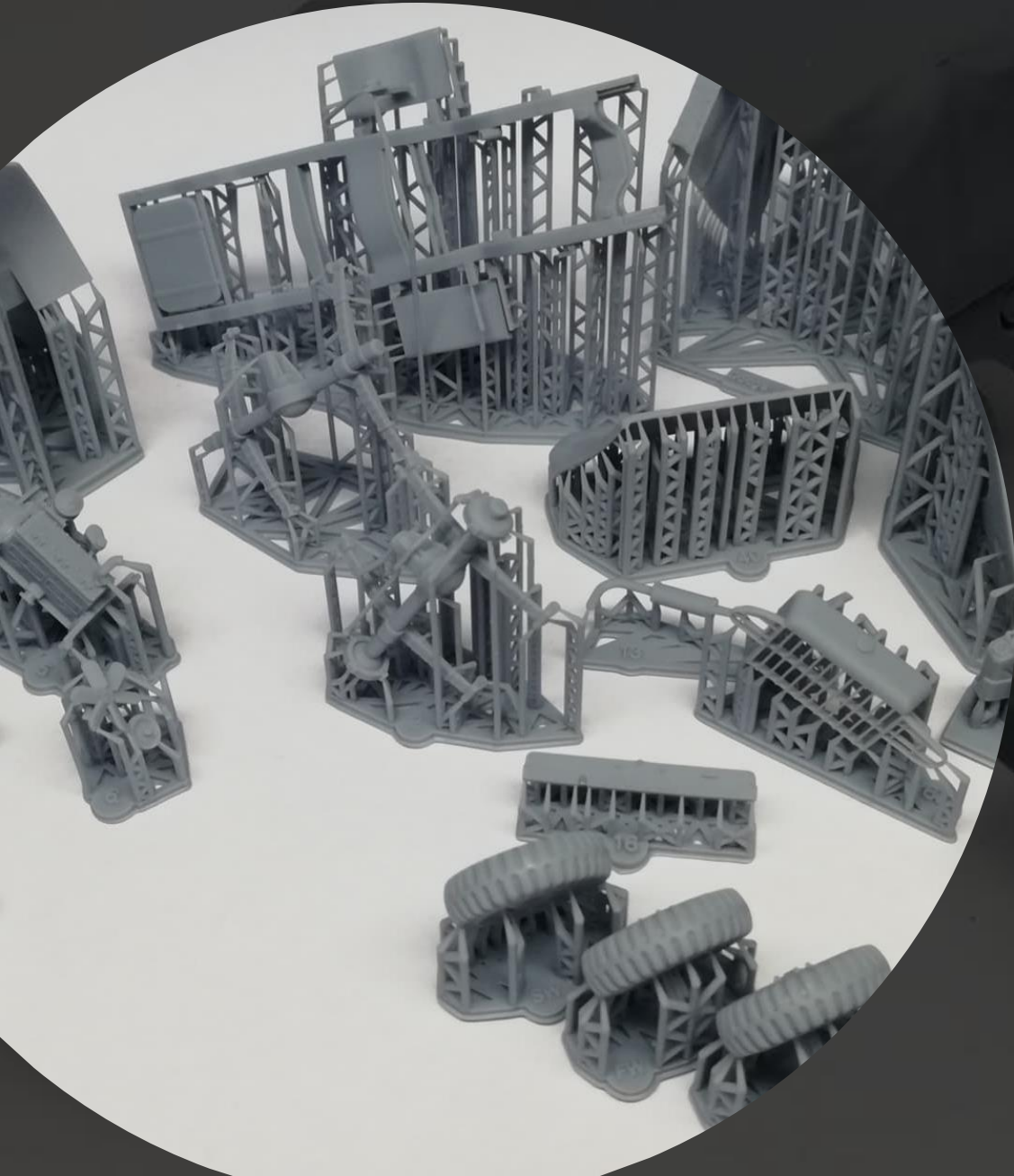


3 - Assembly and painting ...

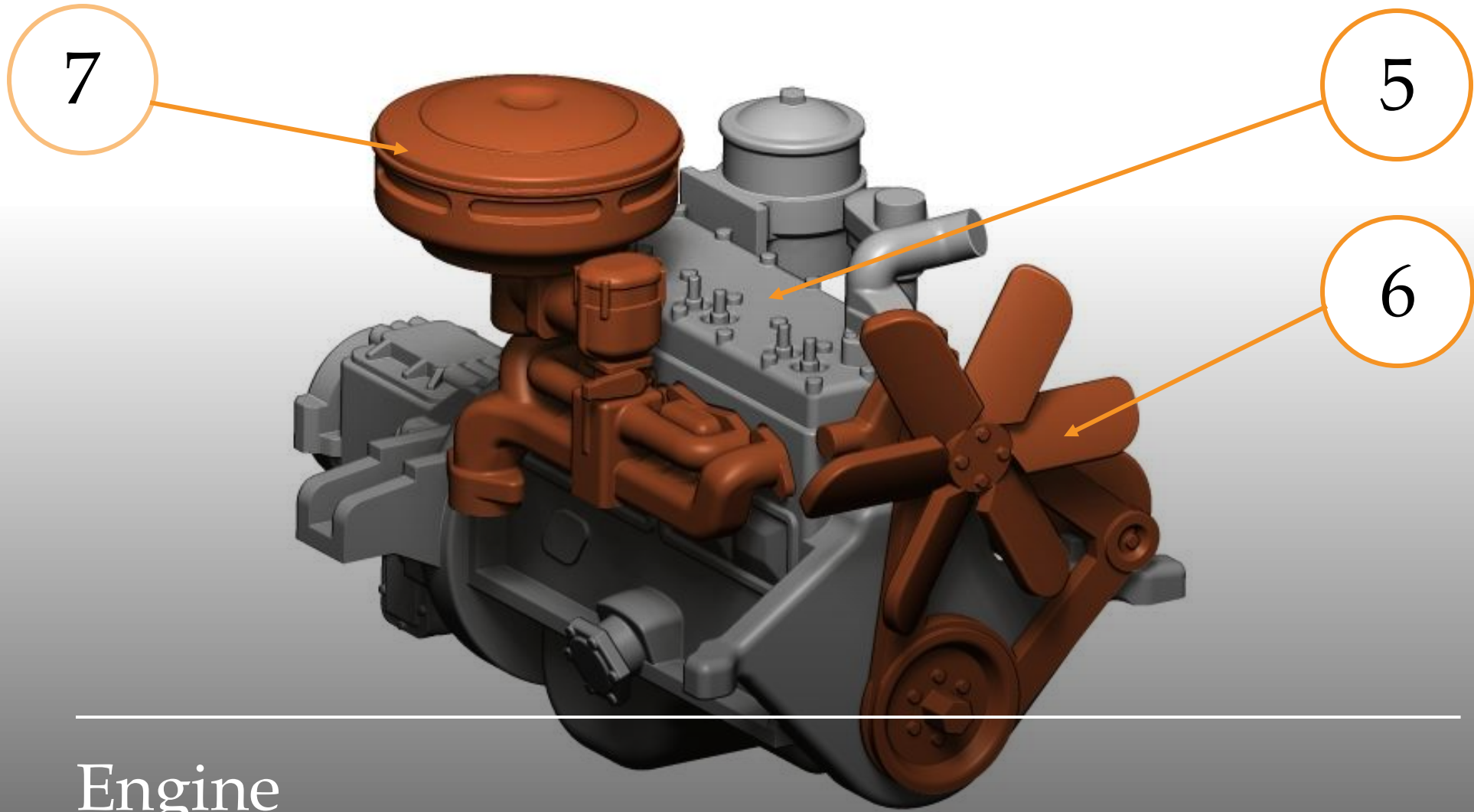
- quick CA glue*
- epoxy adhesive*
- white glue for clear parts*

4 - Priming ...

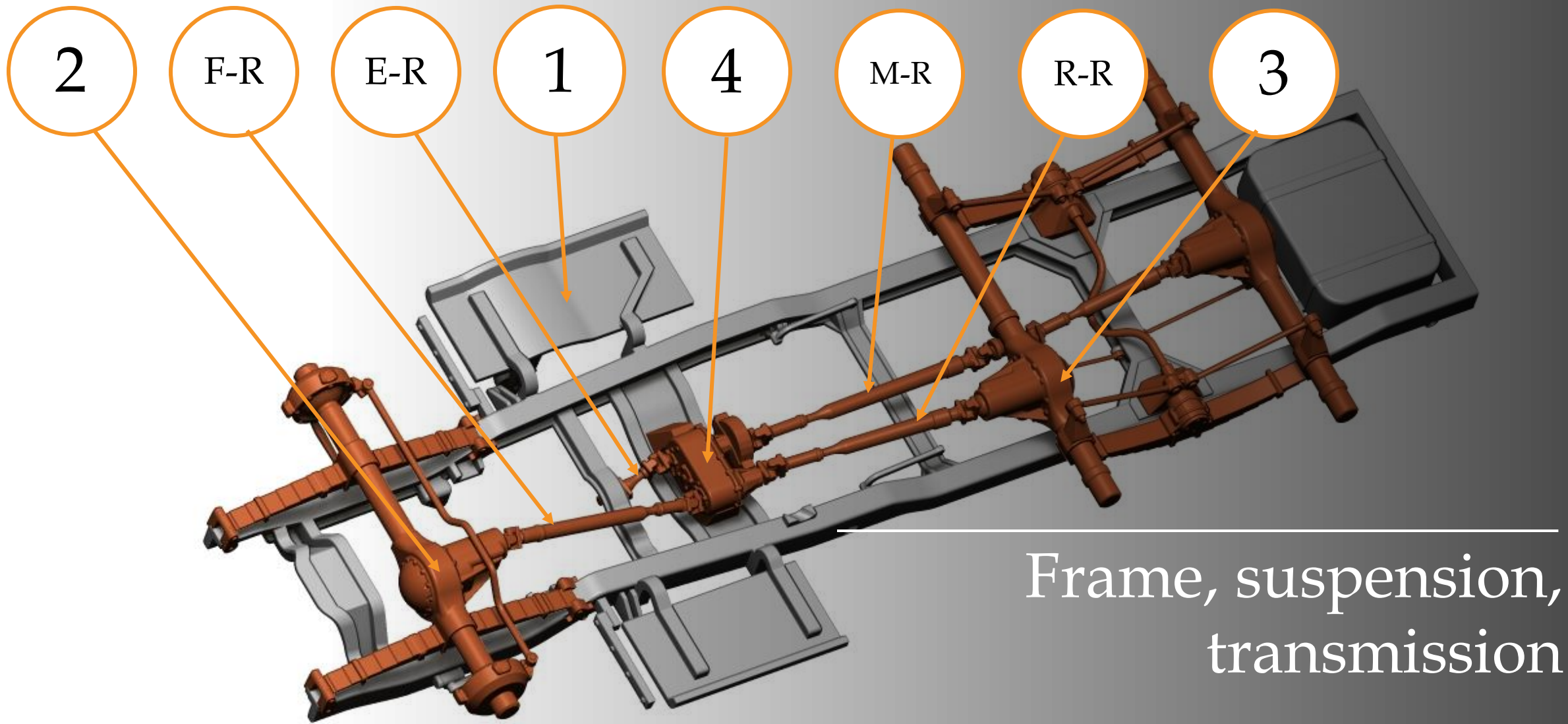
- Surfacer 1200, 1500 for airbrush*
- Surface Primer L Fine Spray*



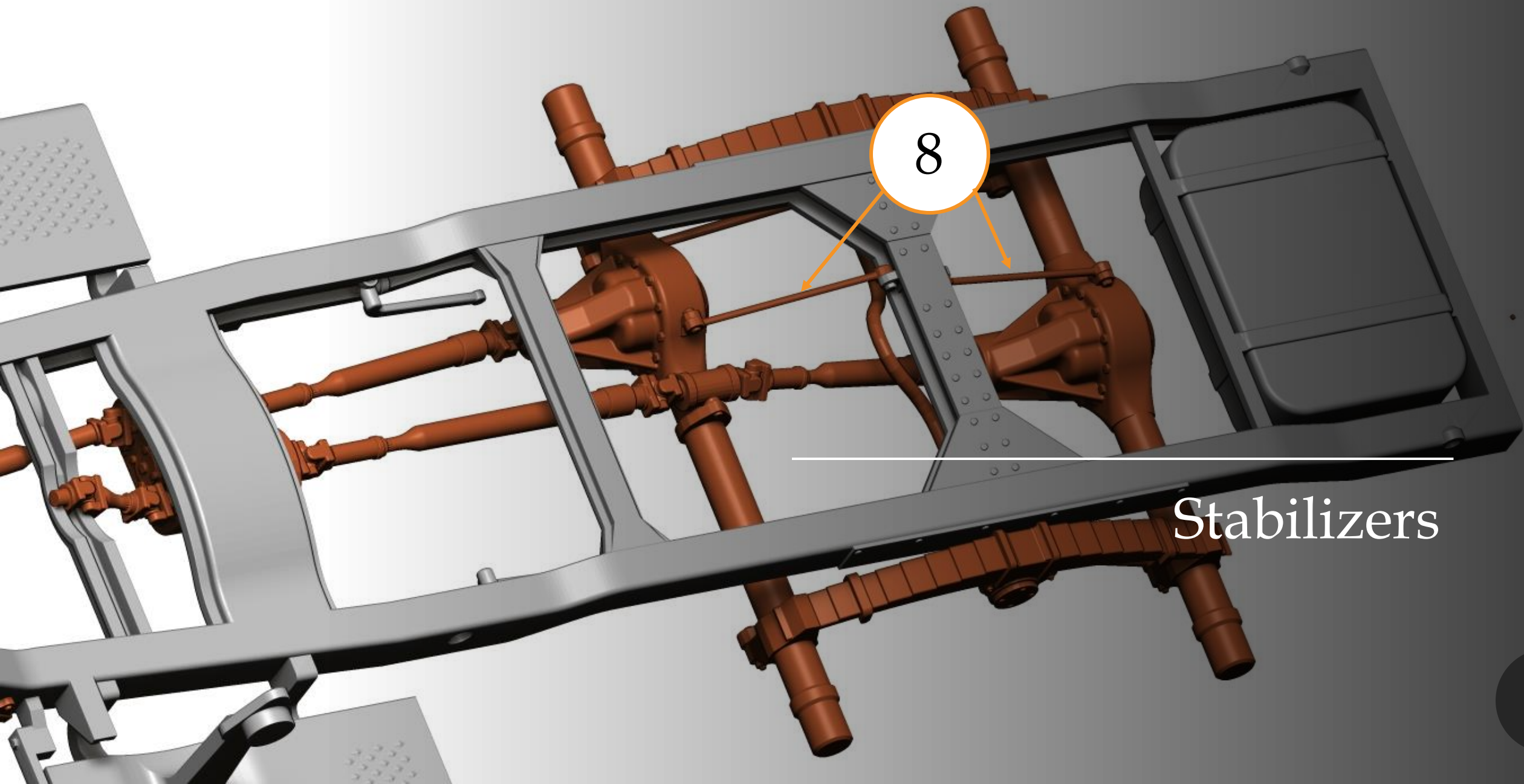
THE BUILD



Engine

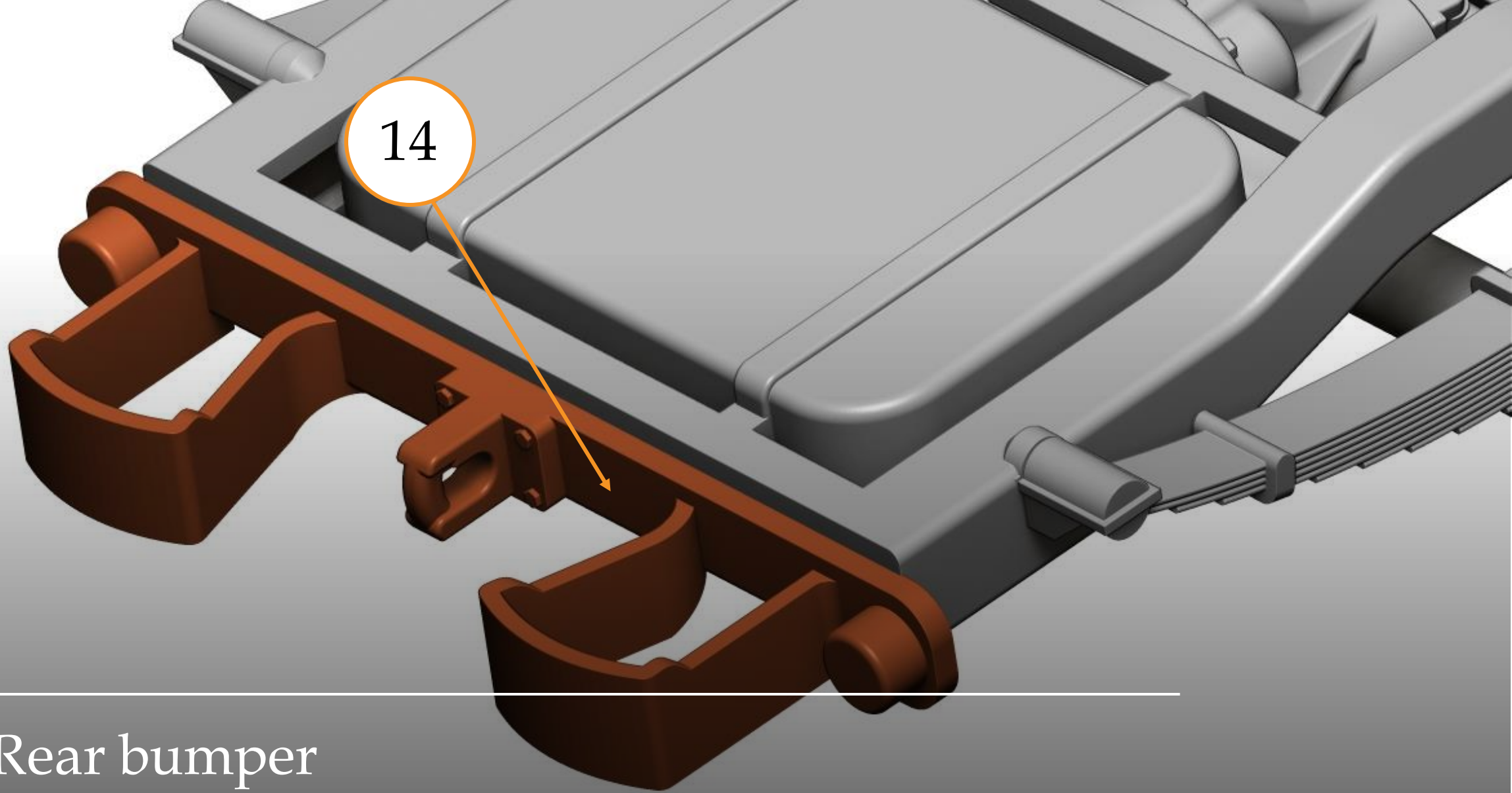


Frame, suspension,
transmission

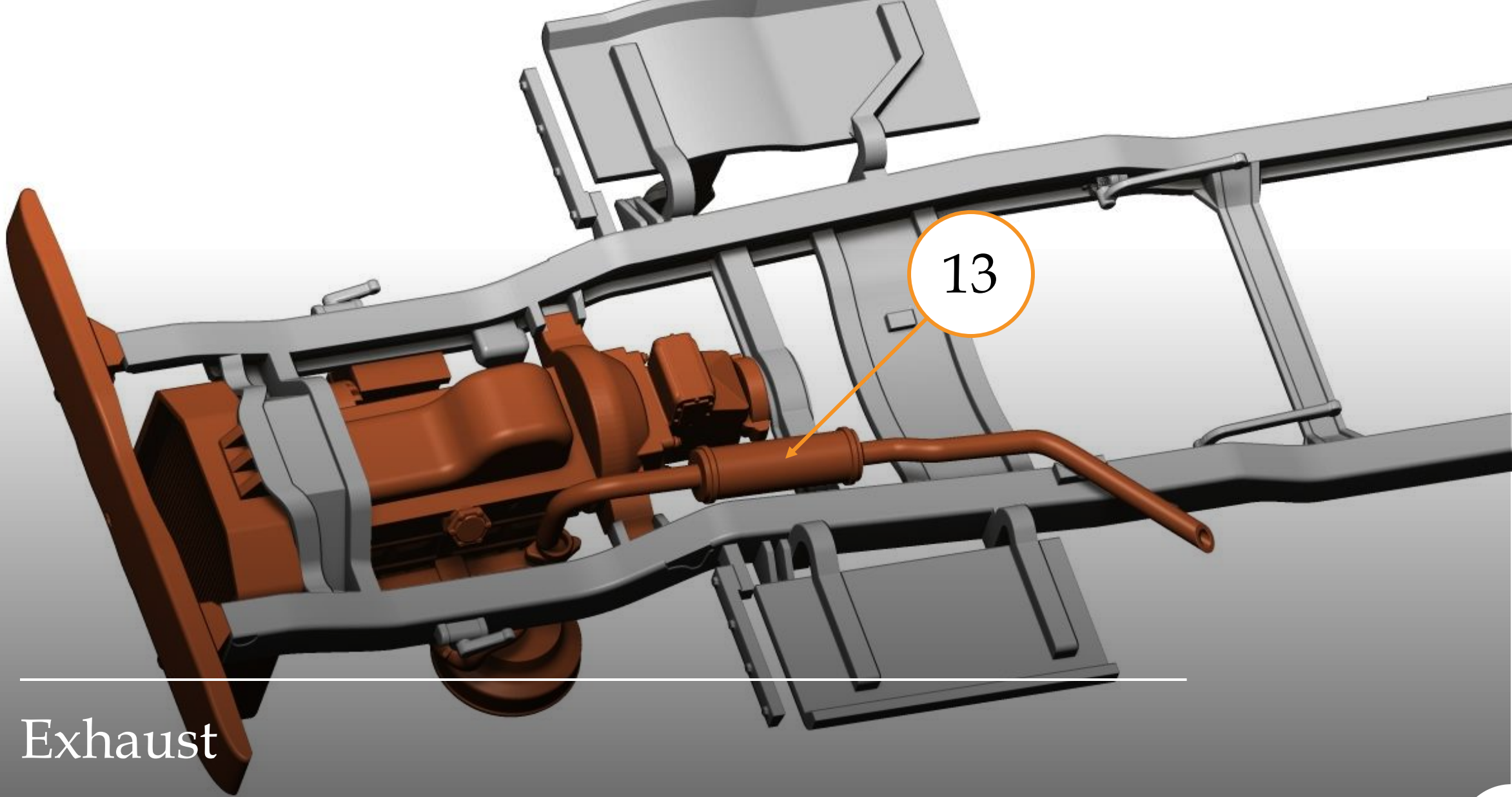


8

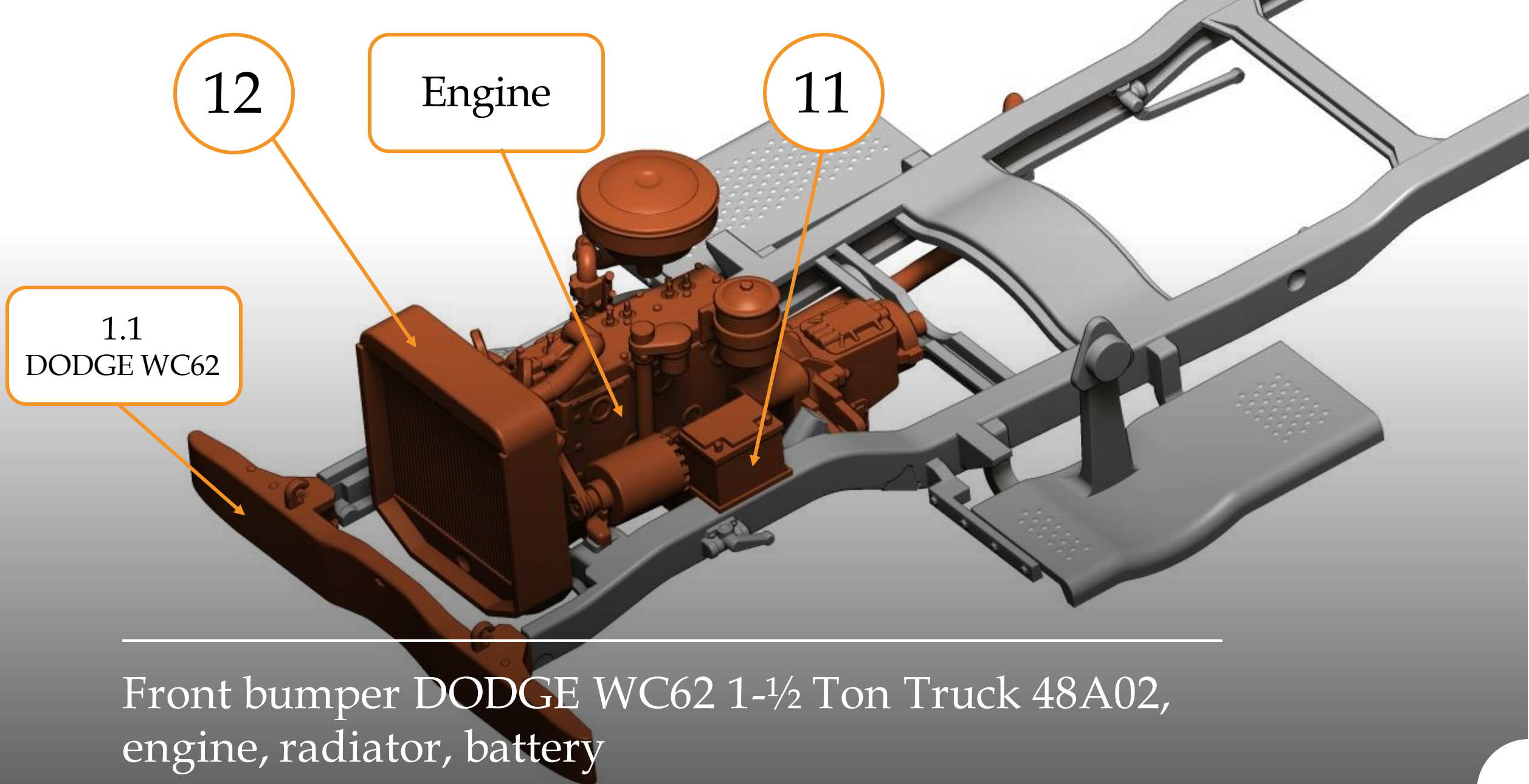
Stabilizers



Rear bumper



Exhaust



Front bumper DODGE WC63 Gun Truck 48A06




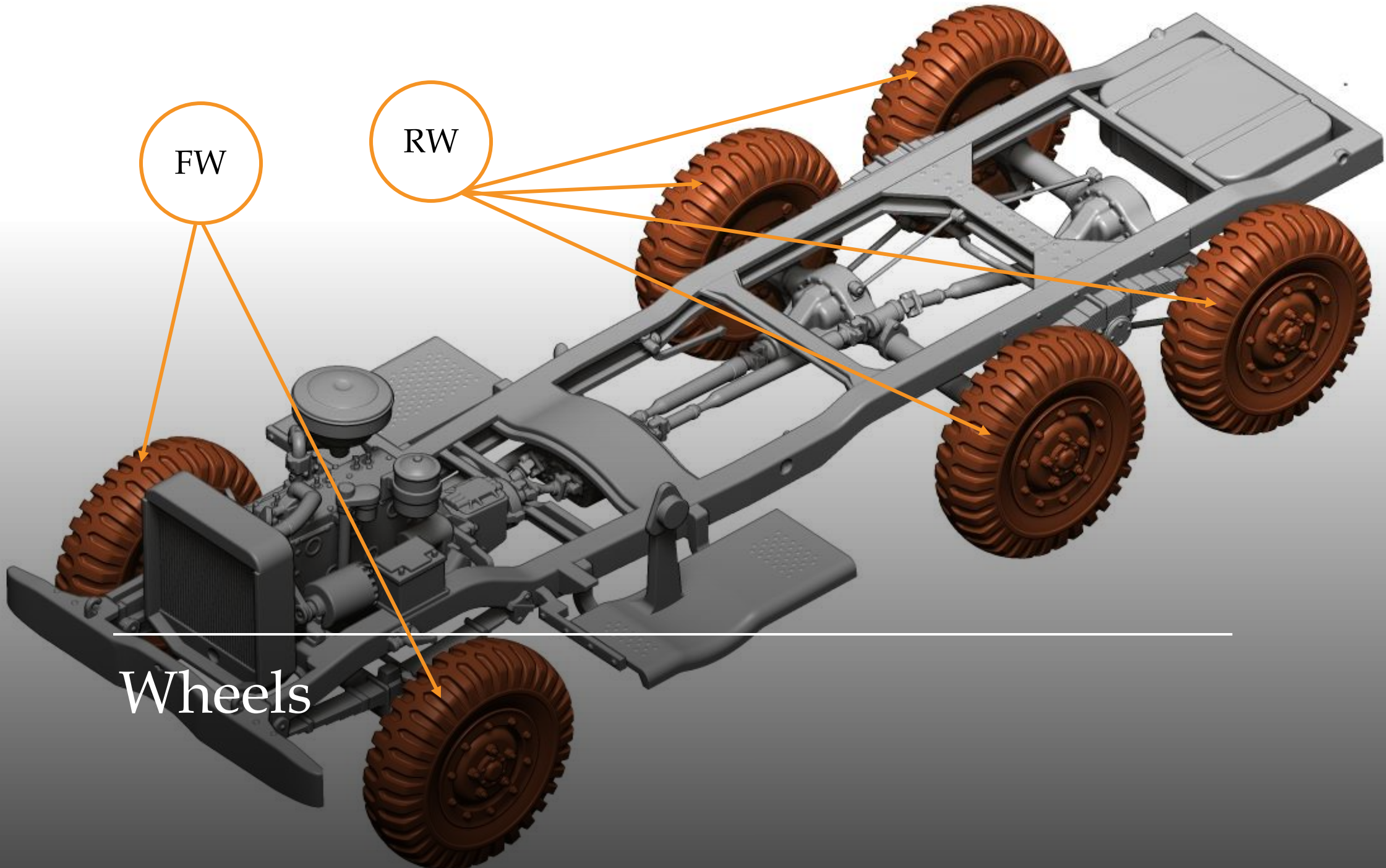
1.2
DODGE WC63

The image shows a 3D CAD model of a truck chassis, viewed from a front-quarter perspective. The chassis is primarily grey, showing the frame, suspension, and four large, treaded tires. A front bumper assembly is highlighted in a reddish-brown color. An orange arrow points from a callout box to the bumper. The callout box contains the text '1.2 DODGE WC63'. The background is a light grey gradient.

Winch drive
DODGE WC63 Gun Truck 48A06

5.2



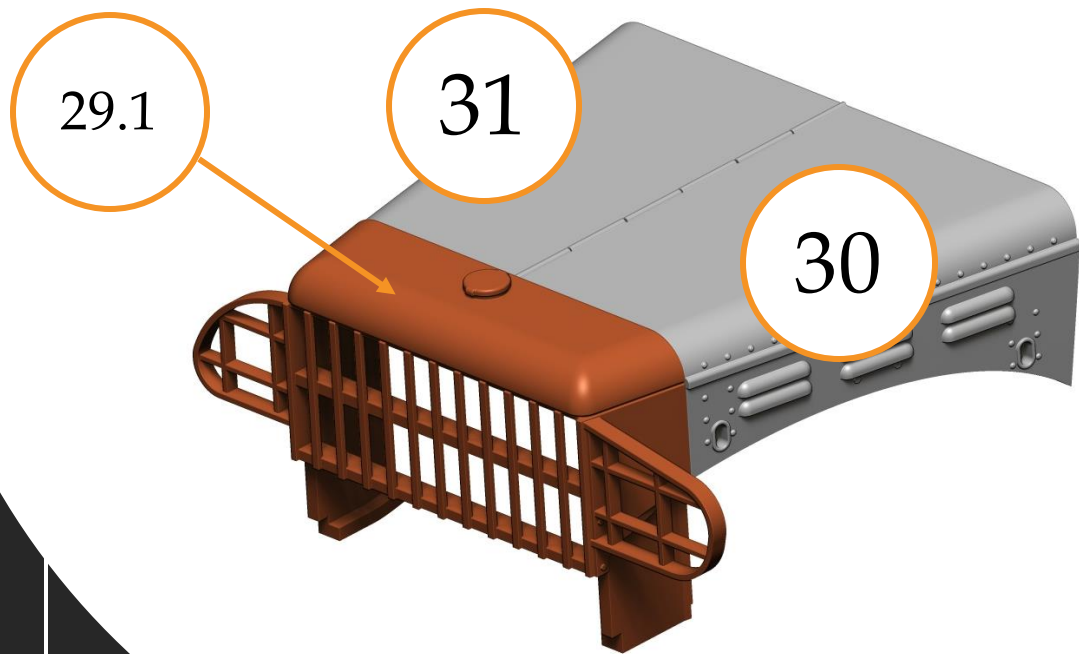


FW

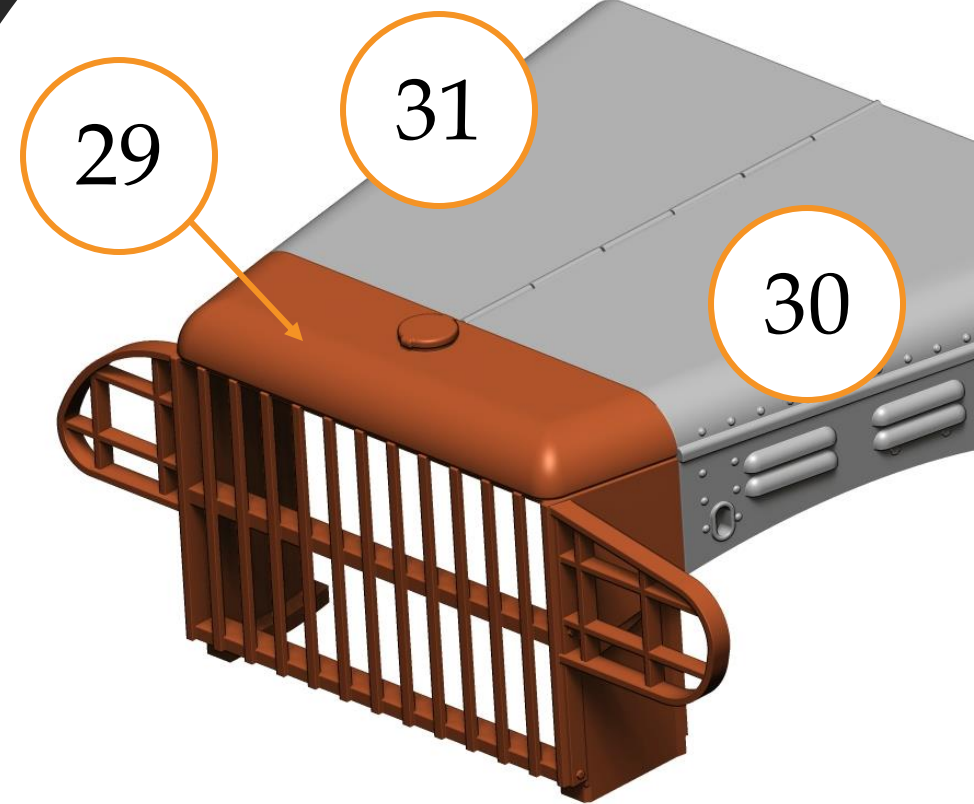
RW

Wheels

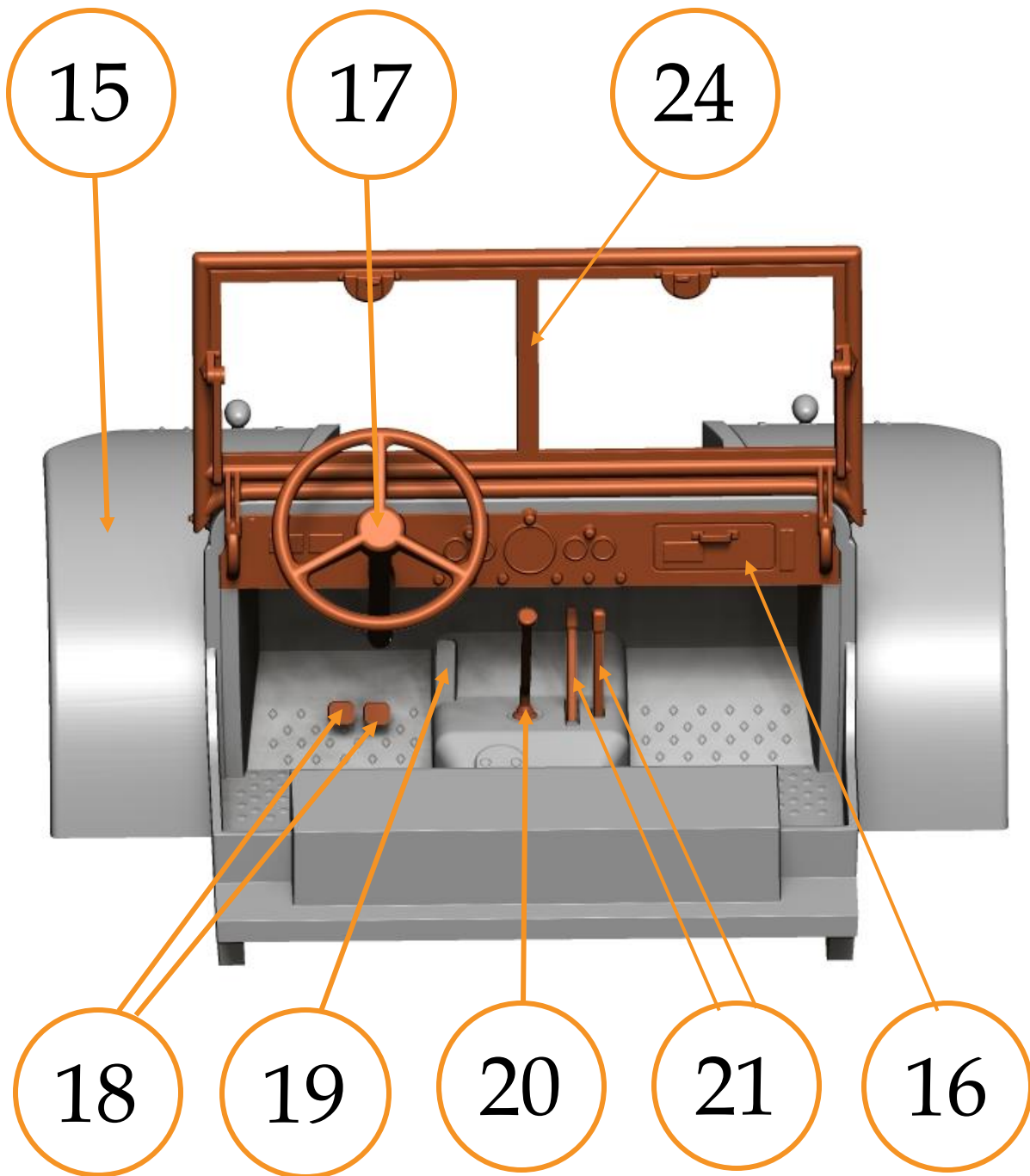
DODGE WC63 - 48A06



DODGE WC62 - 48A02



Engine hood



Cab interior

- 15 - body
- 16 - instrument panel
- 17 - steering wheel
- 18 - brake & clutch pedal
- 19 - accelerator pedal
- 20 - gearbox lever
- 21 - off-roads lever
- 24 - window frame

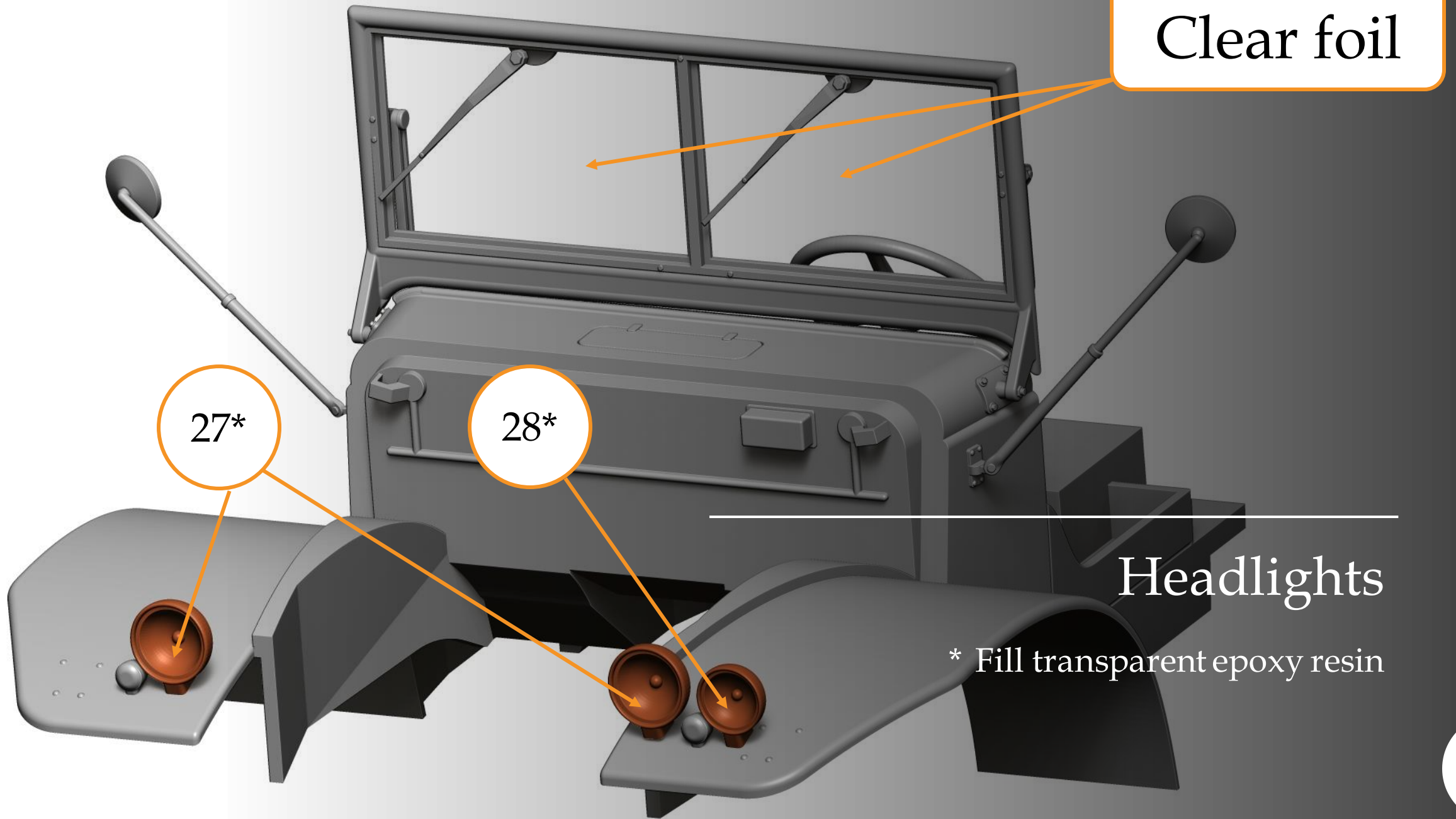
Clear foil

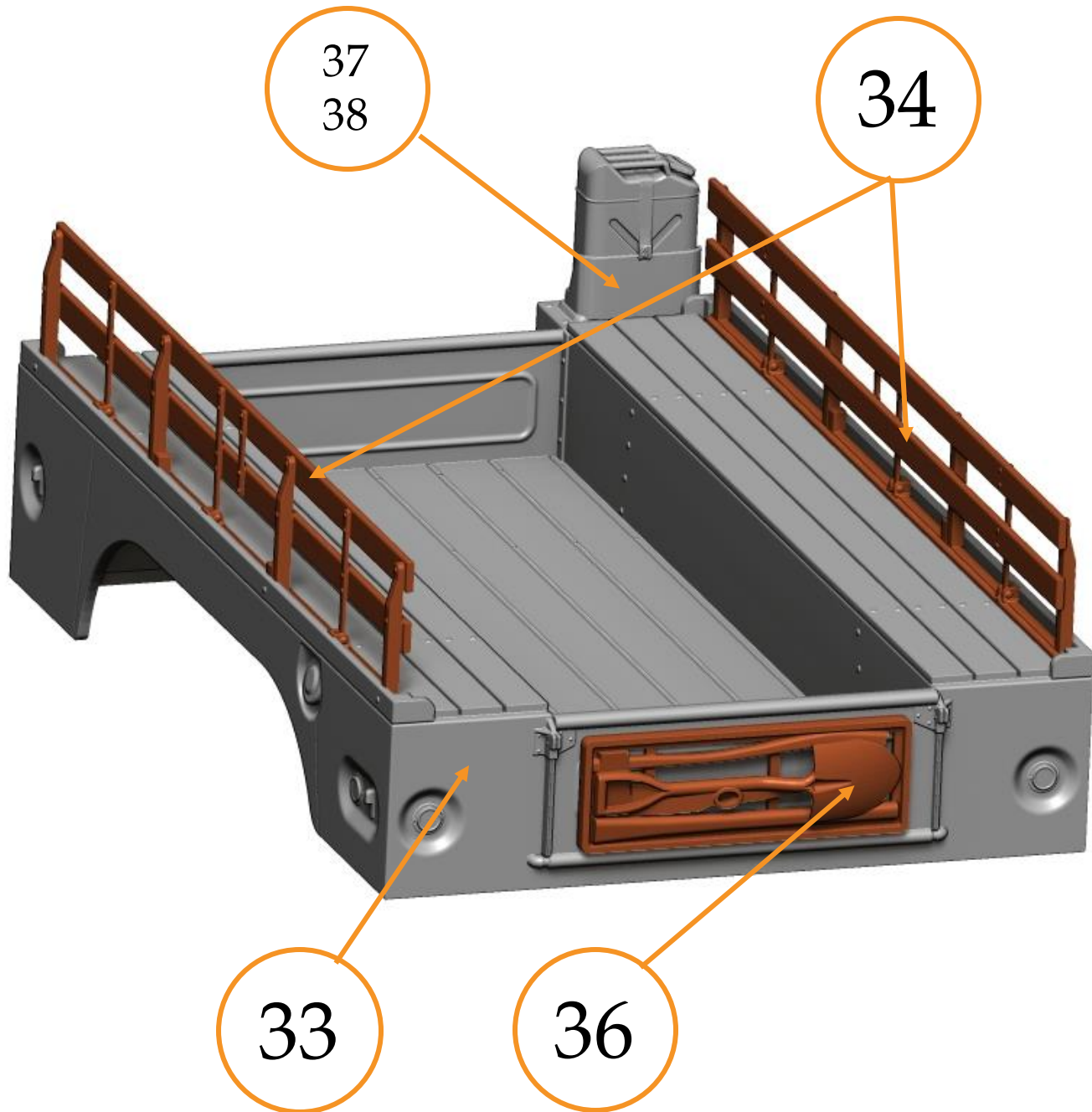
27*

28*

Headlights

* Fill transparent epoxy resin





Cargo

33 – cargo body 6x6

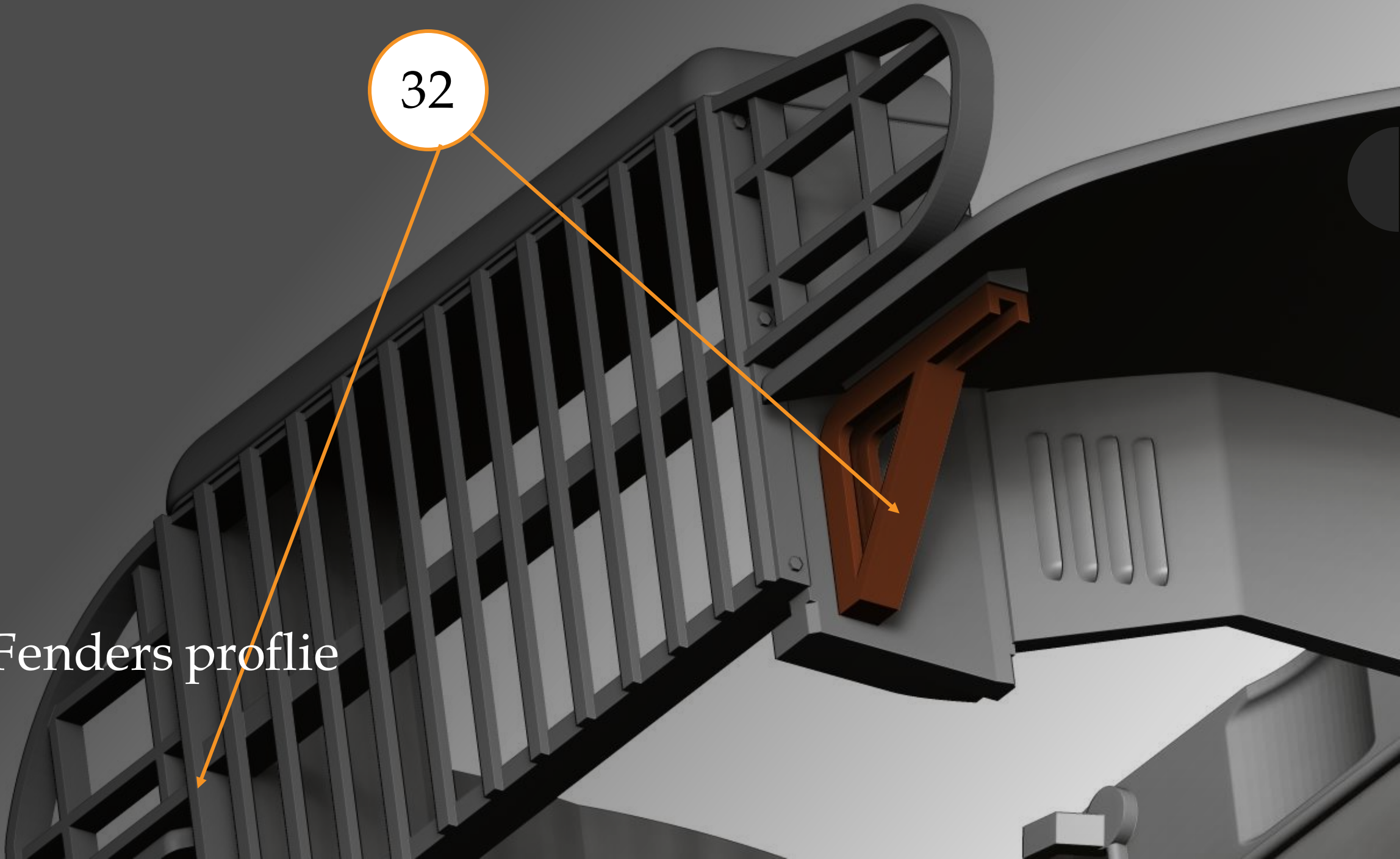
34 – cargo railings

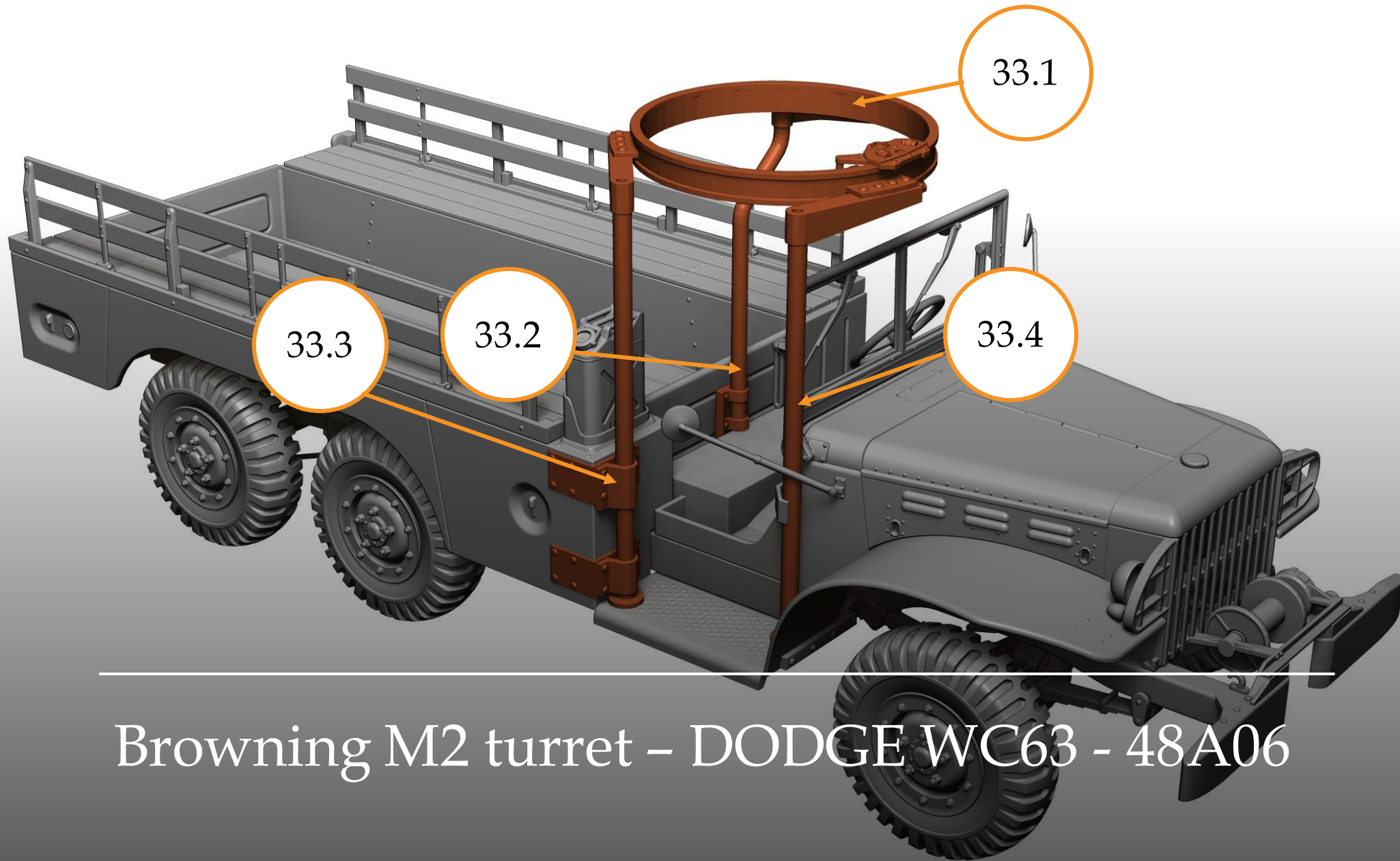
36 – tools frame

37/38 – canisters

32

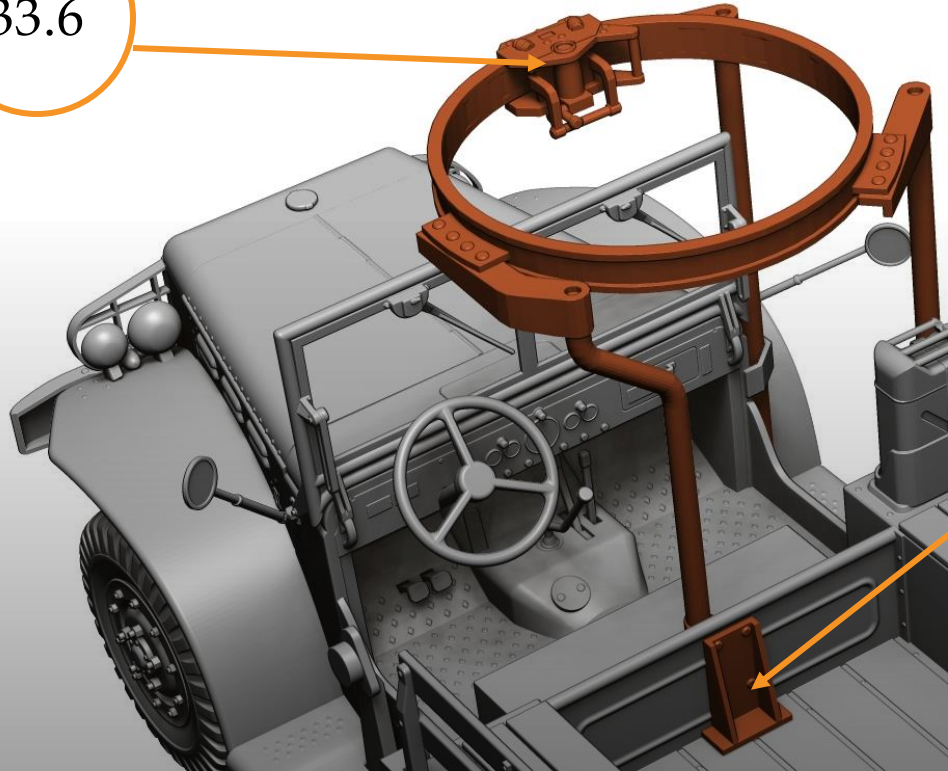
Fenders proflie



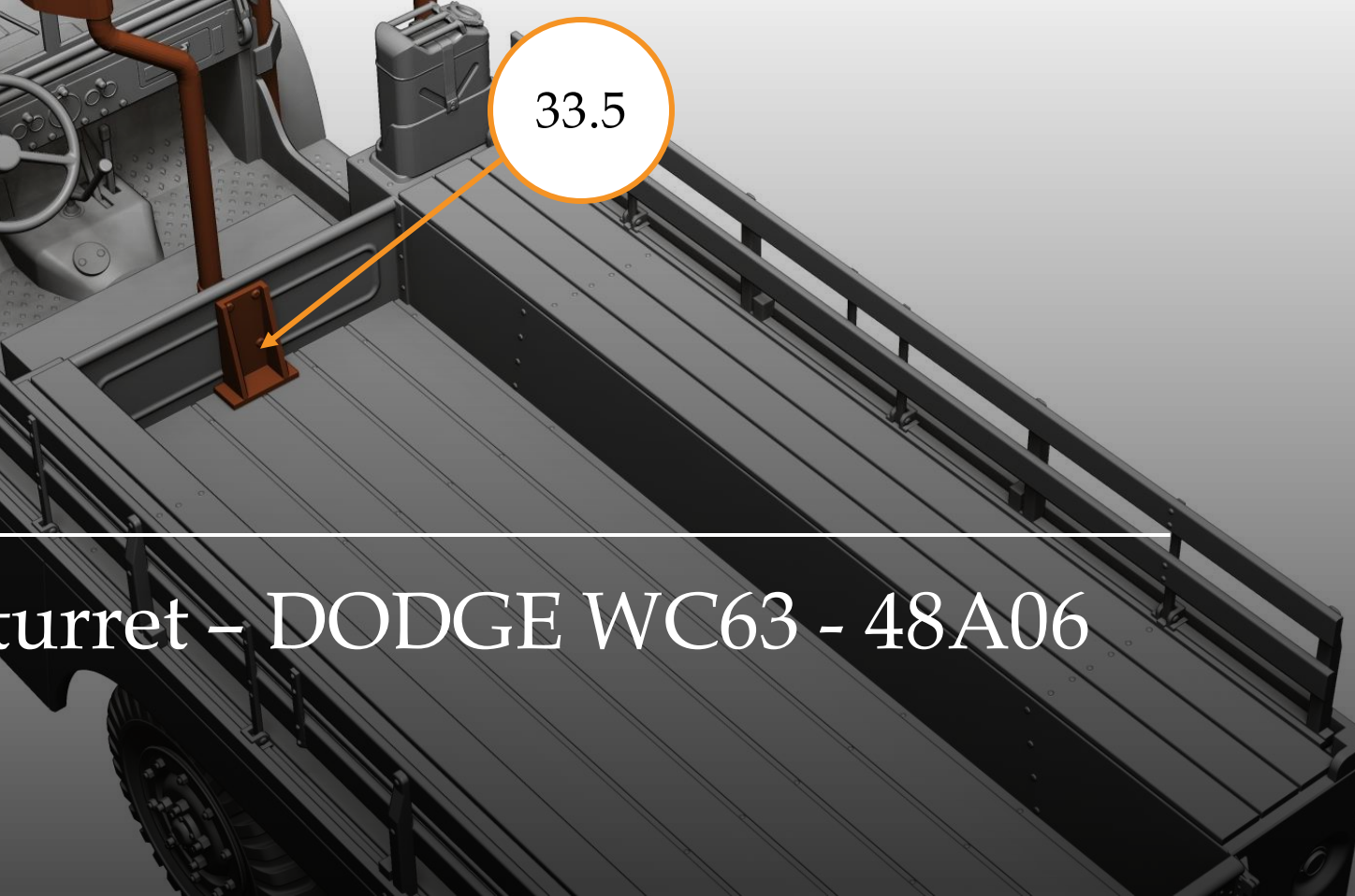


Browning M2 turret – DODGE WC63 - 48A06

33.6



33.5

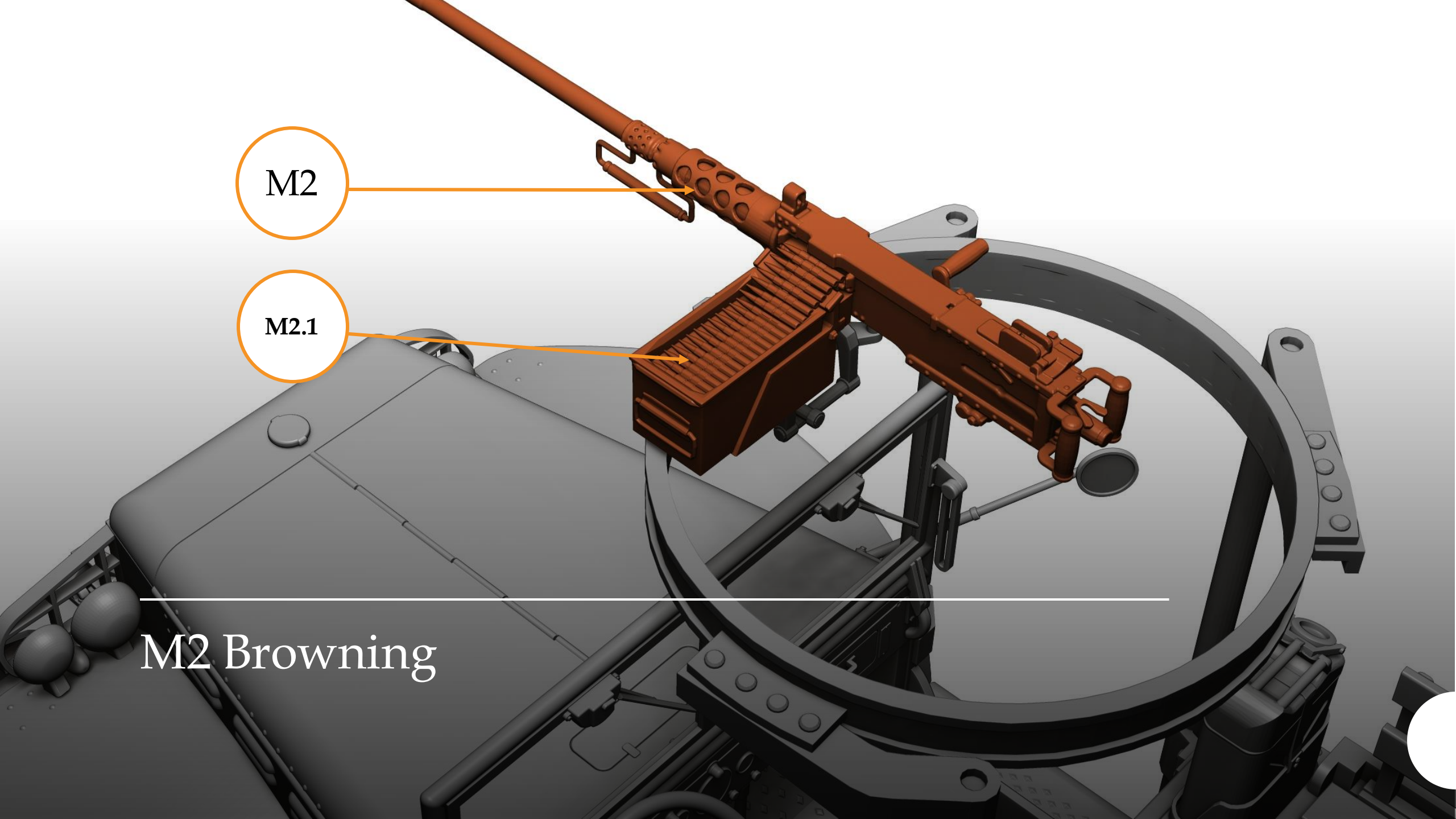


Browning M2 turret – DODGE WC63 - 48A06

M2

M2.1

M2 Browning

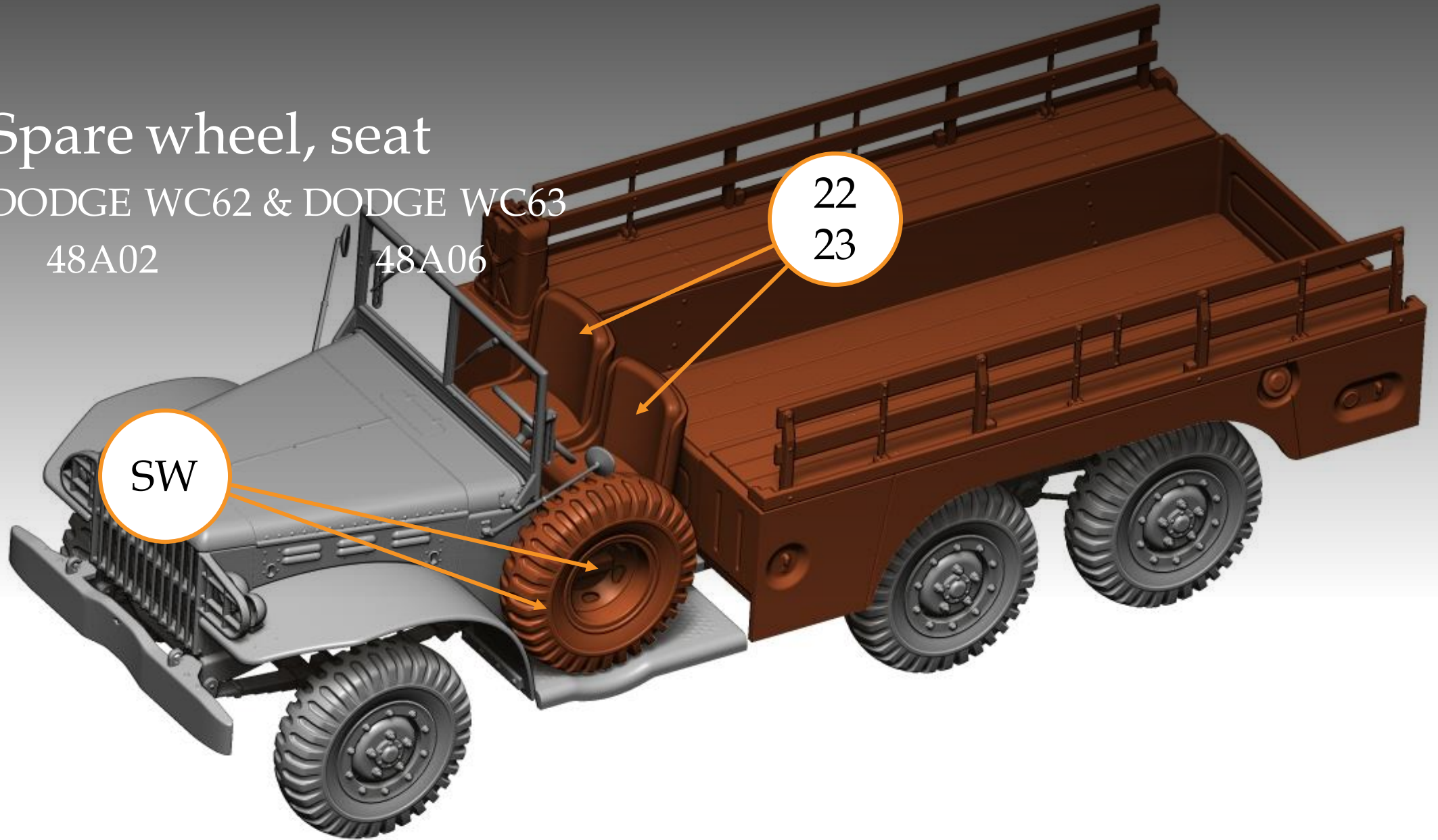


Spare wheel, seat

DODGE WC62 & DODGE WC63

48A02

48A06



DODGE WC62 - 48A02



Canvas



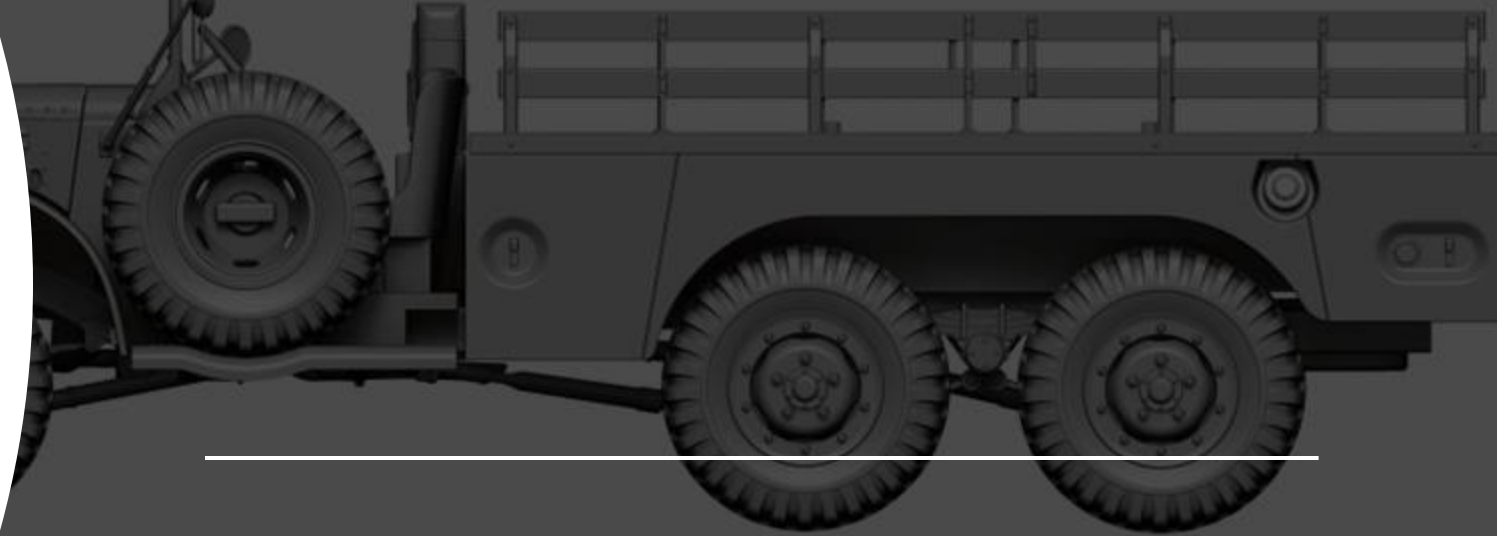
DODGE WC63 - 48A06



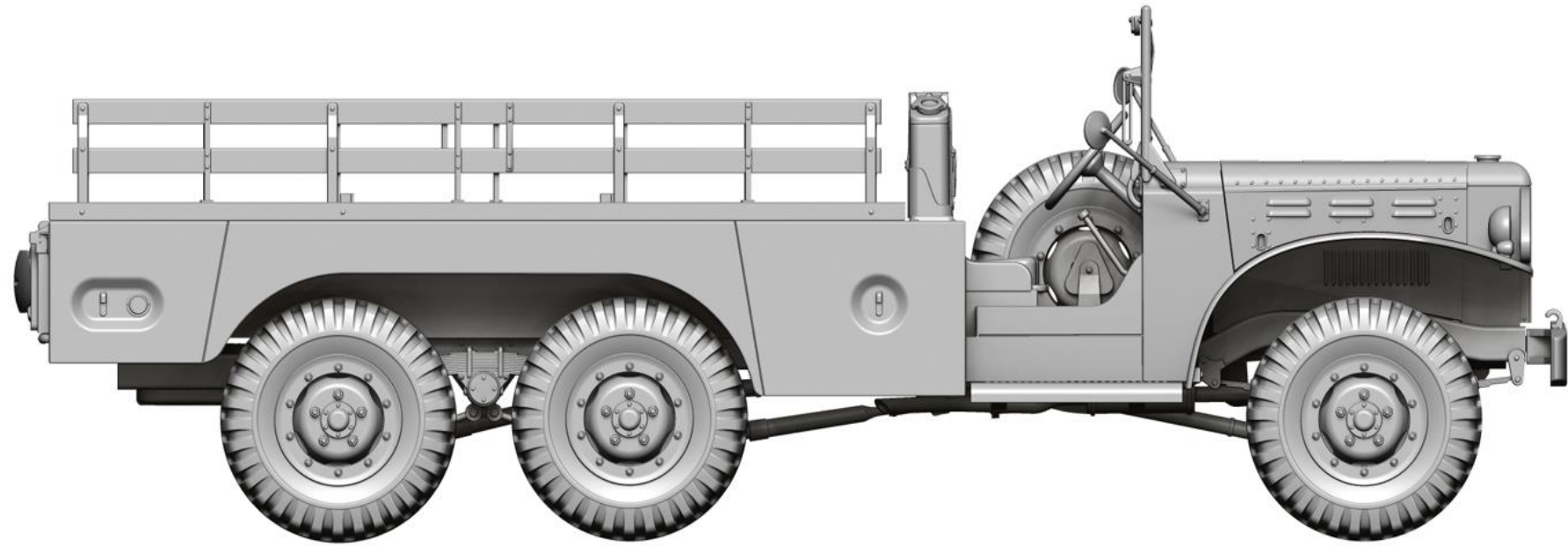
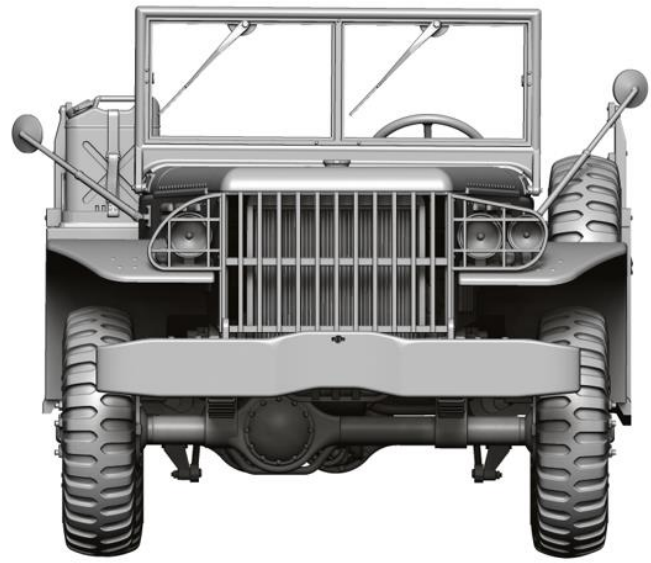
DOGFIGHT
WORKSHOP

DODGE WC62/63

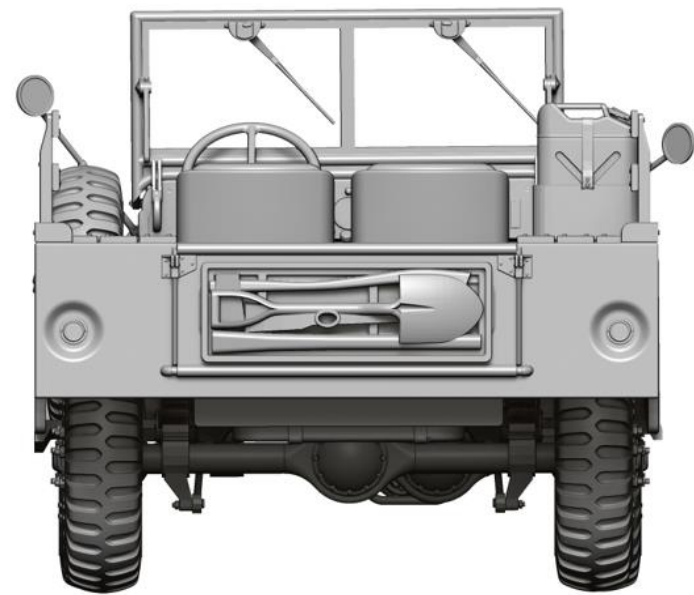
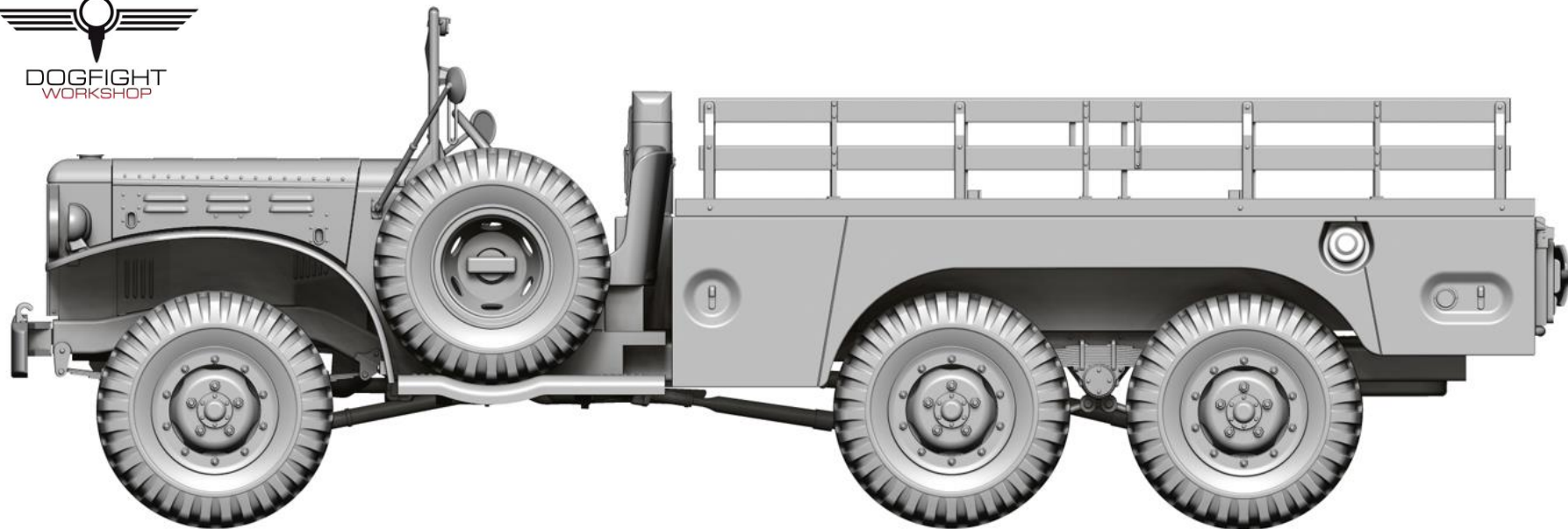
U.S. Military 1-1/2 Ton Truck

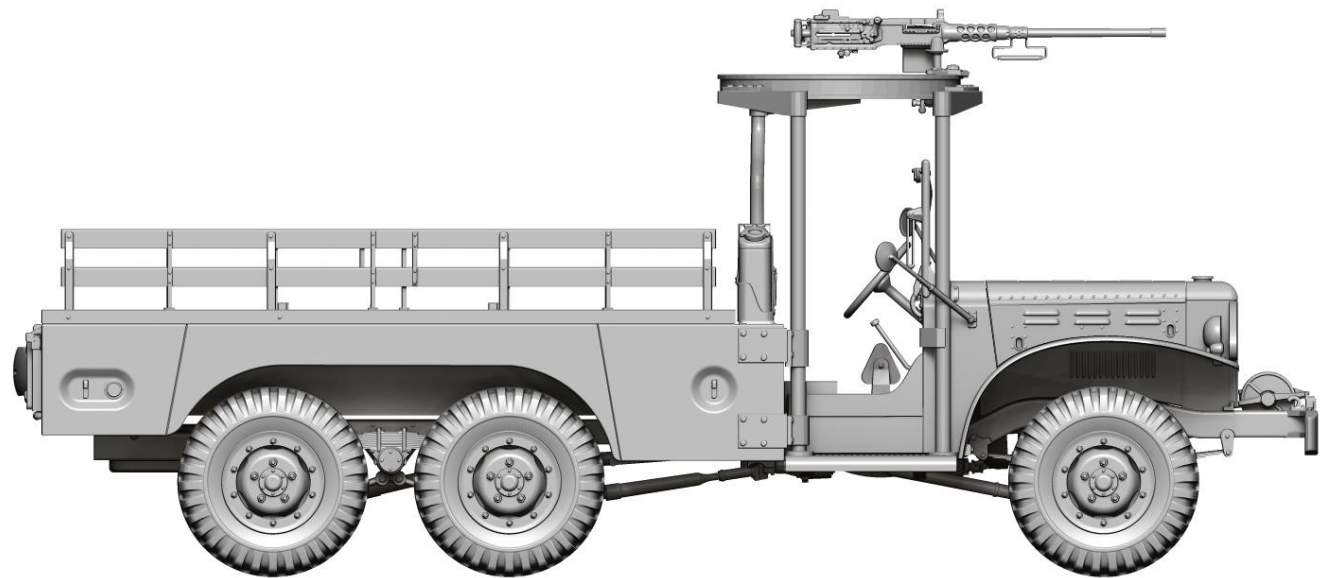
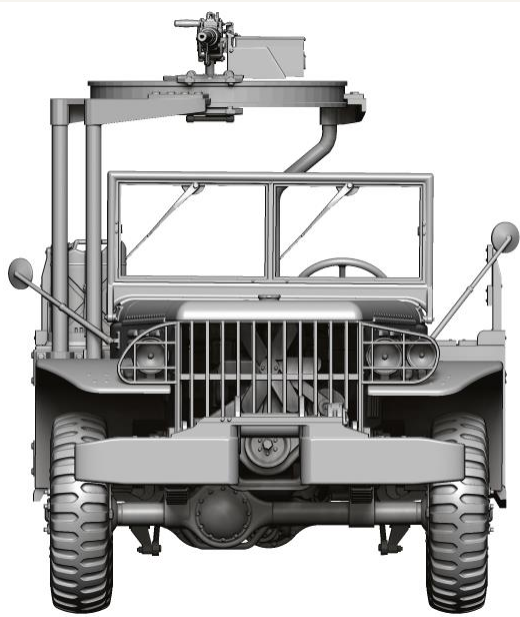


General view

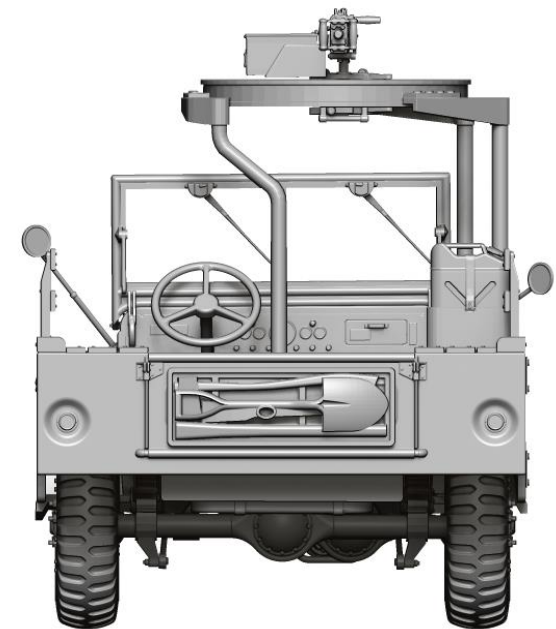
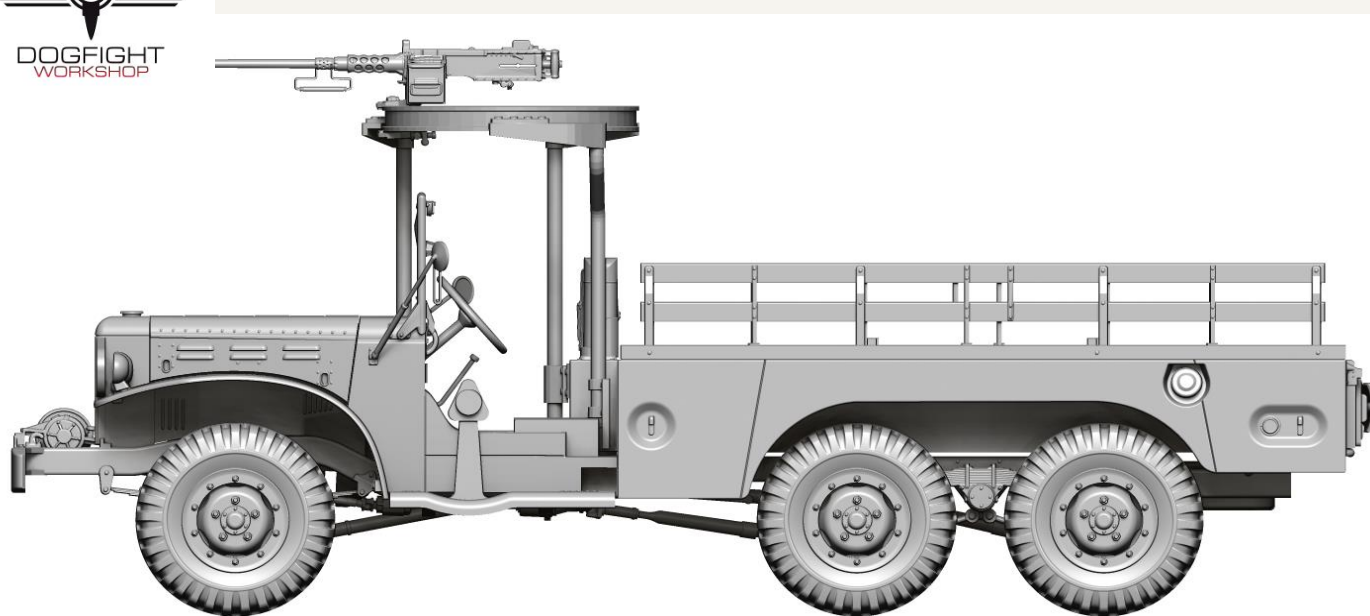


DODGE WC62 U.S. Military 1-1/2 Ton Truck 48A02





DODGE WC63 U.S. Military 1-1/2 Gun Truck 48A06





DOGFIGHT
WORKSHOP

Thank you for choosing our product. With each subsequent one we make every effort to make our models better and better.

Happy Modelling

Dogfight Workshop Team

dogfightworkshop@gmail.com