



DOGFIGHT
WORKSHOP

DODGE WC 51/52*

U.S. Military $\frac{3}{4}$ Ton Truck

scale 1/48

Full 3D printed

**1/48 Military Miniature Series No.:*

- DODGE WC51 U.S. Military $\frac{3}{4}$ Ton Truck: 48A03

- DODGE WC52 U.S. Military $\frac{3}{4}$ Ton Truck: 48A05

Overall Length 93mm

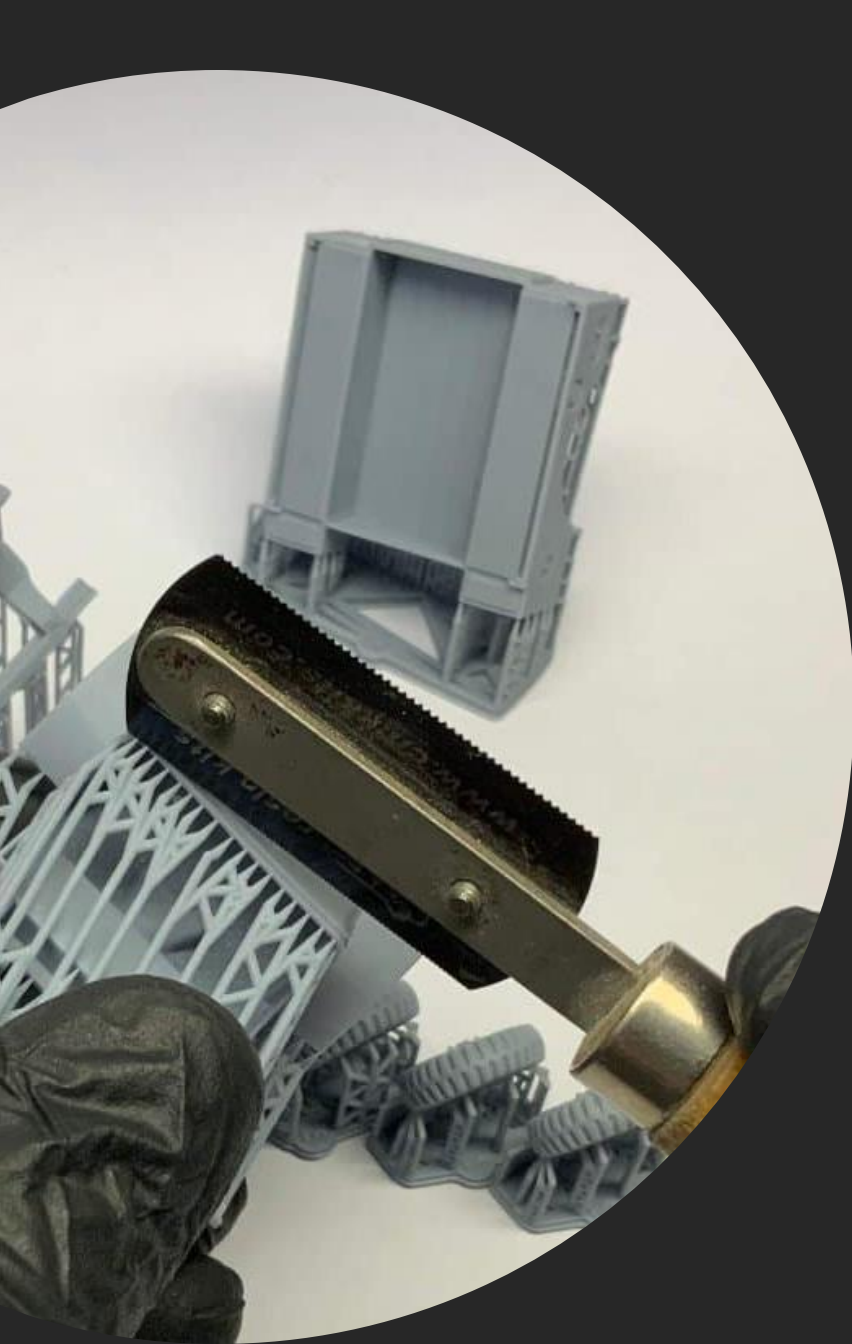


DOGFIGHT
WORKSHOP

Thank you for choosing our product.
Our models are made in
3D printing technology from
photopolymer resins.

Below are some steps, tips and tricks
on how to prepare our product
for building.

Happy Modelling !

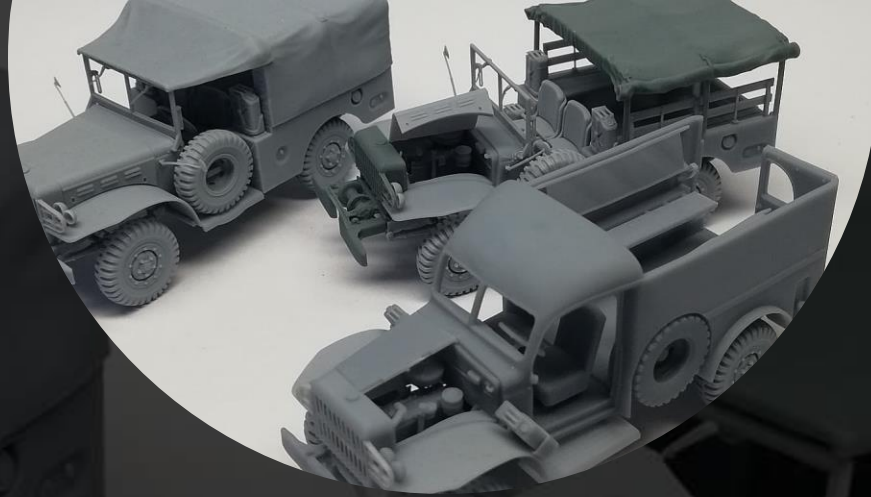
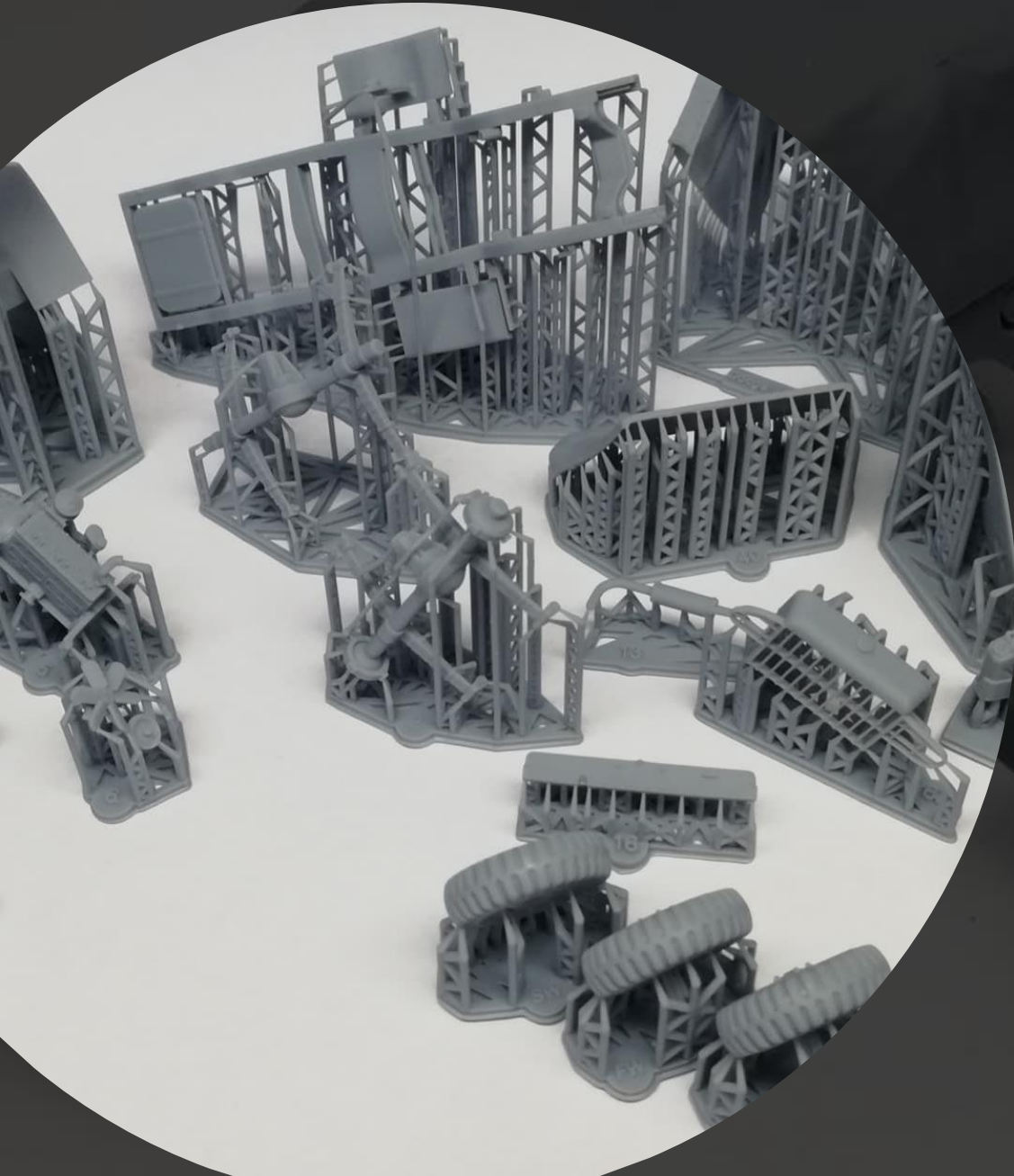


A few tips and tricks how to prepare our models

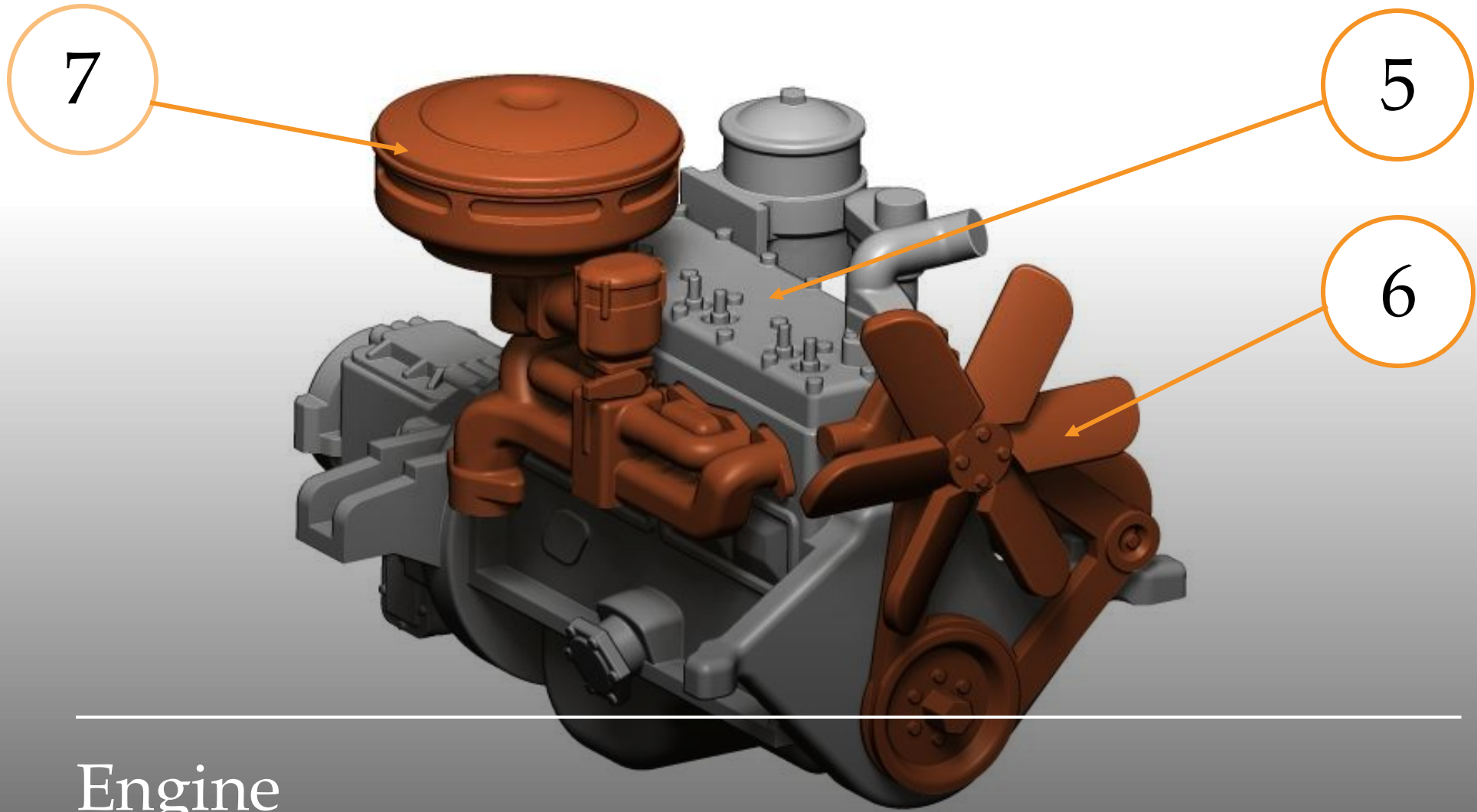
- 1 - *Cutting off printing supports ...*
 - *modelling knife*
 - *modelling cutter*
 - *modelling saw*



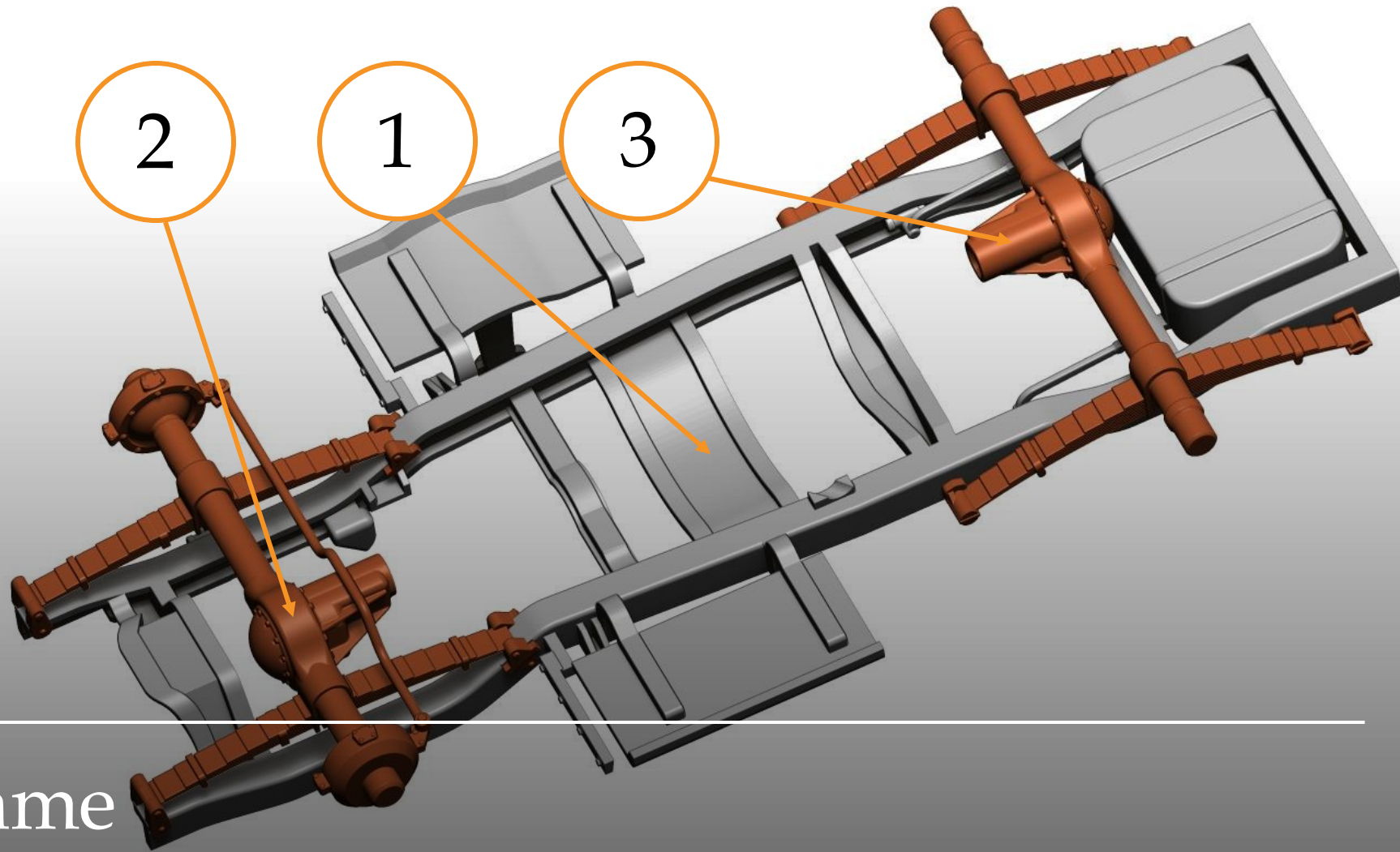
- 2 - Grinding and sanding ...*
- modelling grinding wool*
 - modelling sponge*
 - modelling file*



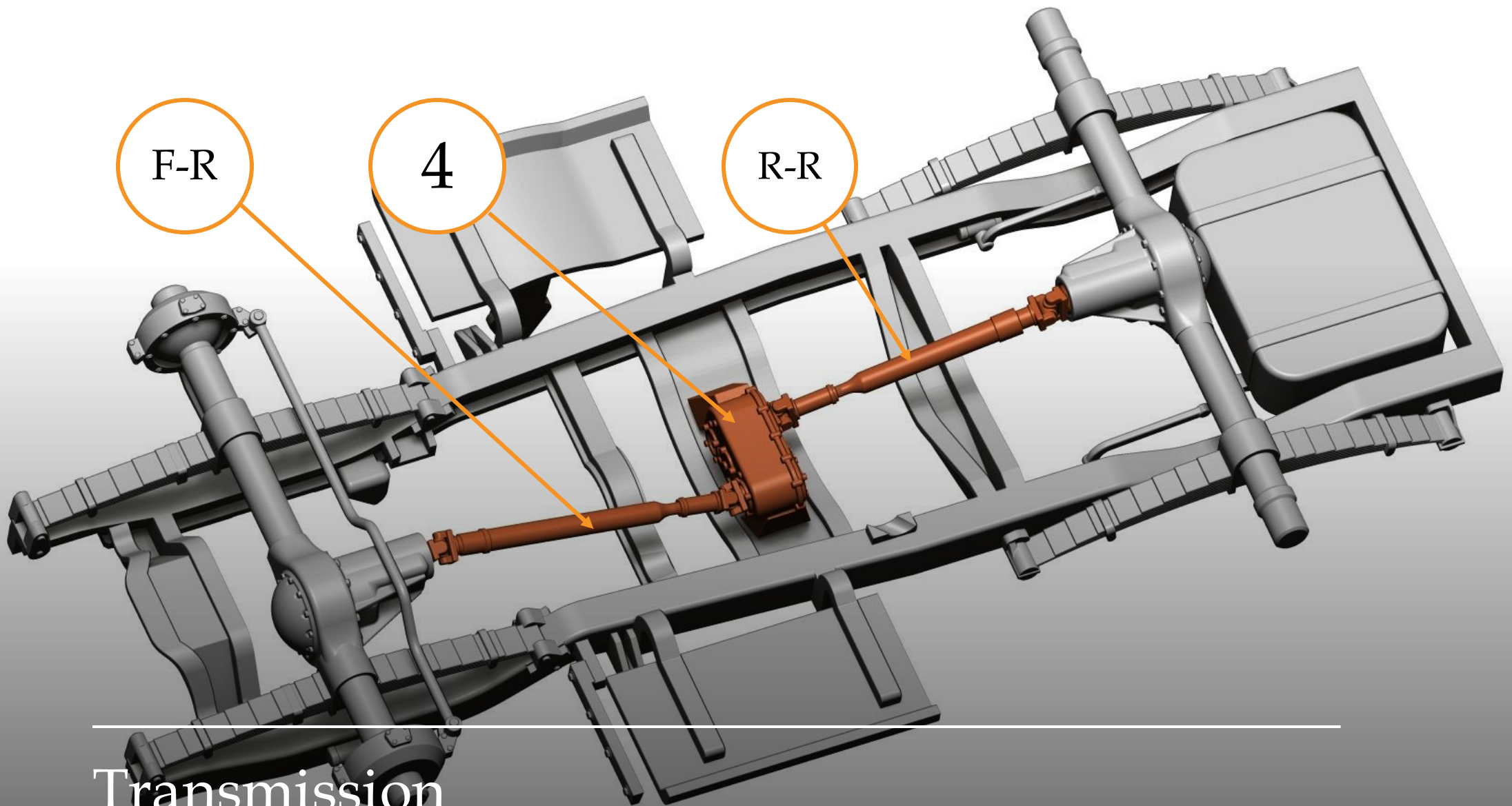
THE BUILD



Engine



Frame



F-R

4

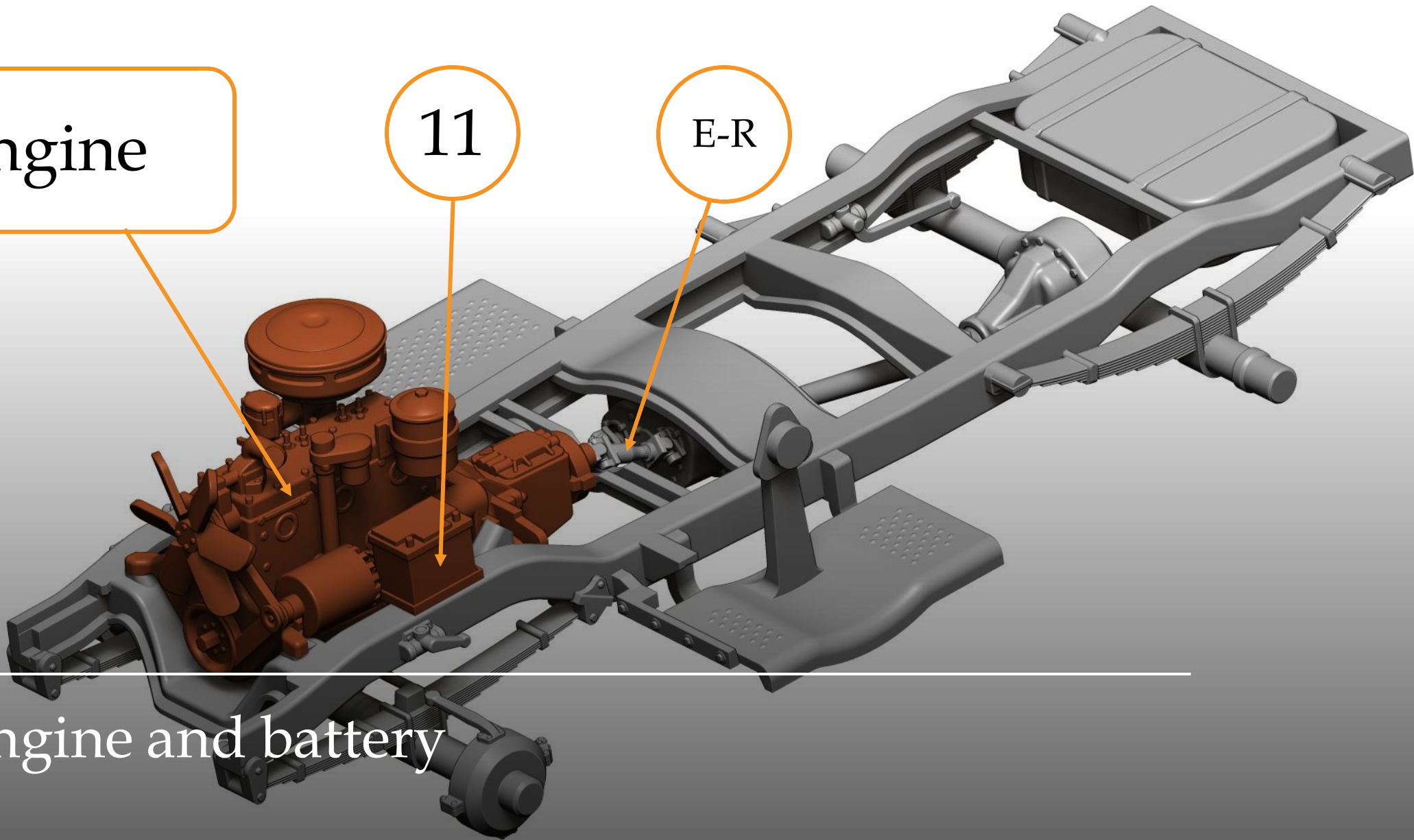
R-R

Transmission

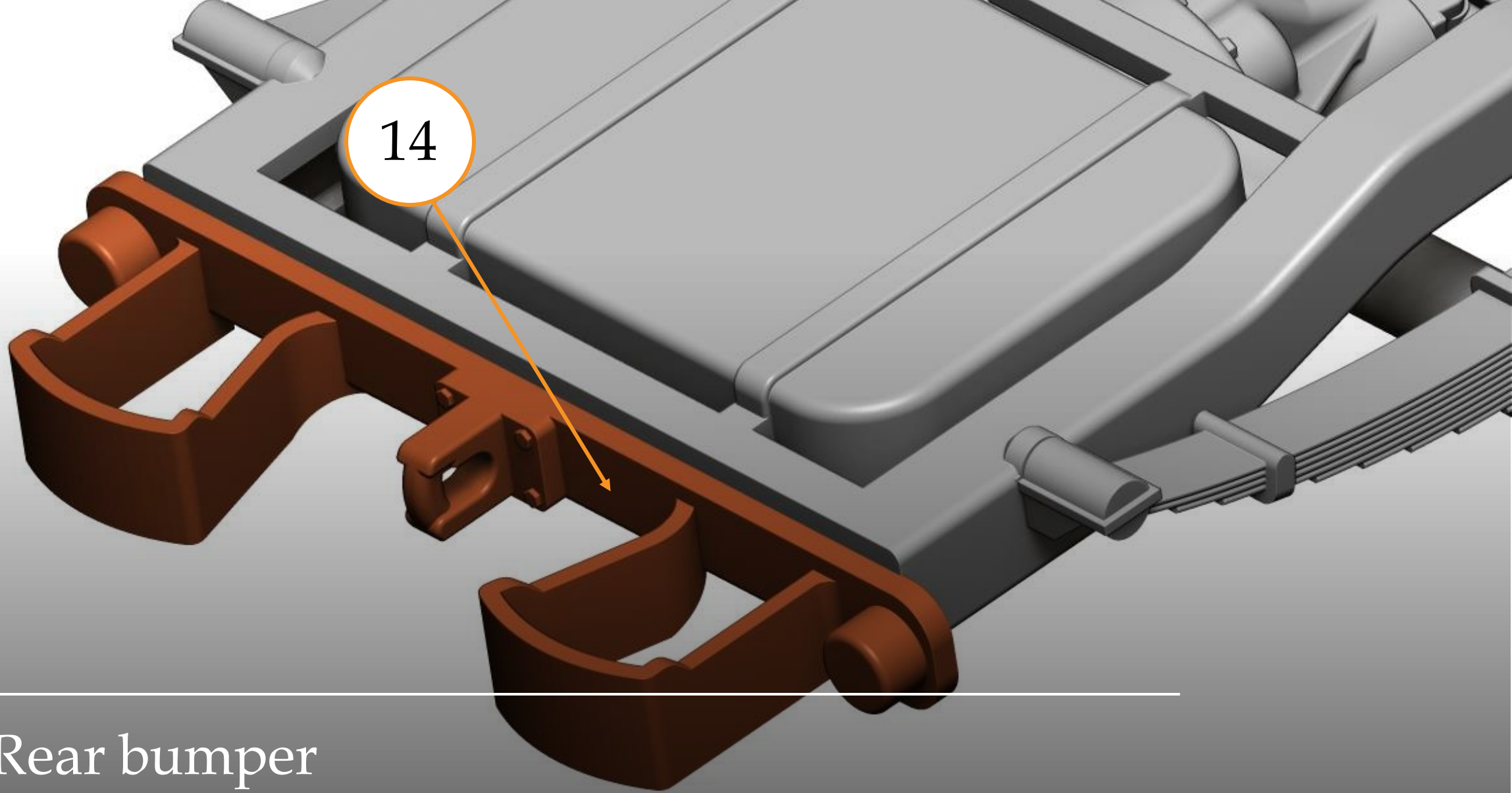
Engine

11

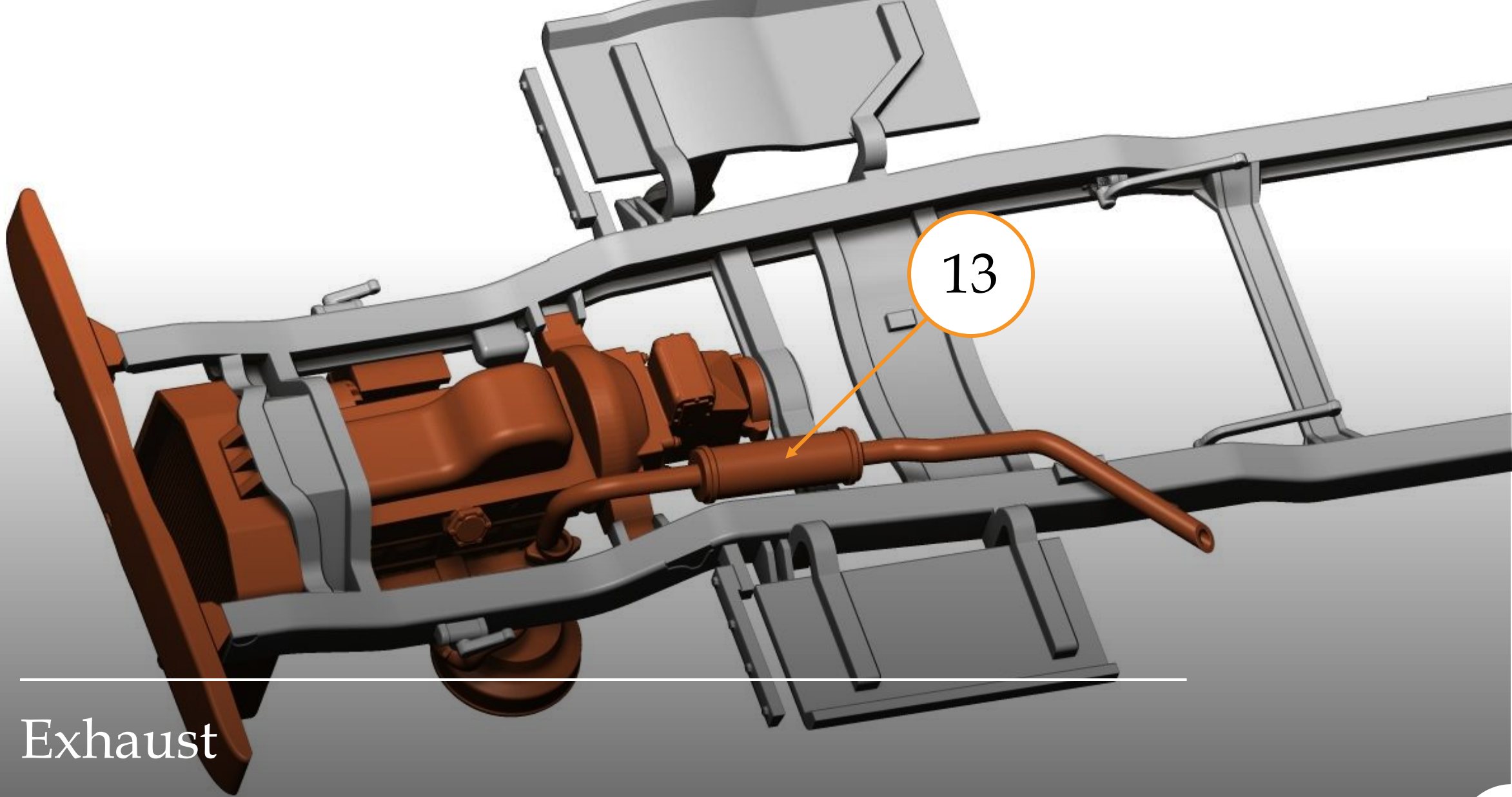
E-R



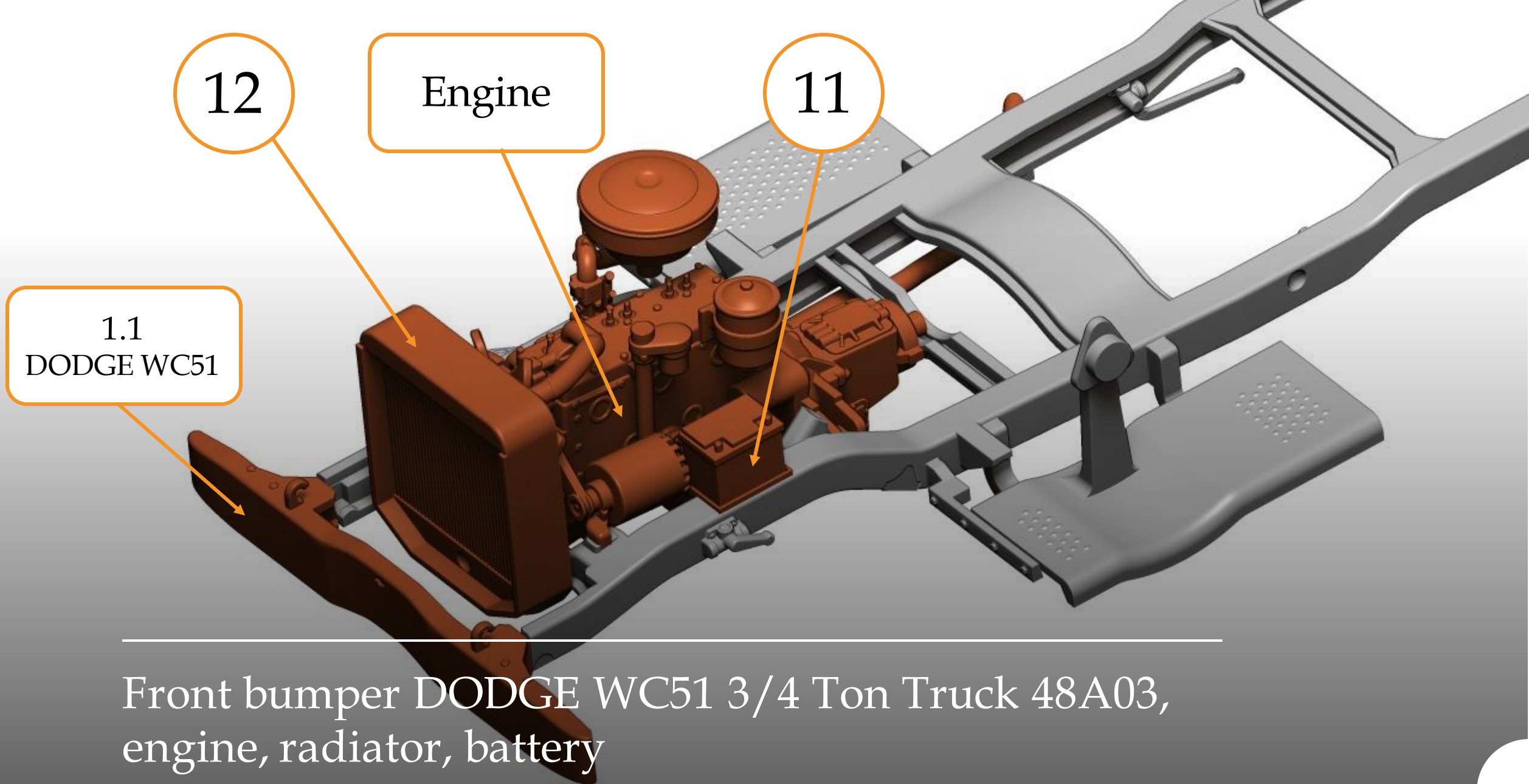
Engine and battery



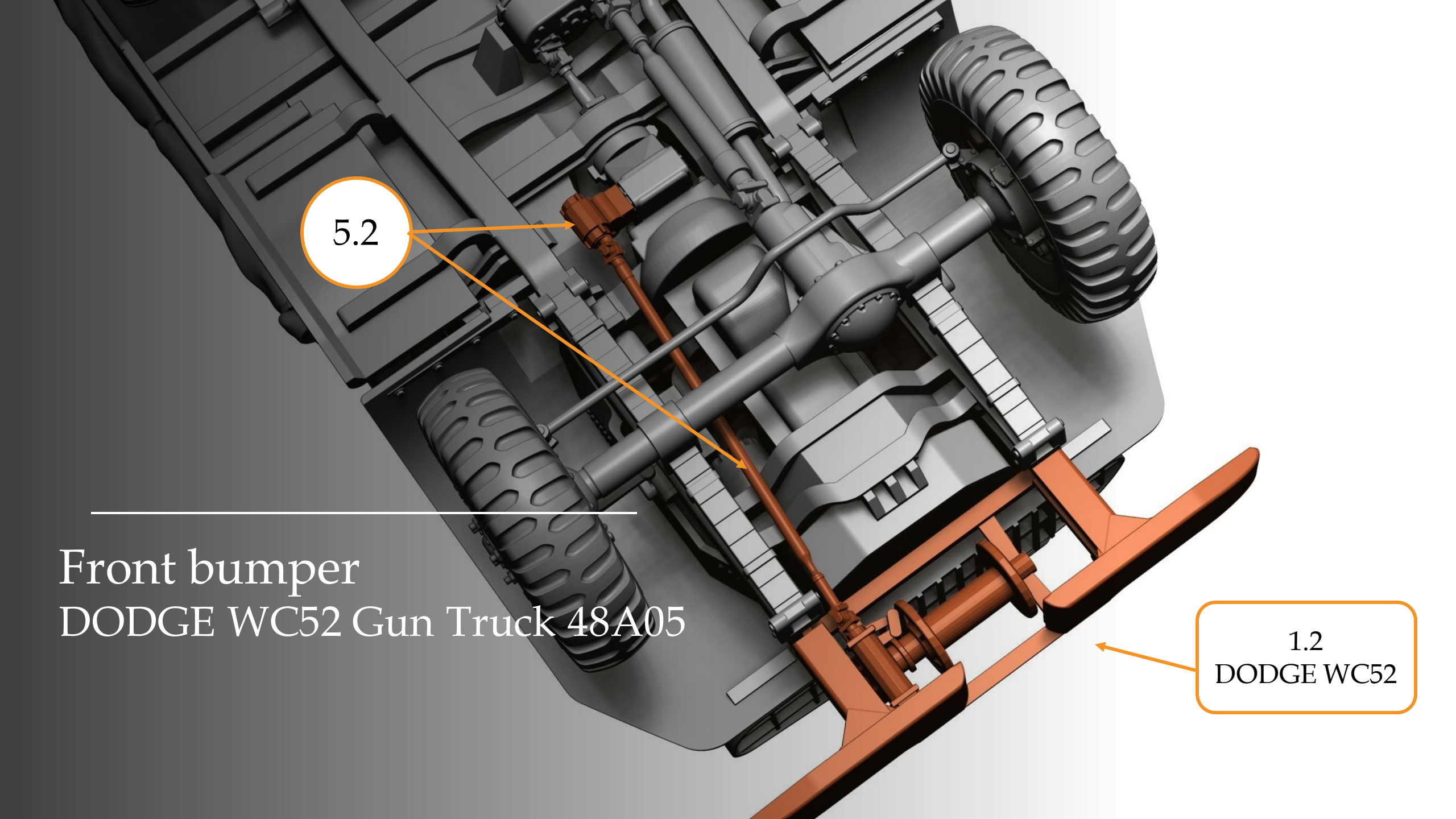
Rear bumper



Exhaust



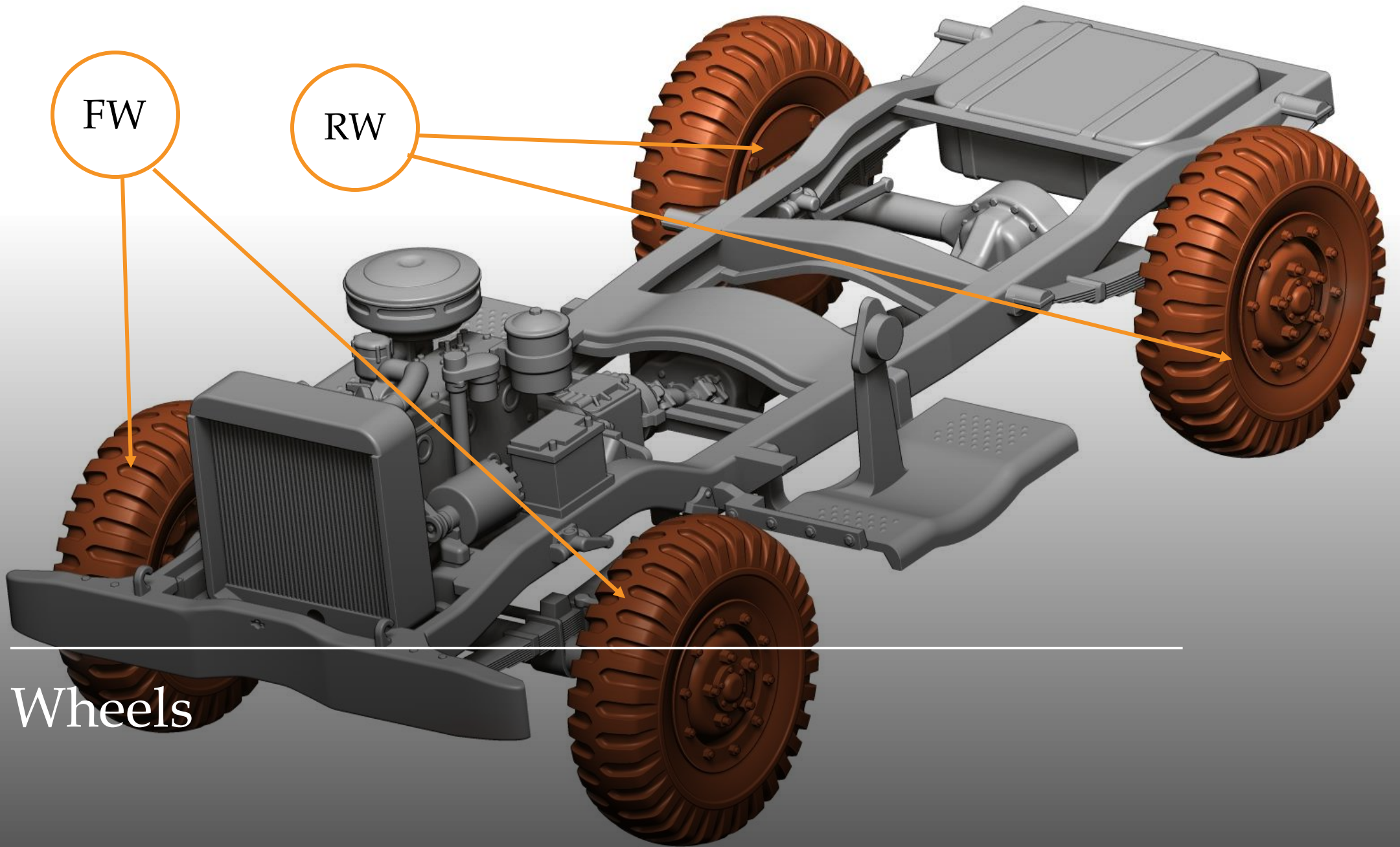
Front bumper DODGE WC51 3/4 Ton Truck 48A03,
engine, radiator, battery



5.2

Front bumper
DODGE WC52 Gun Truck 48A05

1.2
DODGE WC52

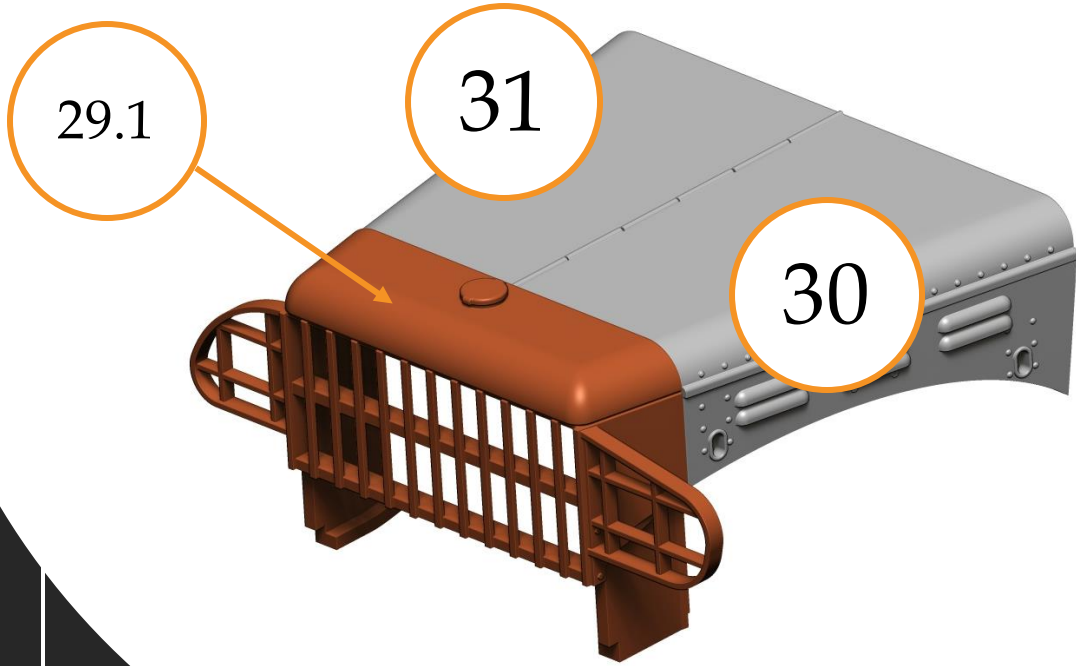


FW

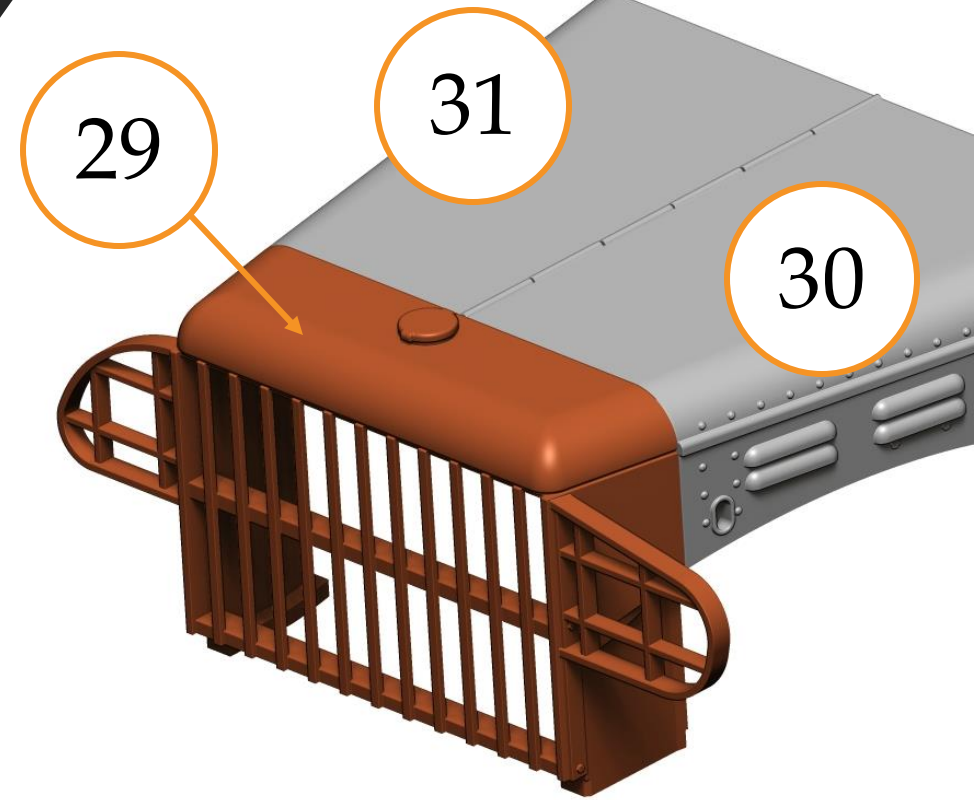
RW

Wheels

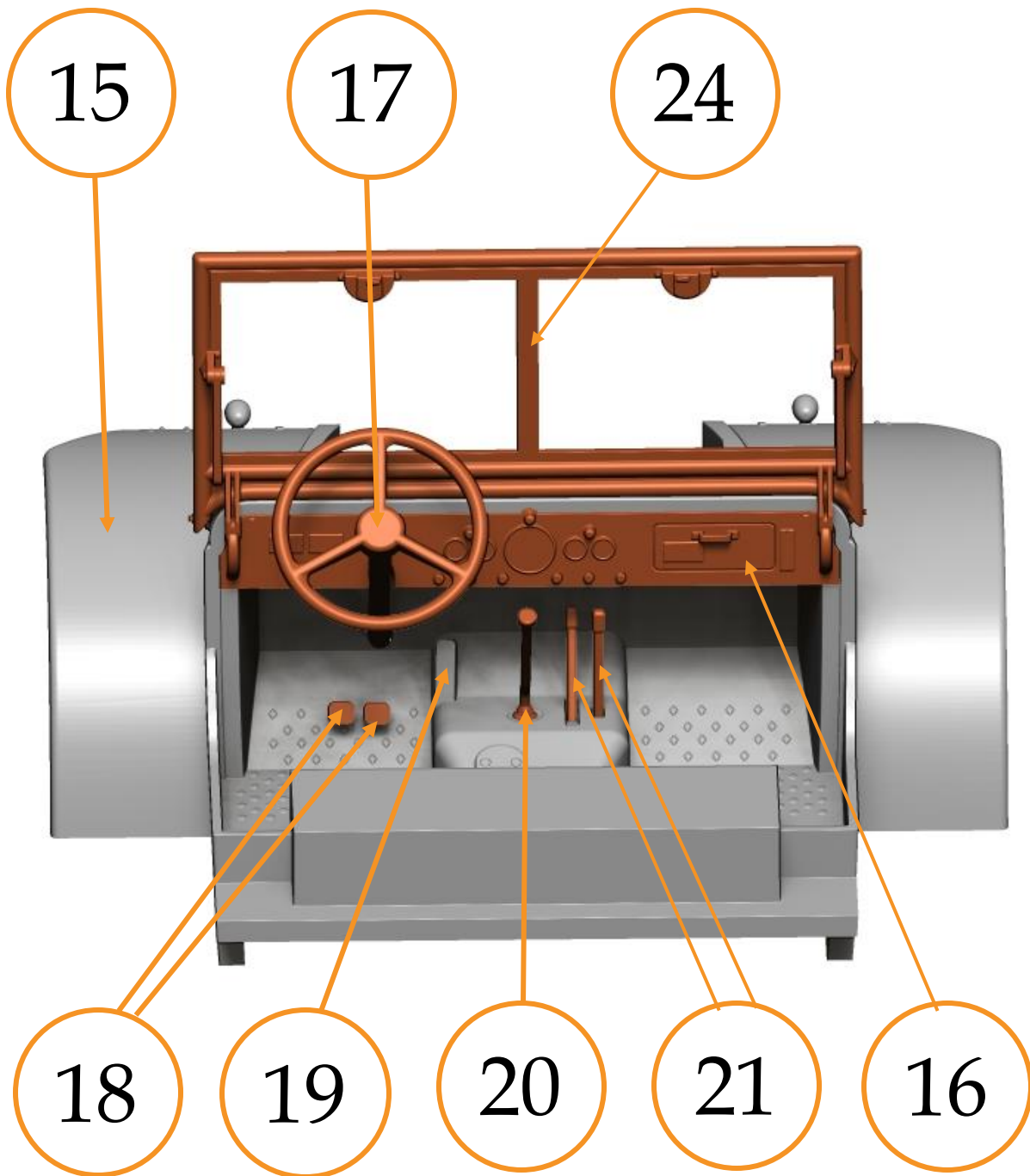
DODGE WC52 - 48A05



DODGE WC51 - 48A03



Engine hood



Cab interior

- 15 - body
- 16 - instrument panel
- 17 - steering wheel
- 18 - brake & clutch pedal
- 19 - accelerator pedal
- 20 - gearbox lever
- 21 - off-roads lever
- 24 - window frame

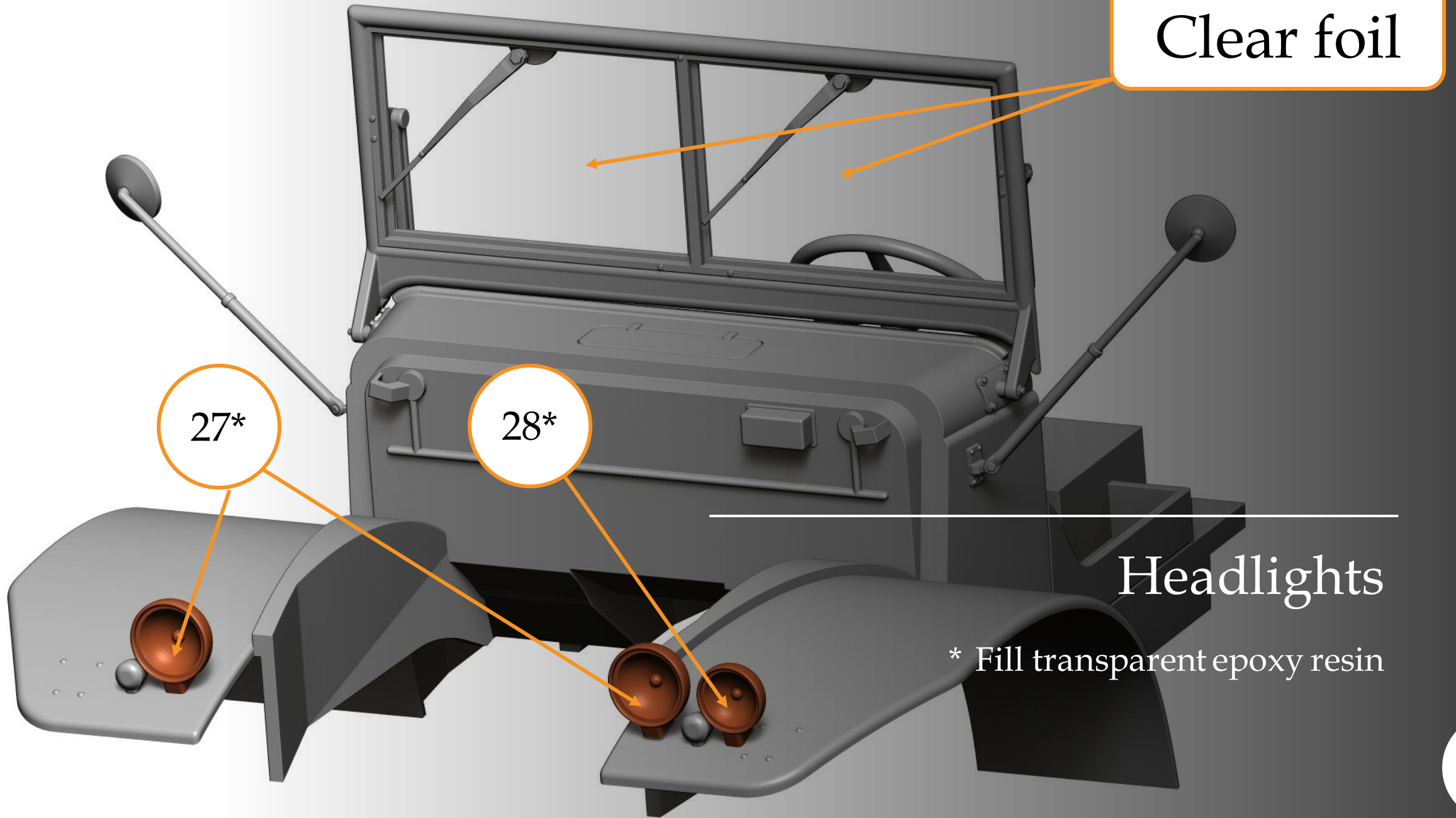
Clear foil

27*

28*

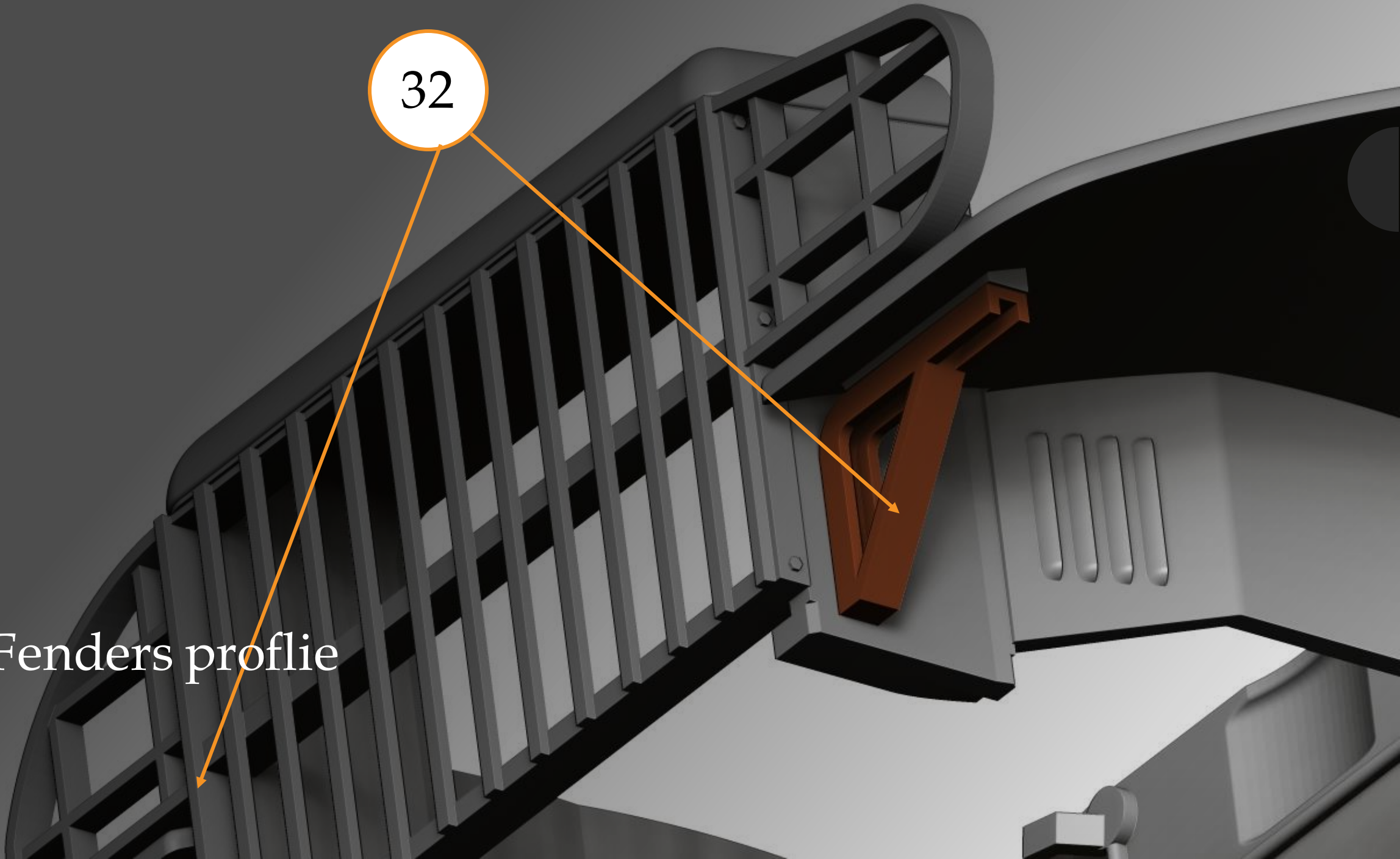
Headlights

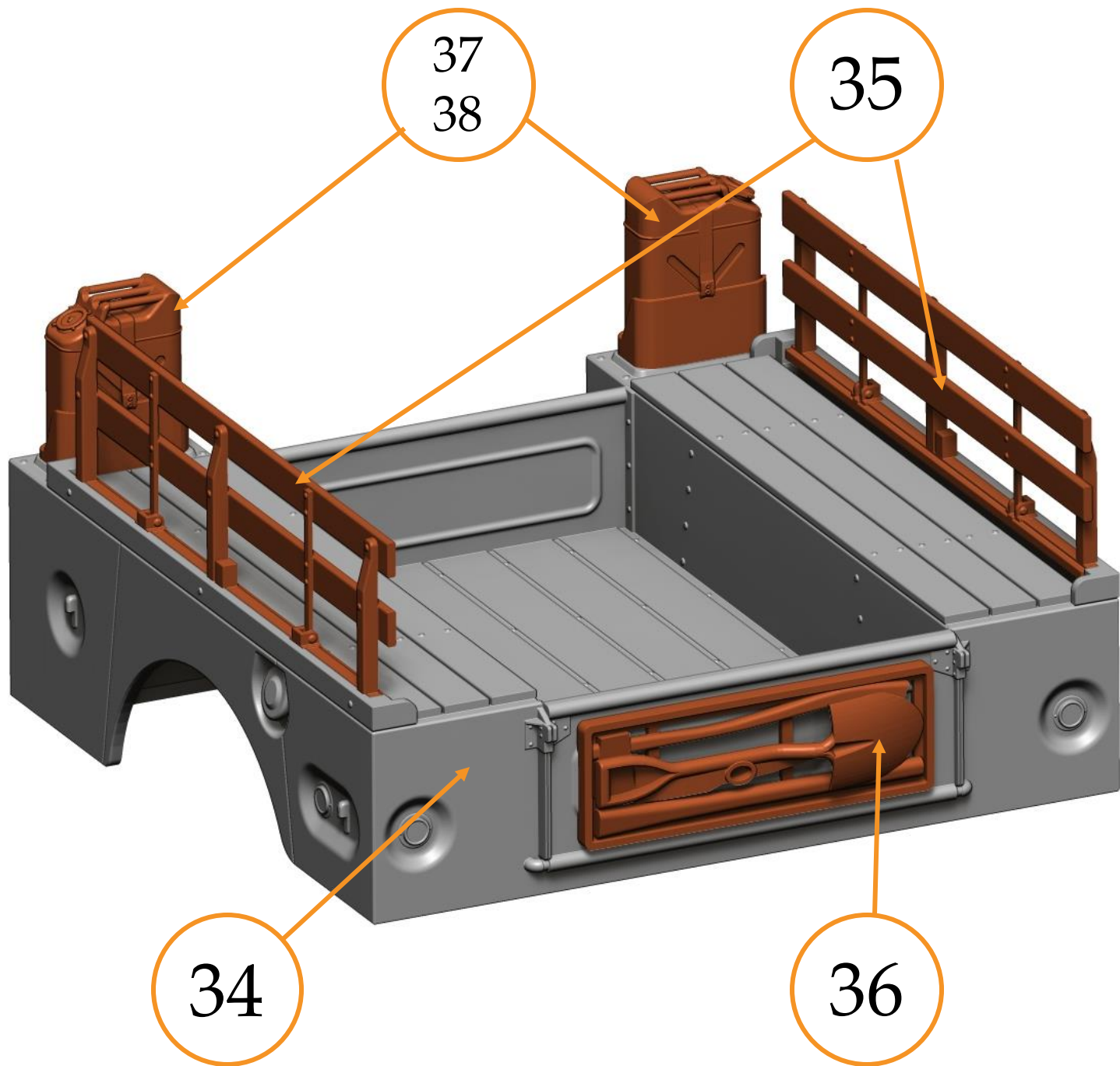
* Fill transparent epoxy resin



32

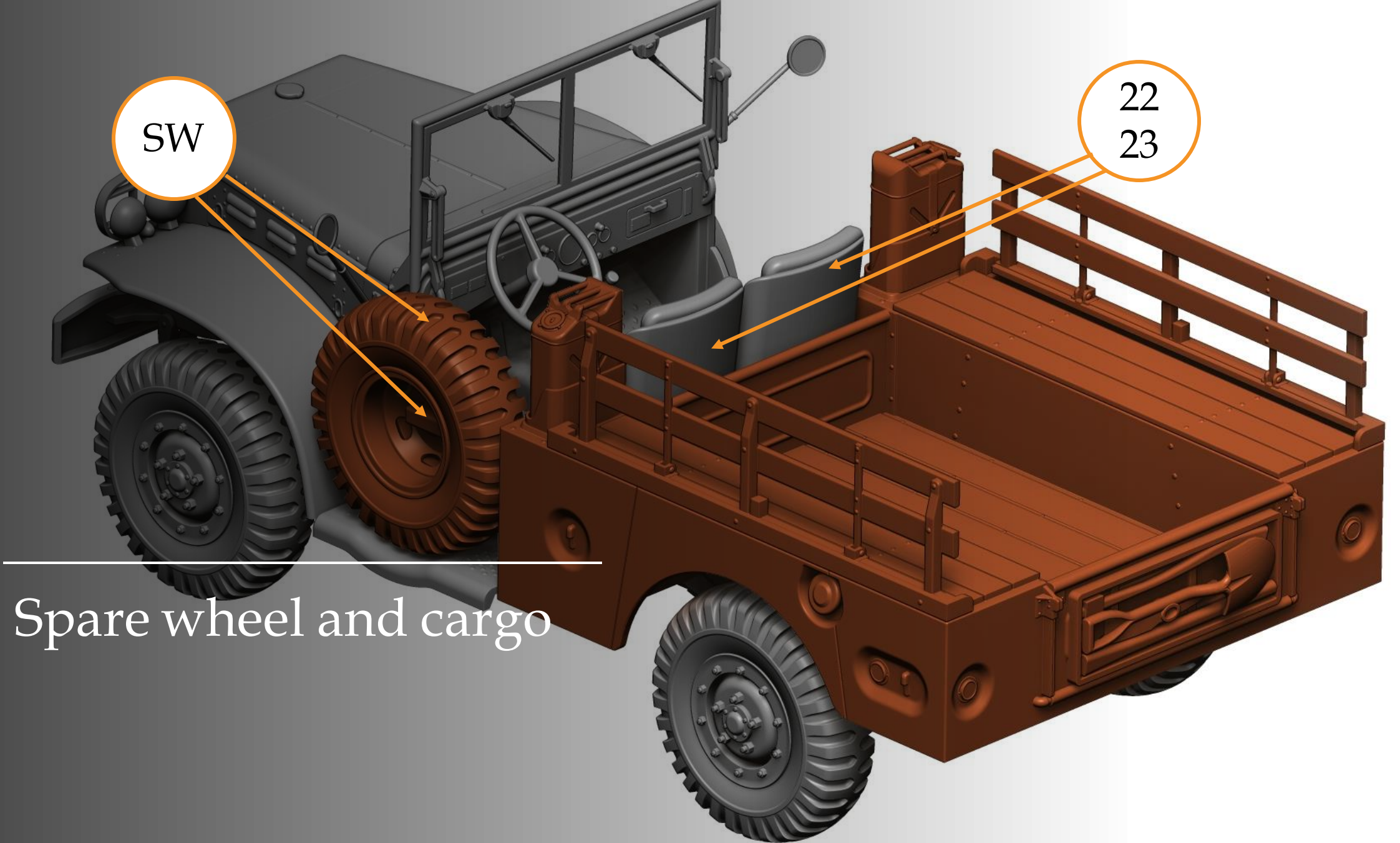
Fenders proflie





Cargo

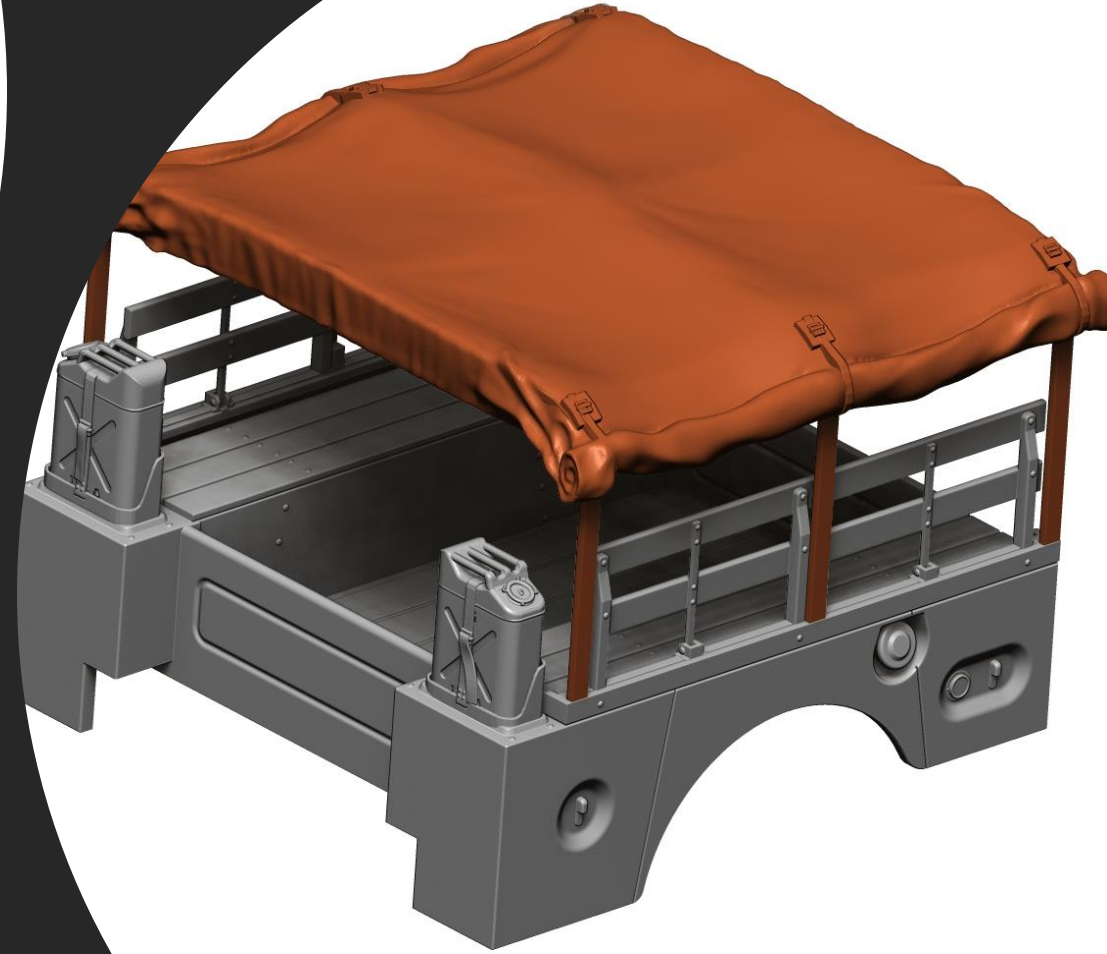
- 34 – cargo body 4x4
- 35 – cargo railings
- 36 – tools frame
- 37/38 – canisters



DODGE WC51 - 48A03



Canvas



DODGE WC52 - 48A05

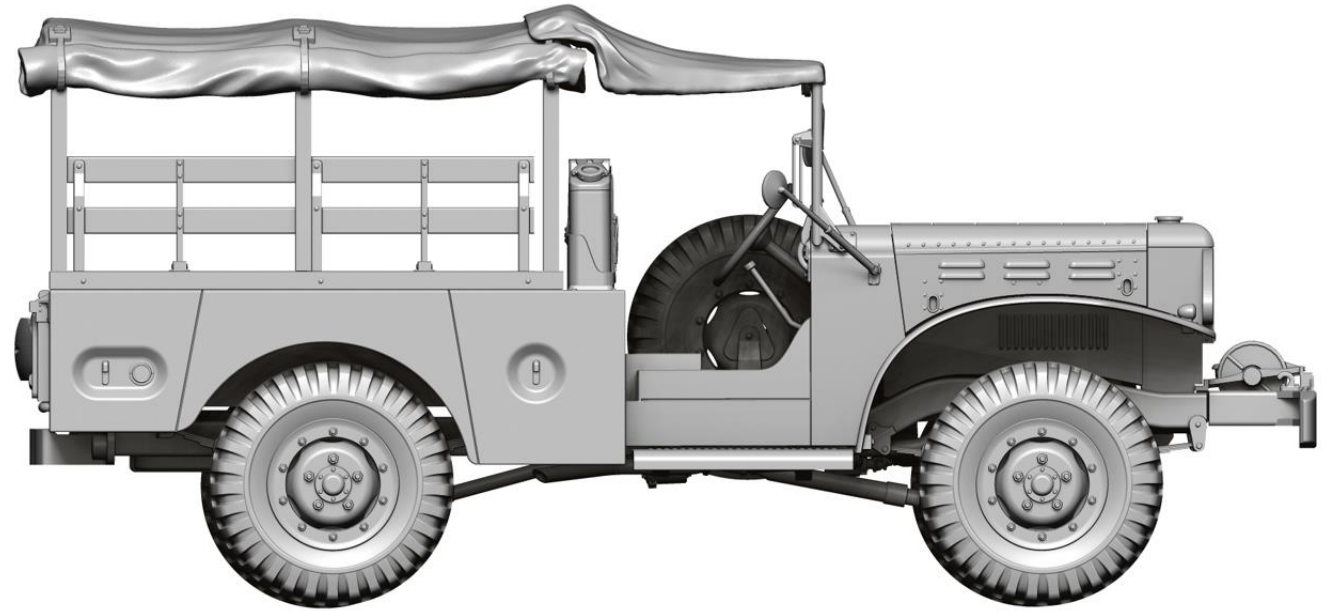


DOGFIGHT
WORKSHOP

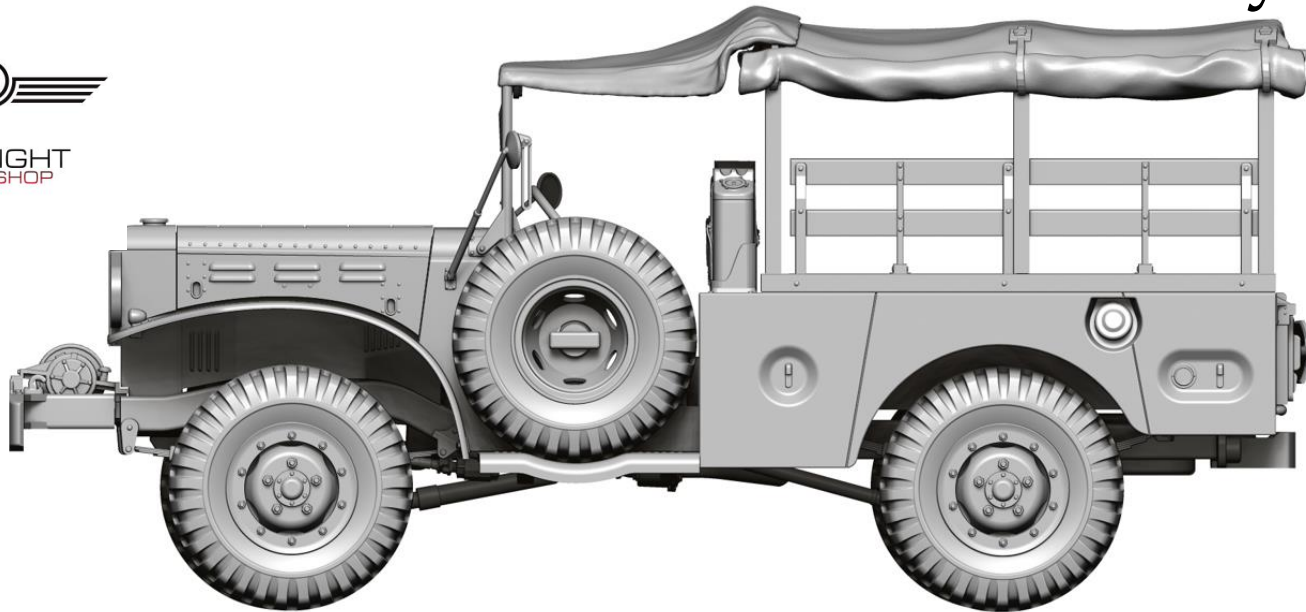
DODGE WC51/52
U.S. Military ¾ Ton Truck

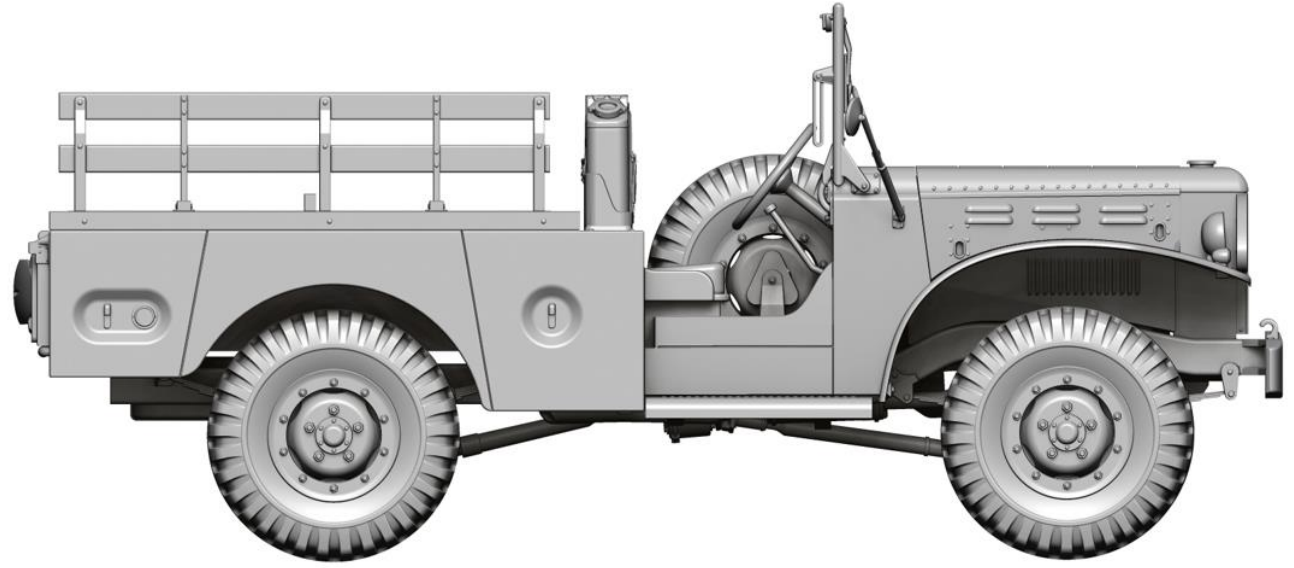
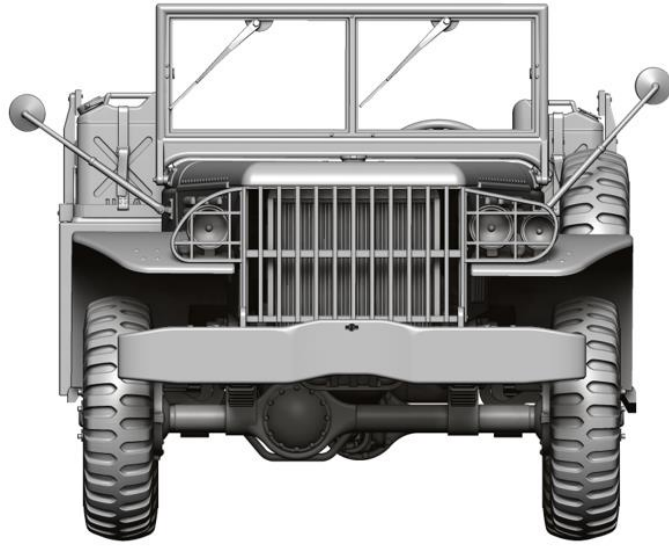
General view



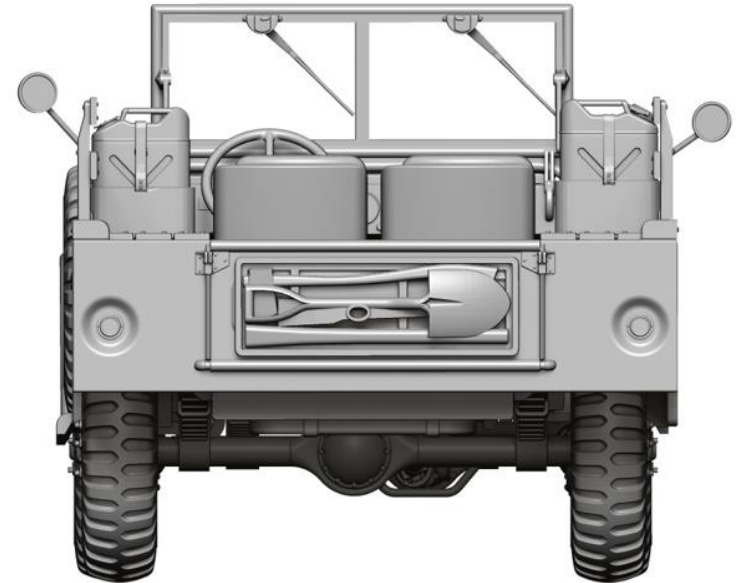
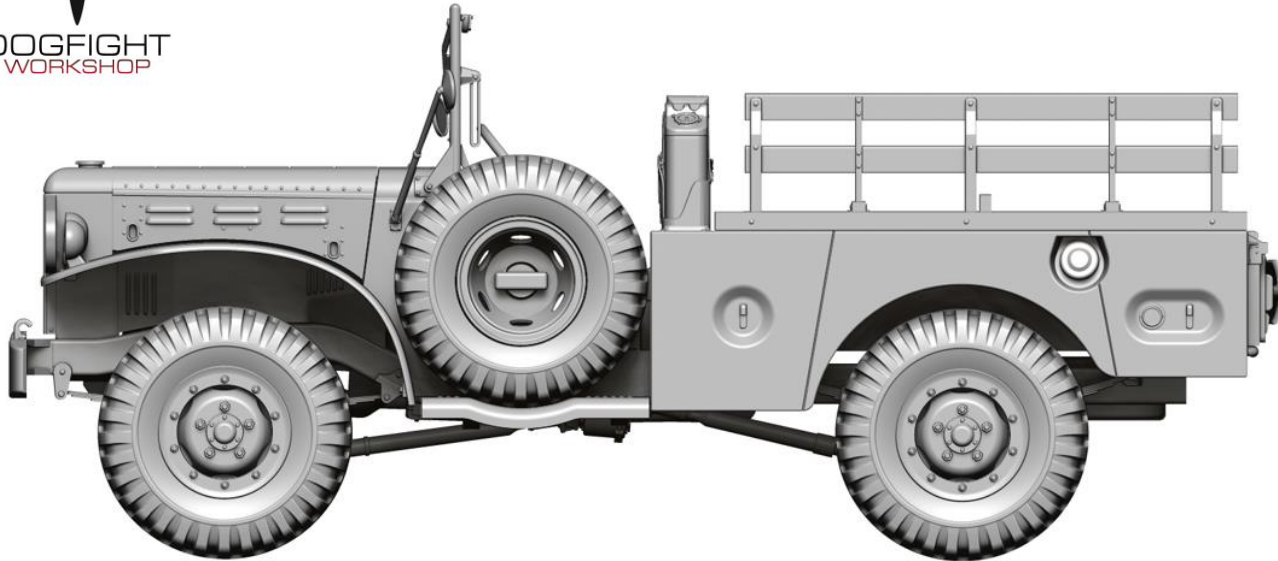


DODGE WC52 U.S. Military $\frac{3}{4}$ Ton Truck 48A05





DODGE WC51 U.S. Military $\frac{3}{4}$ Ton Truck 48A03





DOGFIGHT
WORKSHOP

Thank you for choosing our product. With each subsequent one we make every effort to make our models better and better.

Happy Modelling

Dogfight Workshop Team

dogfightworkshop@gmail.com