



DOGFIGHT
WORKSHOP

DODGE WC54

U.S. Military Ambulance

scale 1/48

Full 3D printed

1/48 Military Miniature Series No.: 48A04

Overall Length 103mm

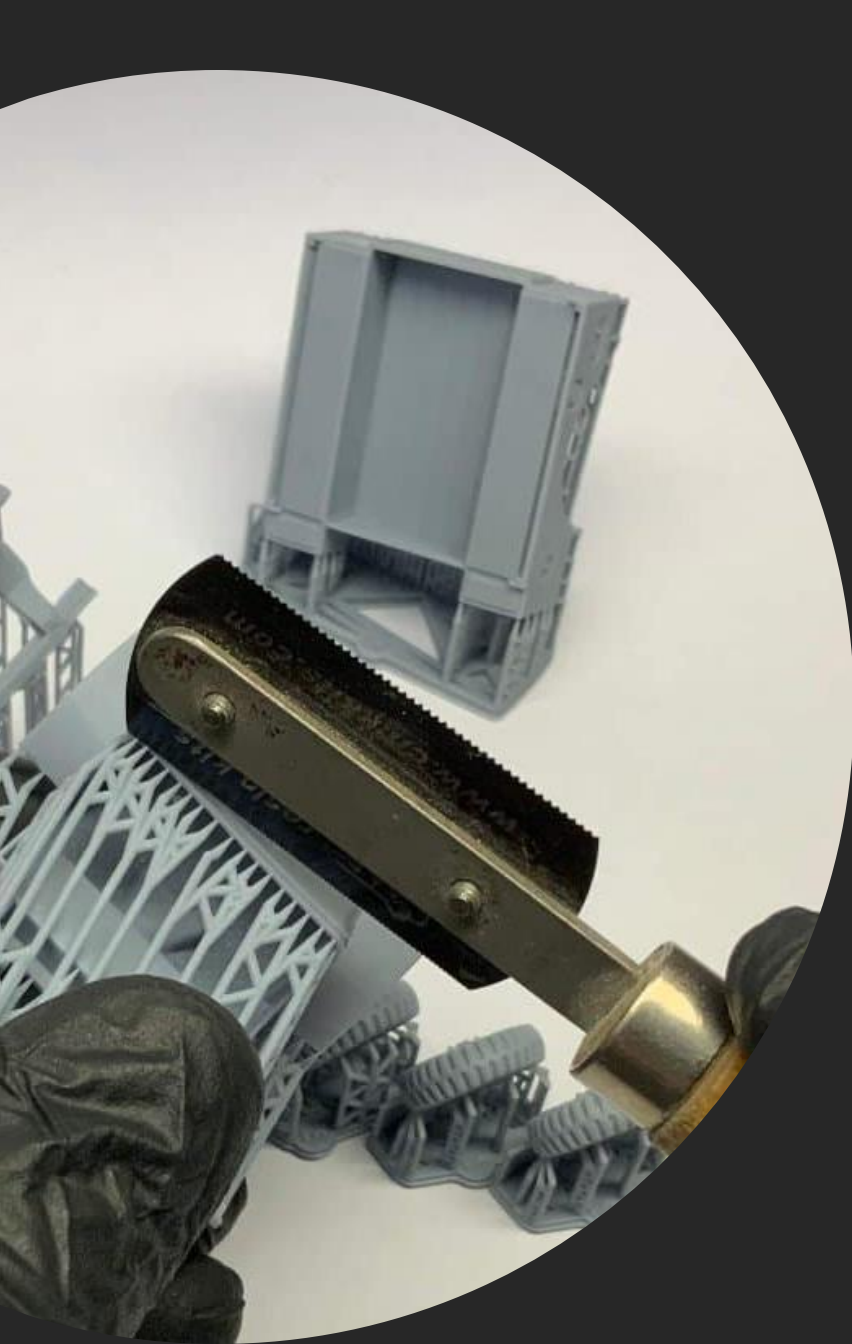


DOGFIGHT
WORKSHOP

Thank you for choosing our product.
Our models are made in 3D
printing technology from
photopolymer resins.

Below are some steps, tips
and tricks on how to prepare
our product for building.

Happy Modelling !



A few tips and tricks in the preparation of our models

- 1 - *Cutting off printing supports ...*
 - *modelling knife*
 - *modelling cutter*
 - *modelling saw*



- 2 - Grinding and sanding ...
- modelling grinding wool
 - modelling sponge
 - modelling file

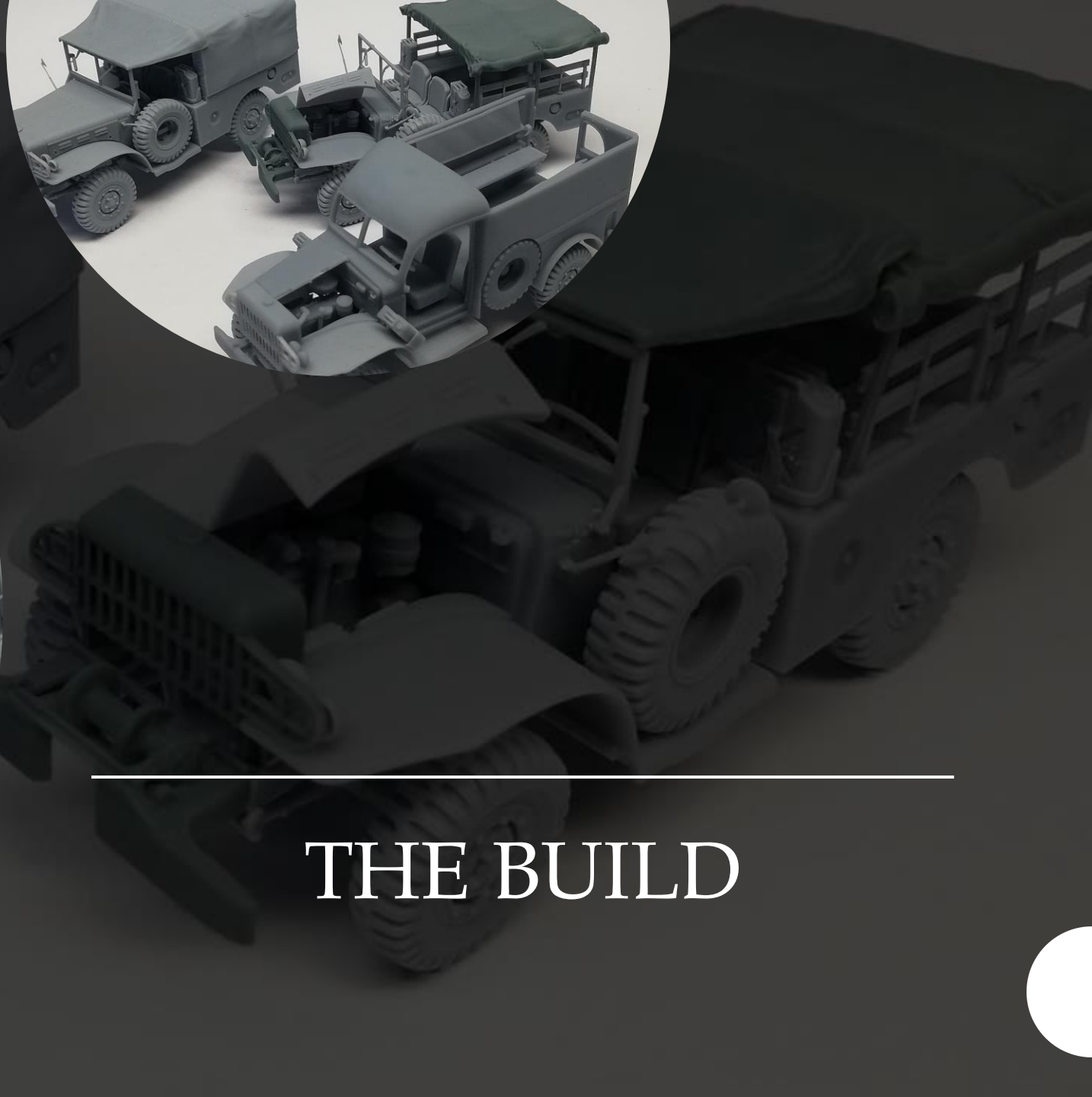
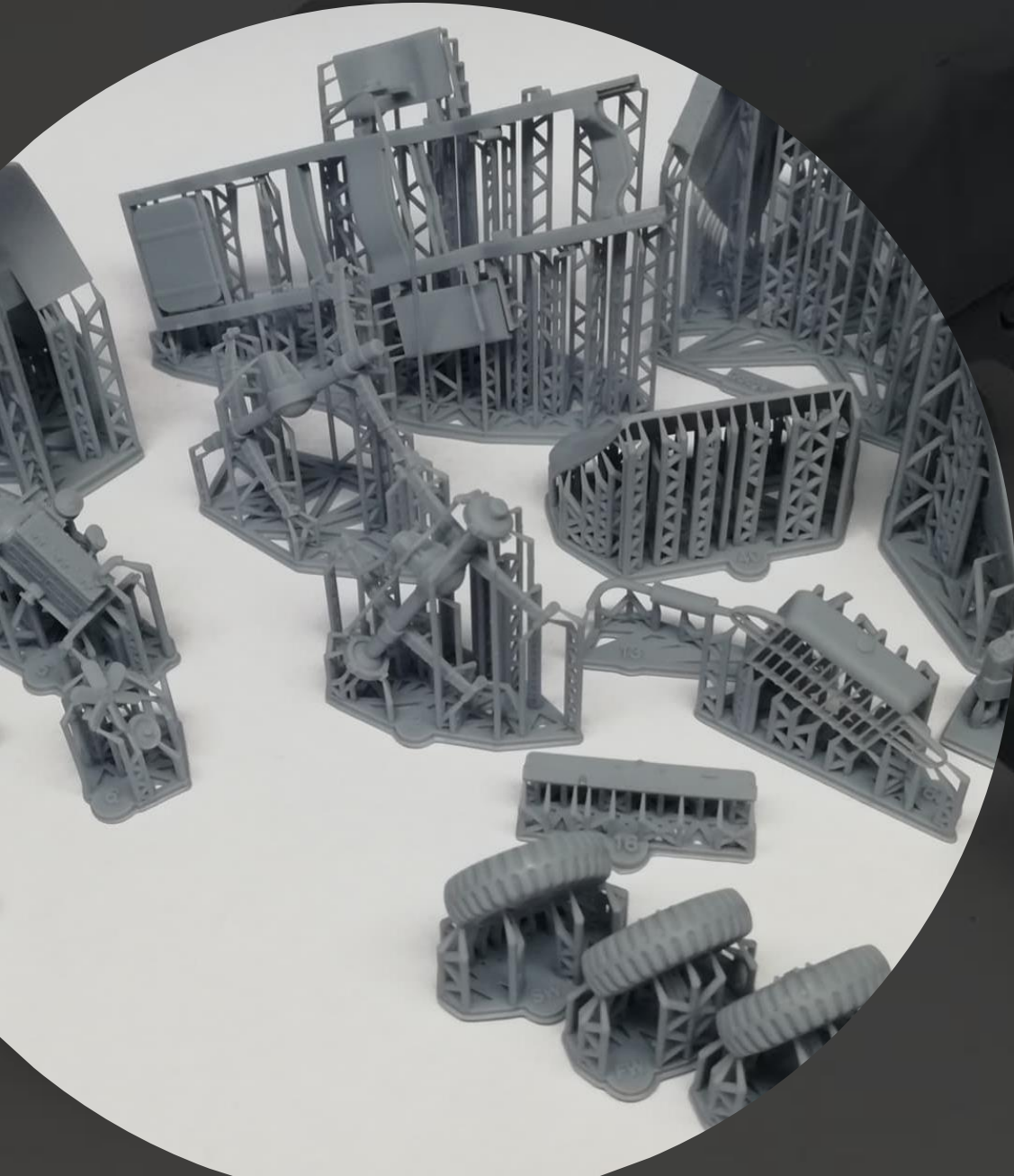


3 - Assembly and painting ...

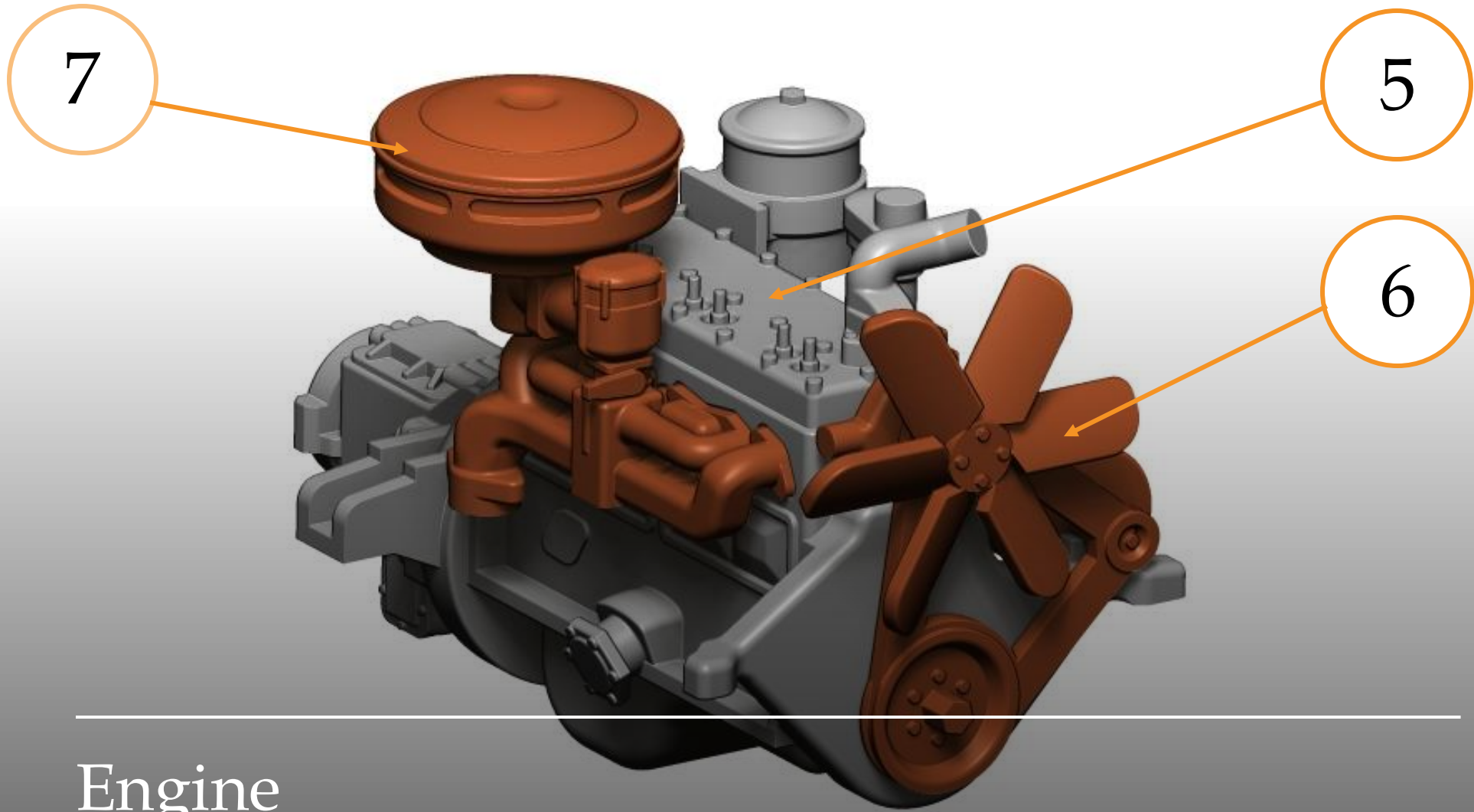
- quick CA glue*
- epoxy adhesive*
- white glue for clear parts*

4 - Priming ...

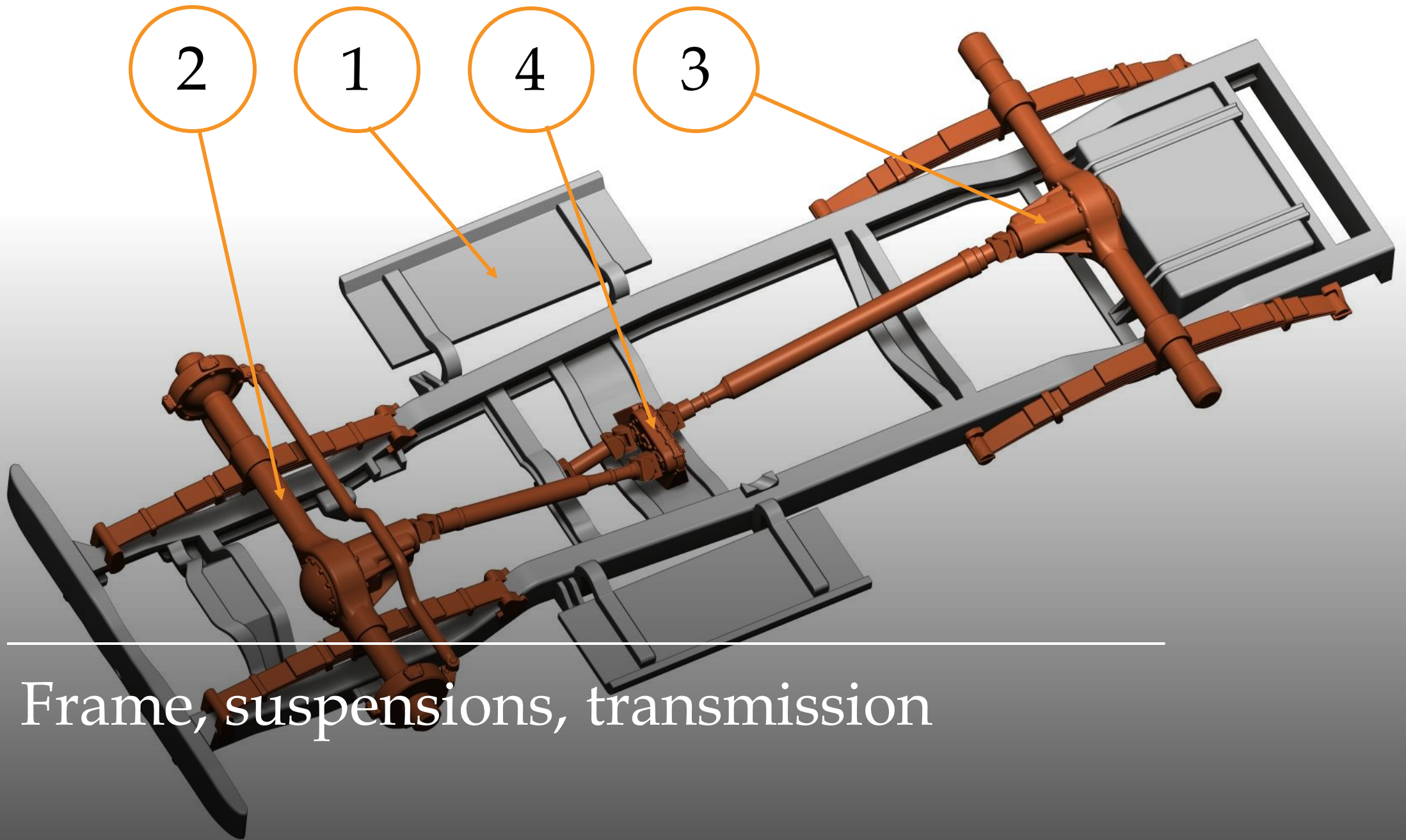
- Surfacer 1200, 1500 for airbrush*
- Surface Primer L Fine Spray*



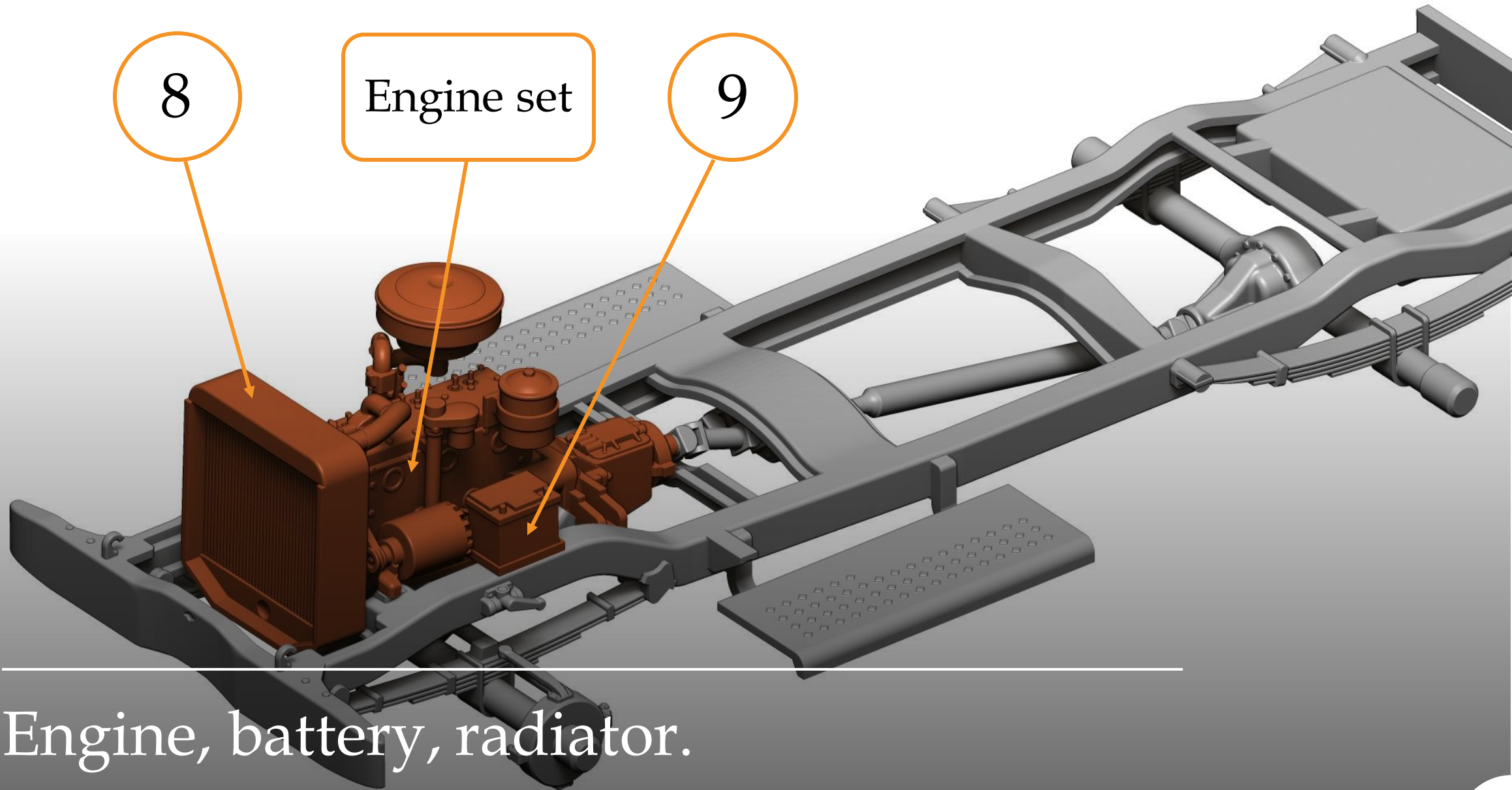
THE BUILD



Engine



Frame, suspensions, transmission

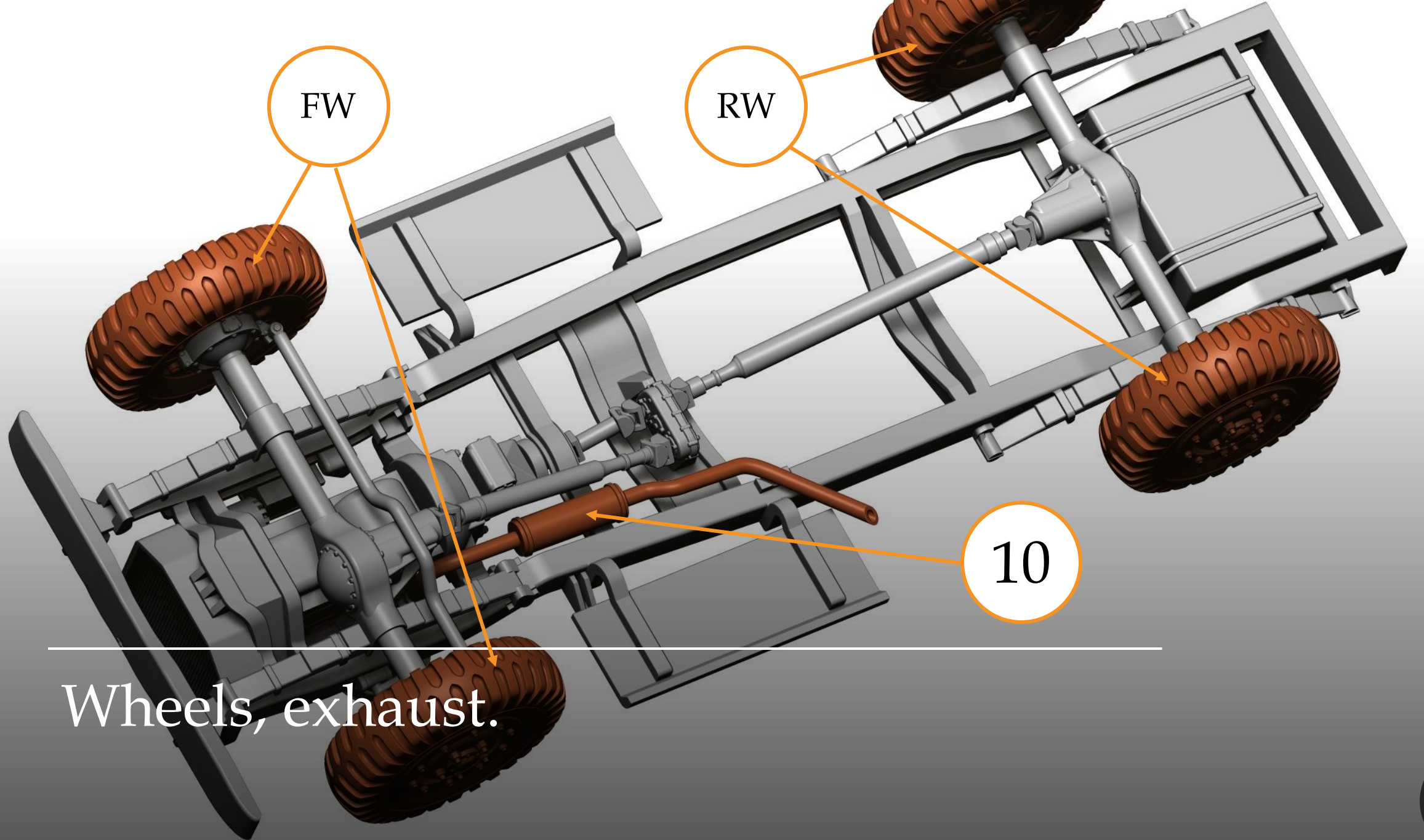


8

Engine set

9

Engine, battery, radiator.

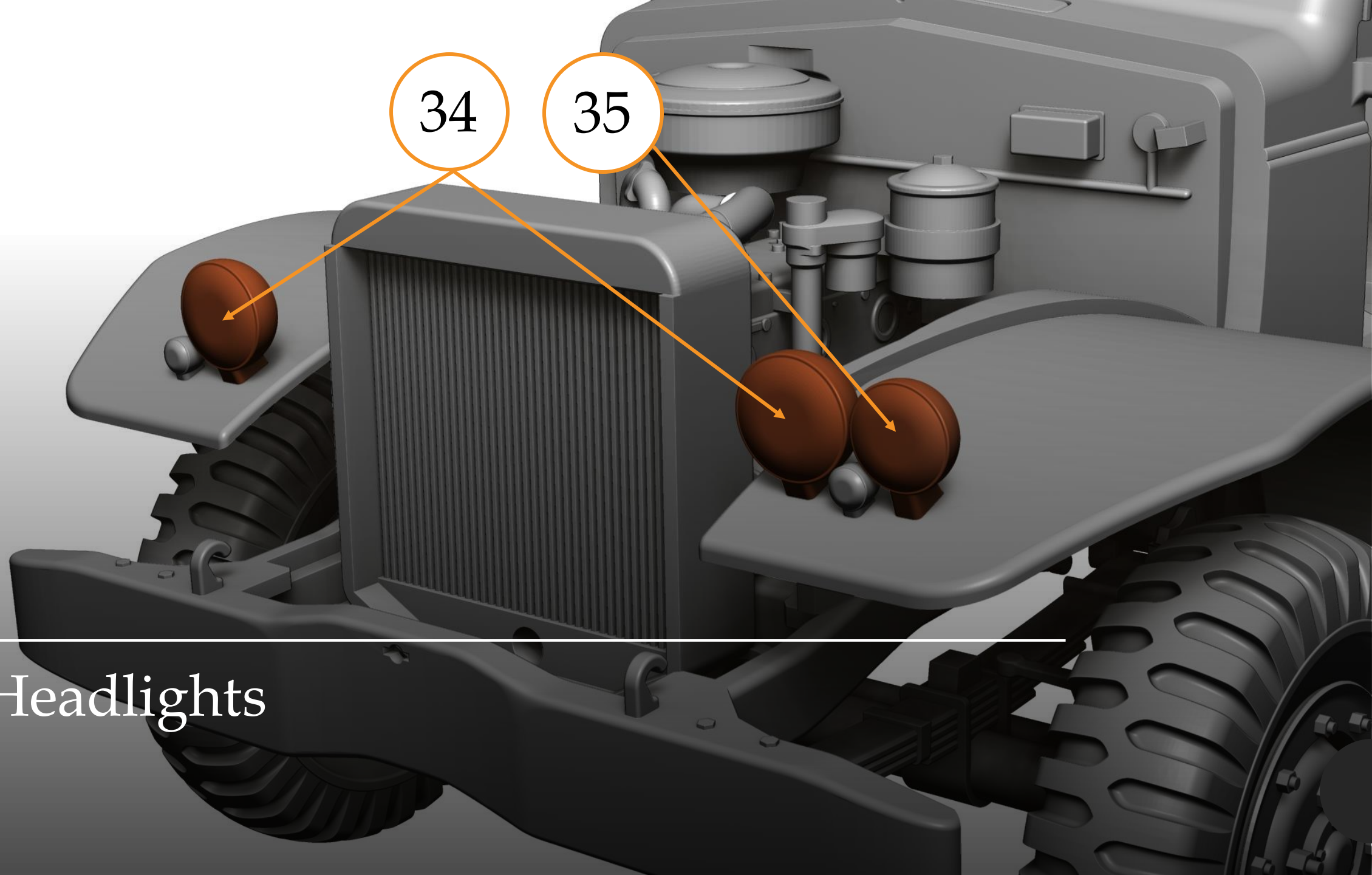


FW

RW

10

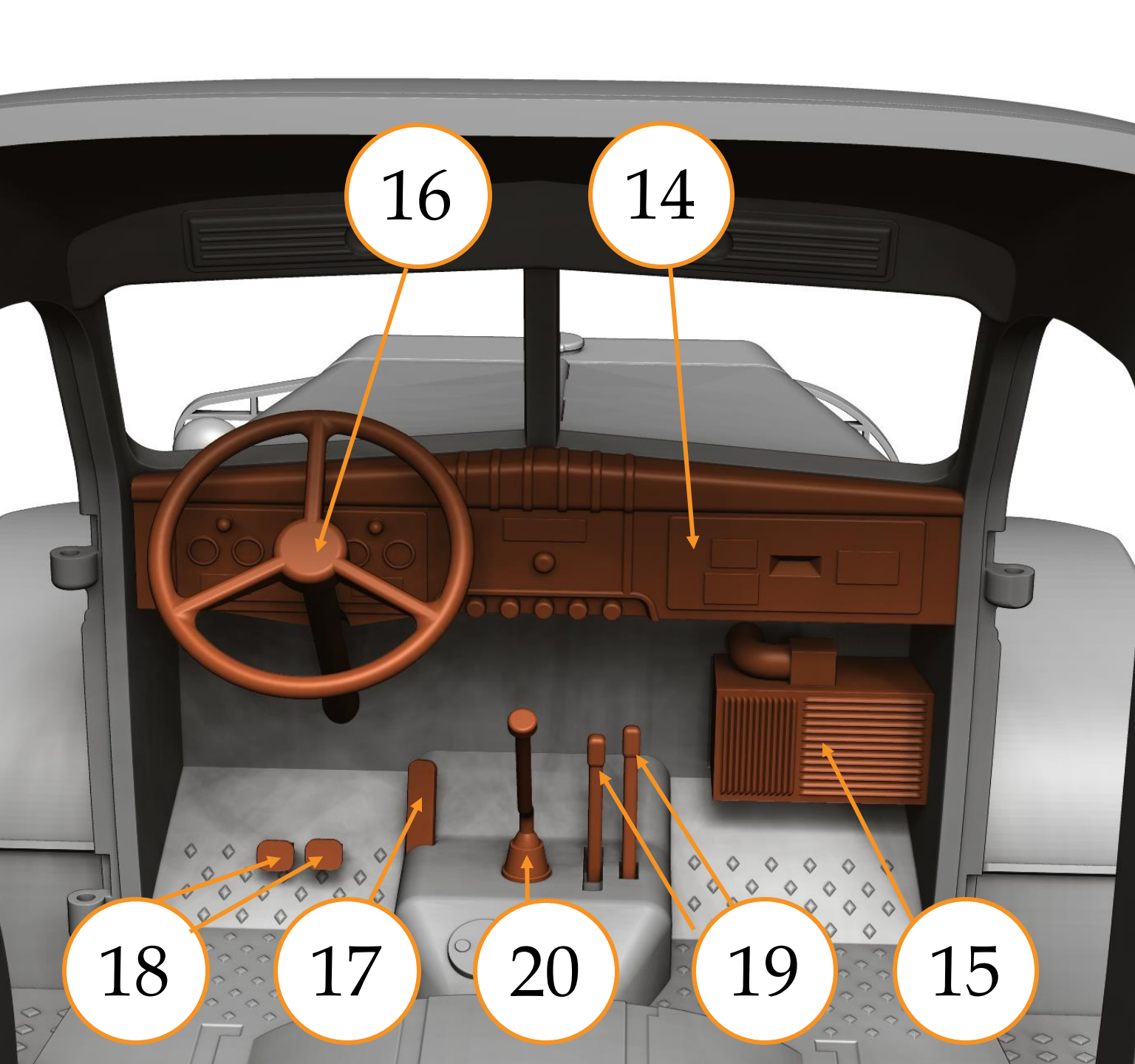
Wheels, exhaust.



34

35

Headlights



Cab interior

- 14 - instrument panel
- 15 - cabine filter
- 16 - steering wheel
- 17 - accelerator pedal
- 18 - brake & clutch pedal
- 19 - off-roads lever
- 20 - gearbox lever

18

17

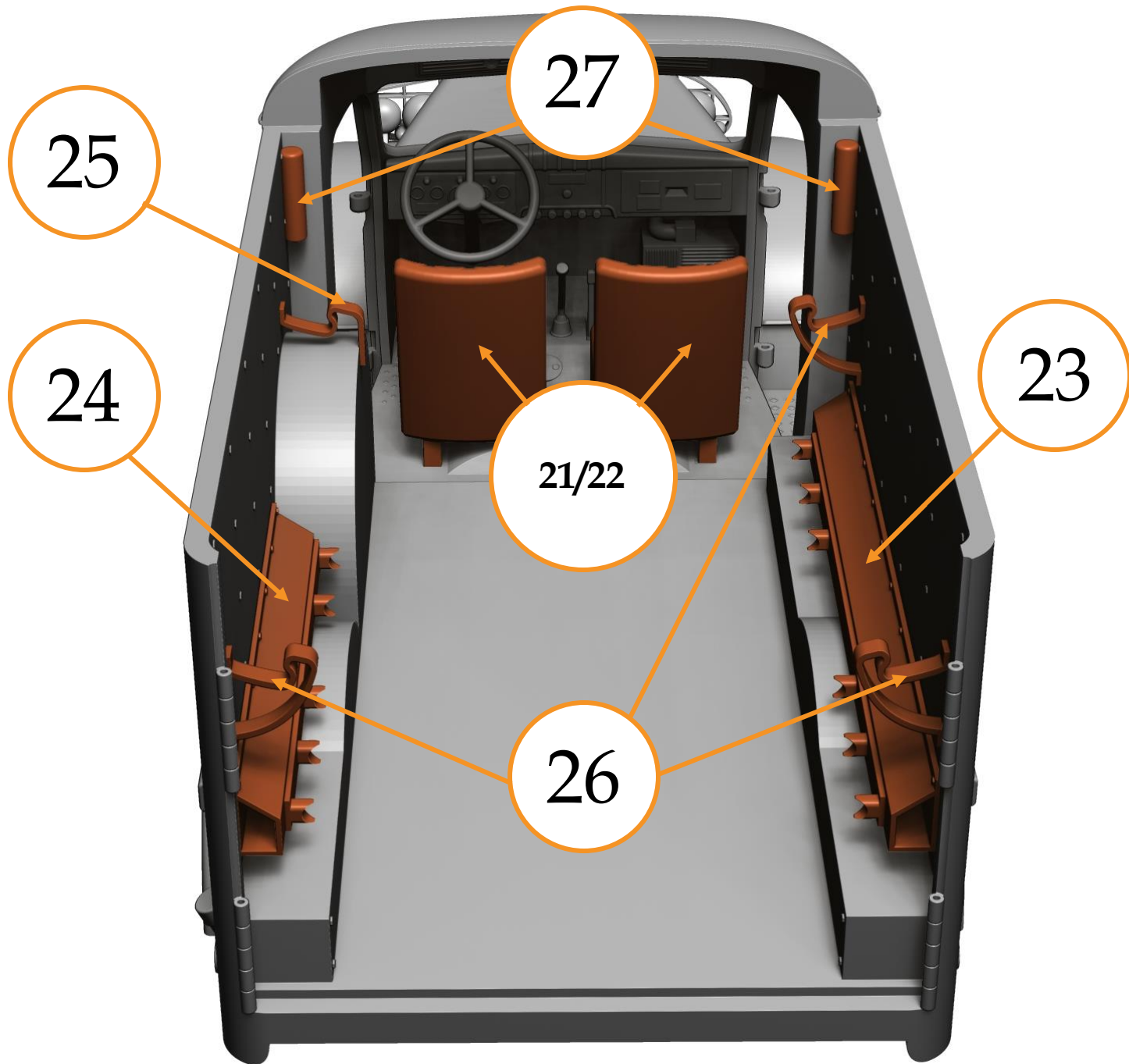
20

19

15

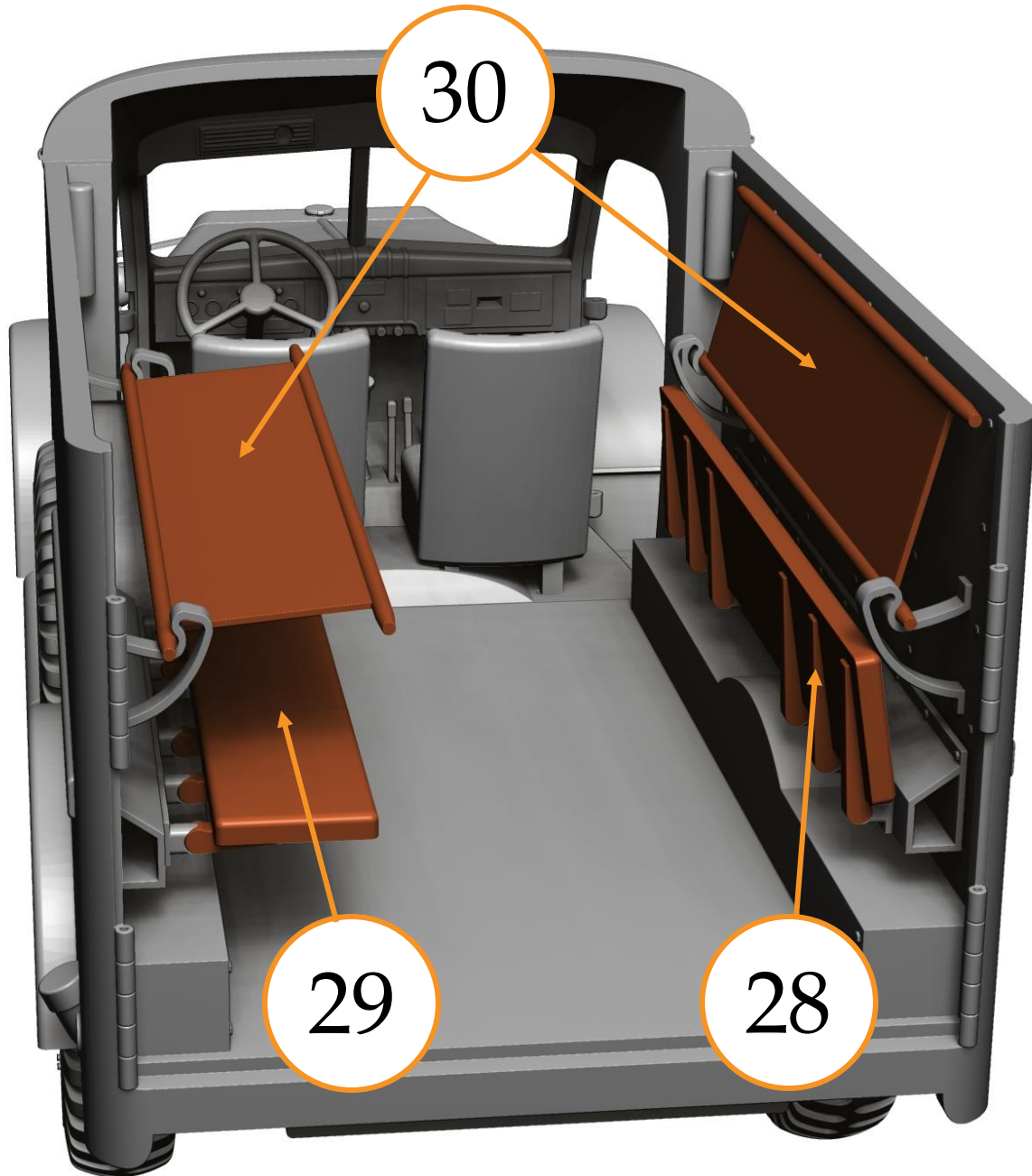
16

14



Med interior

- 21 - driver seat
- 22 - passenger seat
- 23 - right panel (long)
- 24 - left panel (short)
- 25 - hanger 1 pcs.
- 26 - hanger 3 pcs.
- 27 - interior details 2 pcs.

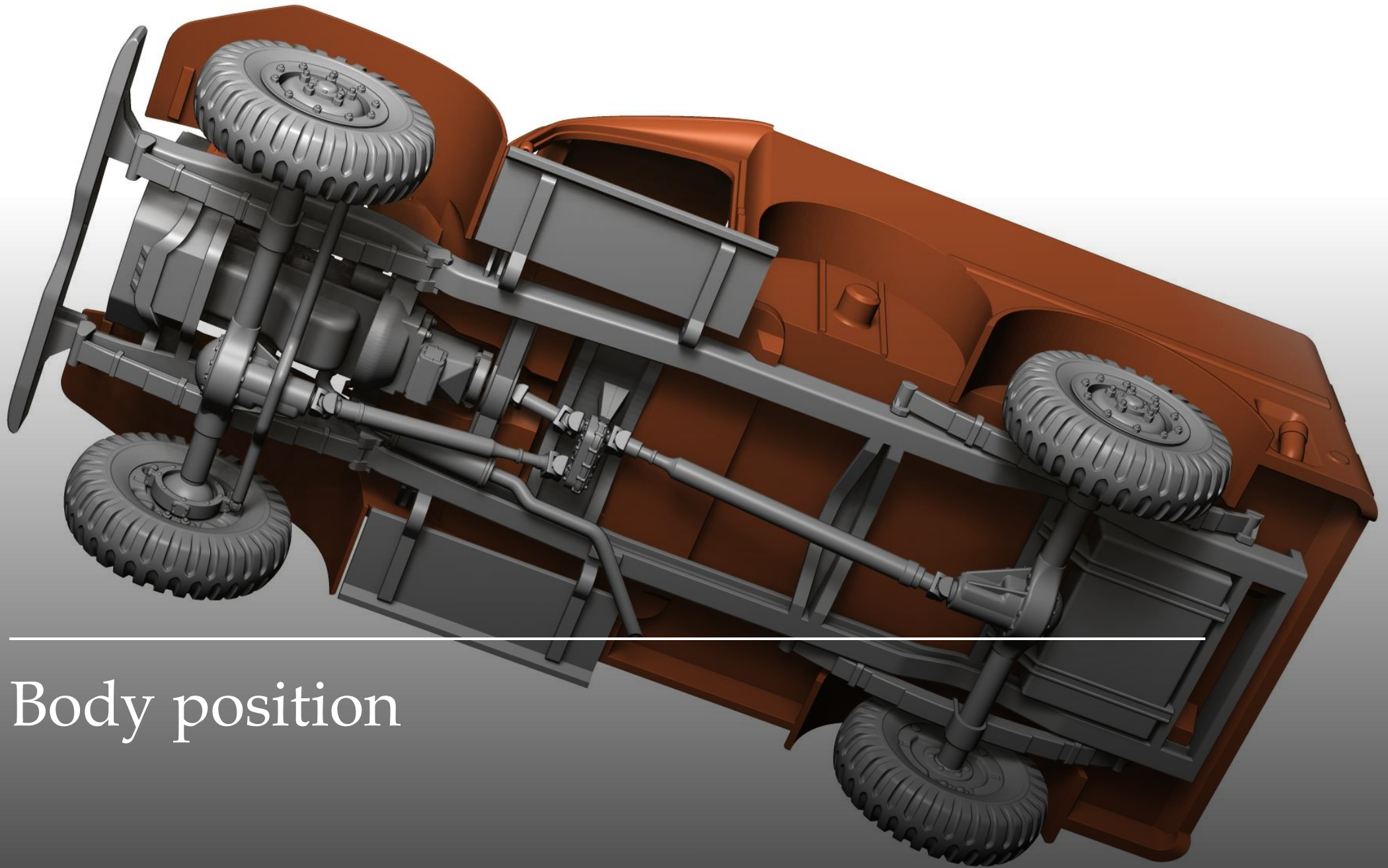


Med interior

28 – bench (long)

29 – bench (short)

30 - stretchers



Body position

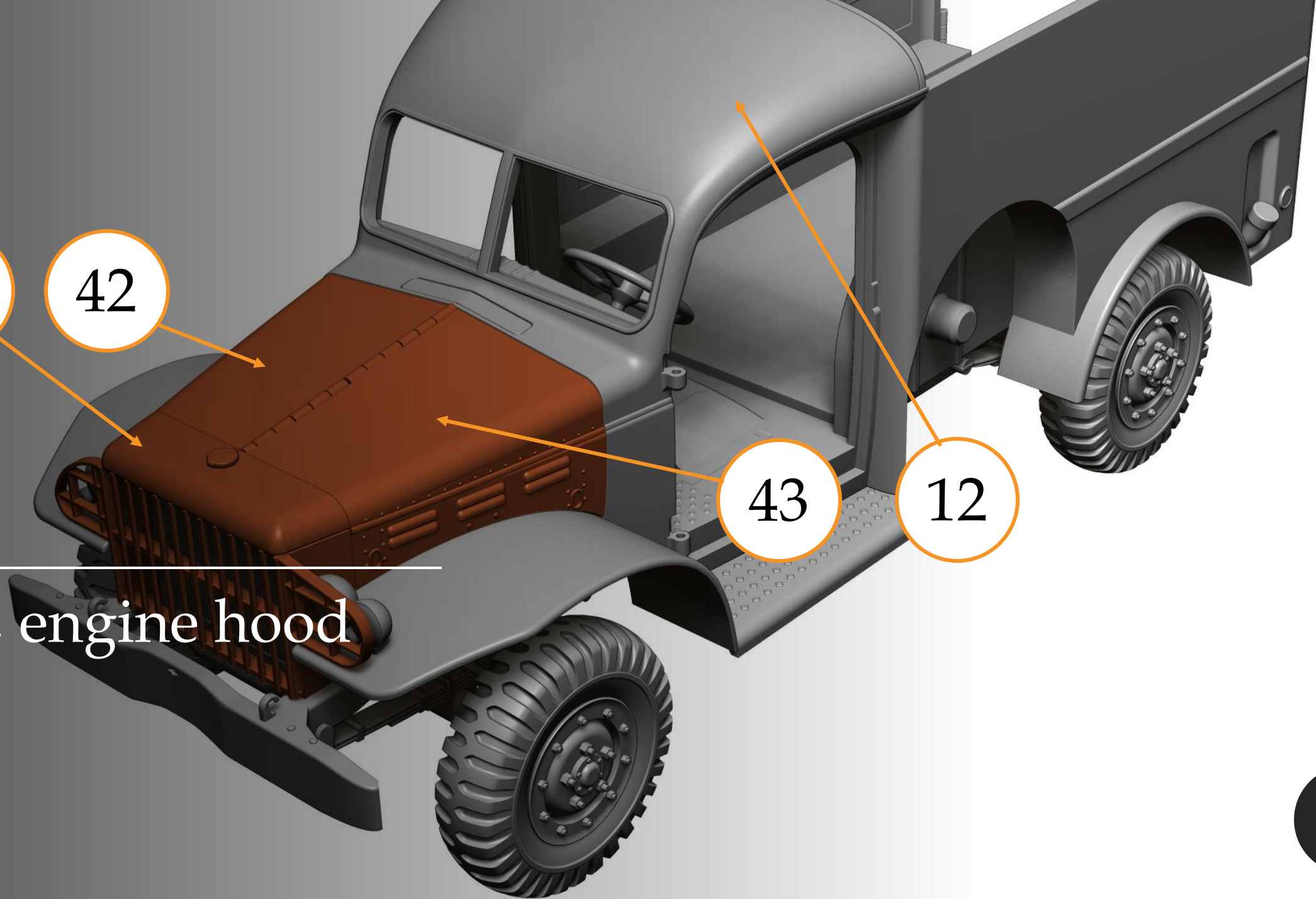
41

42

43

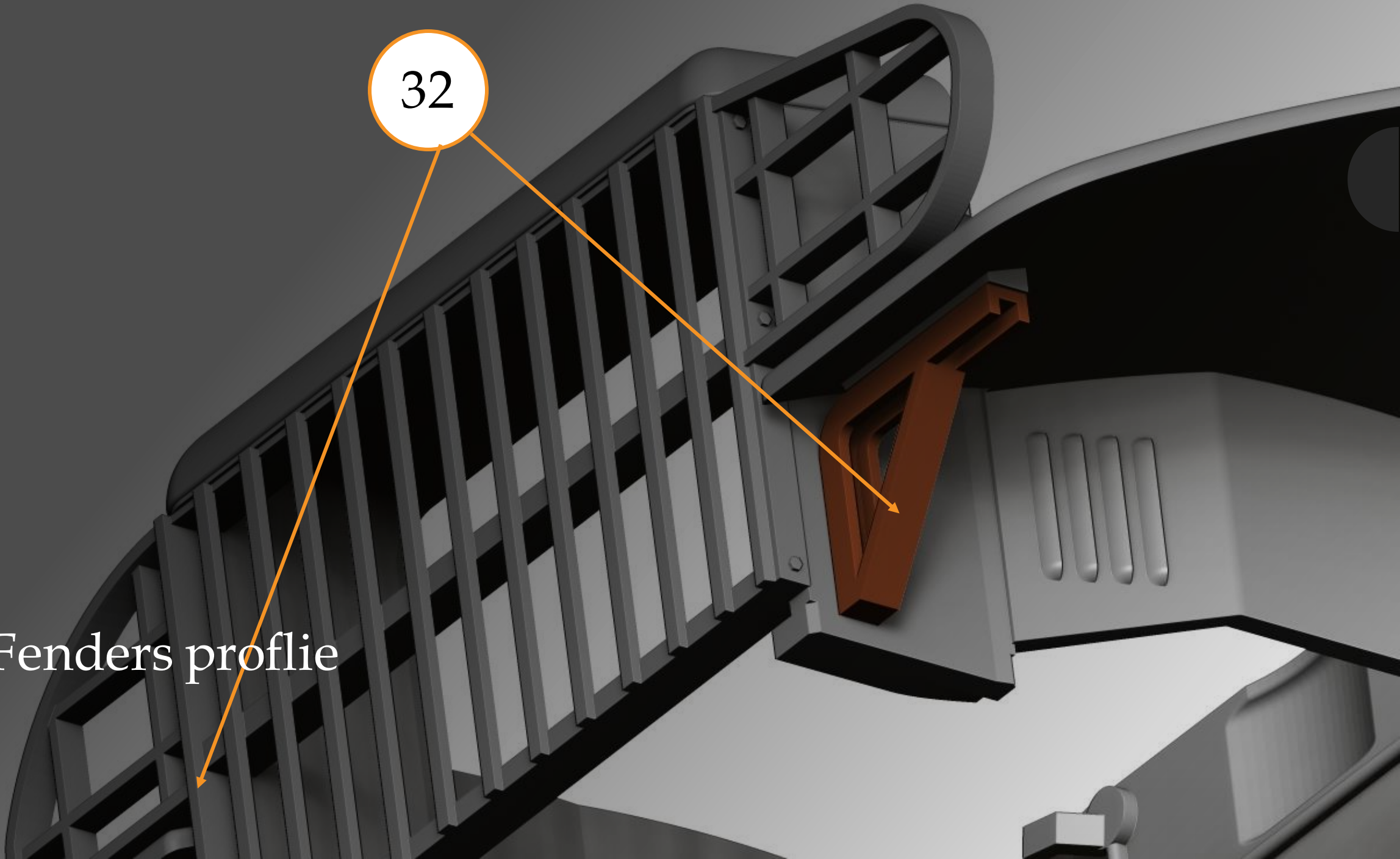
12

Body, engine hood



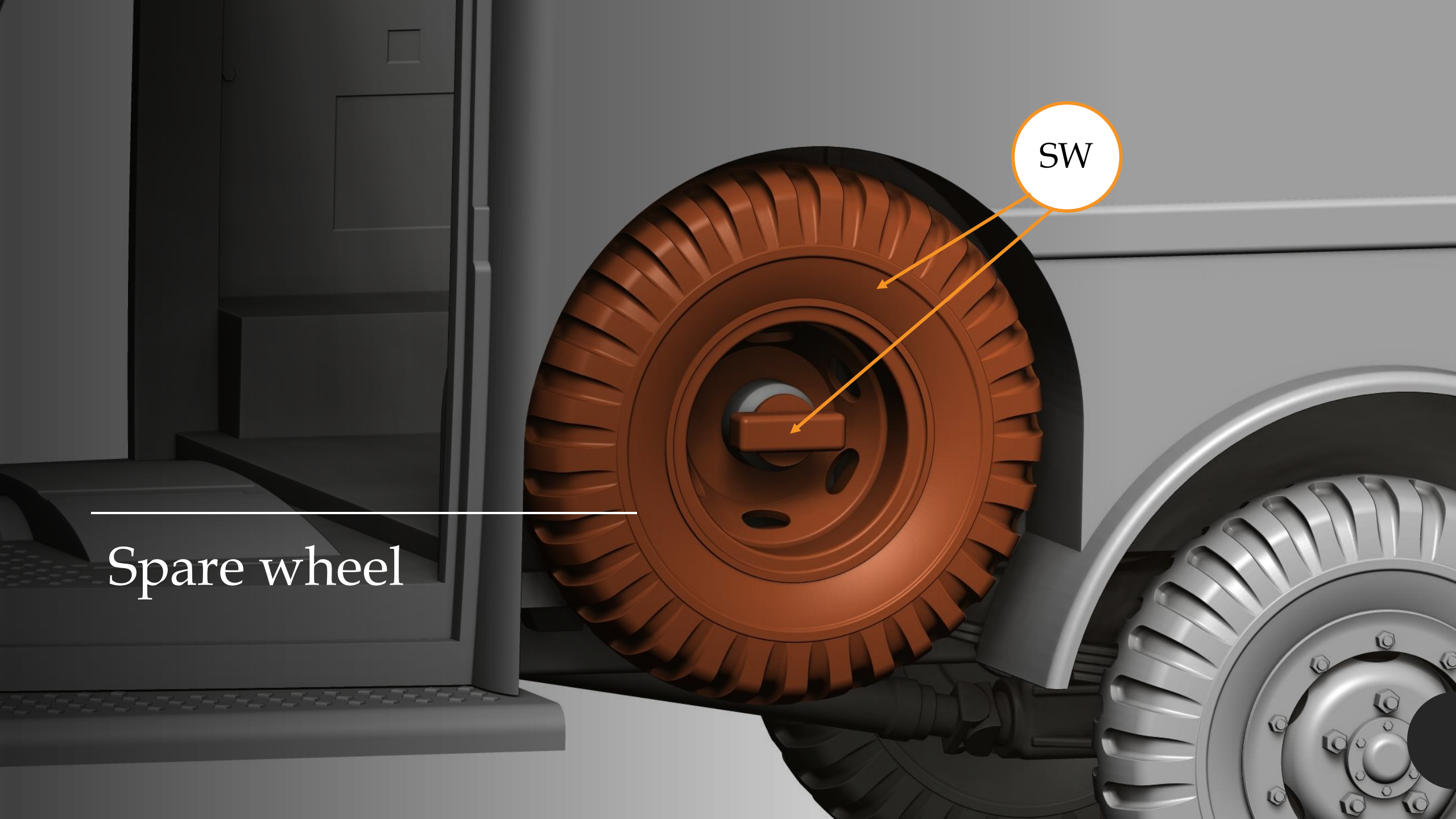
32

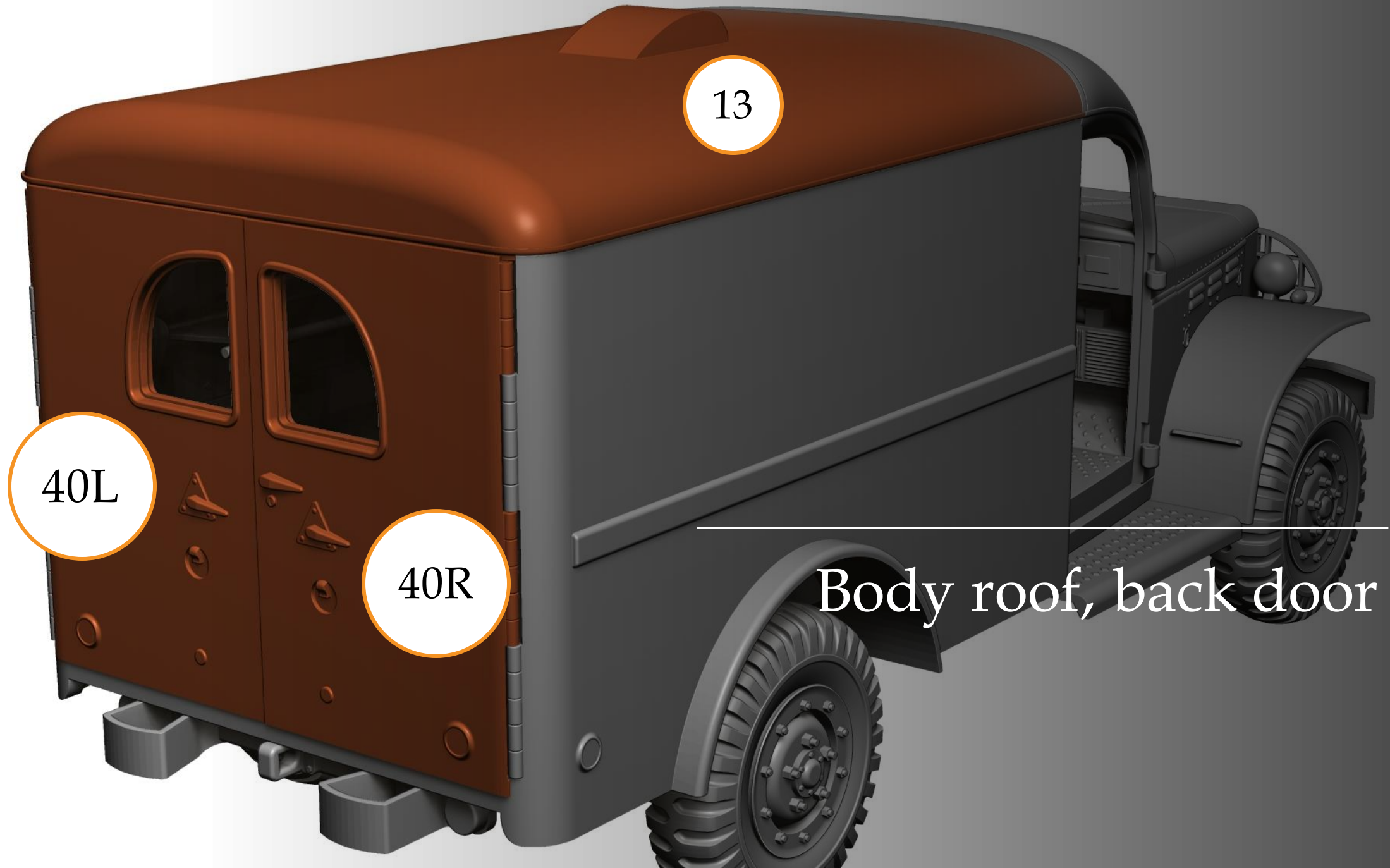
Fenders proflie



Spare wheel

SW



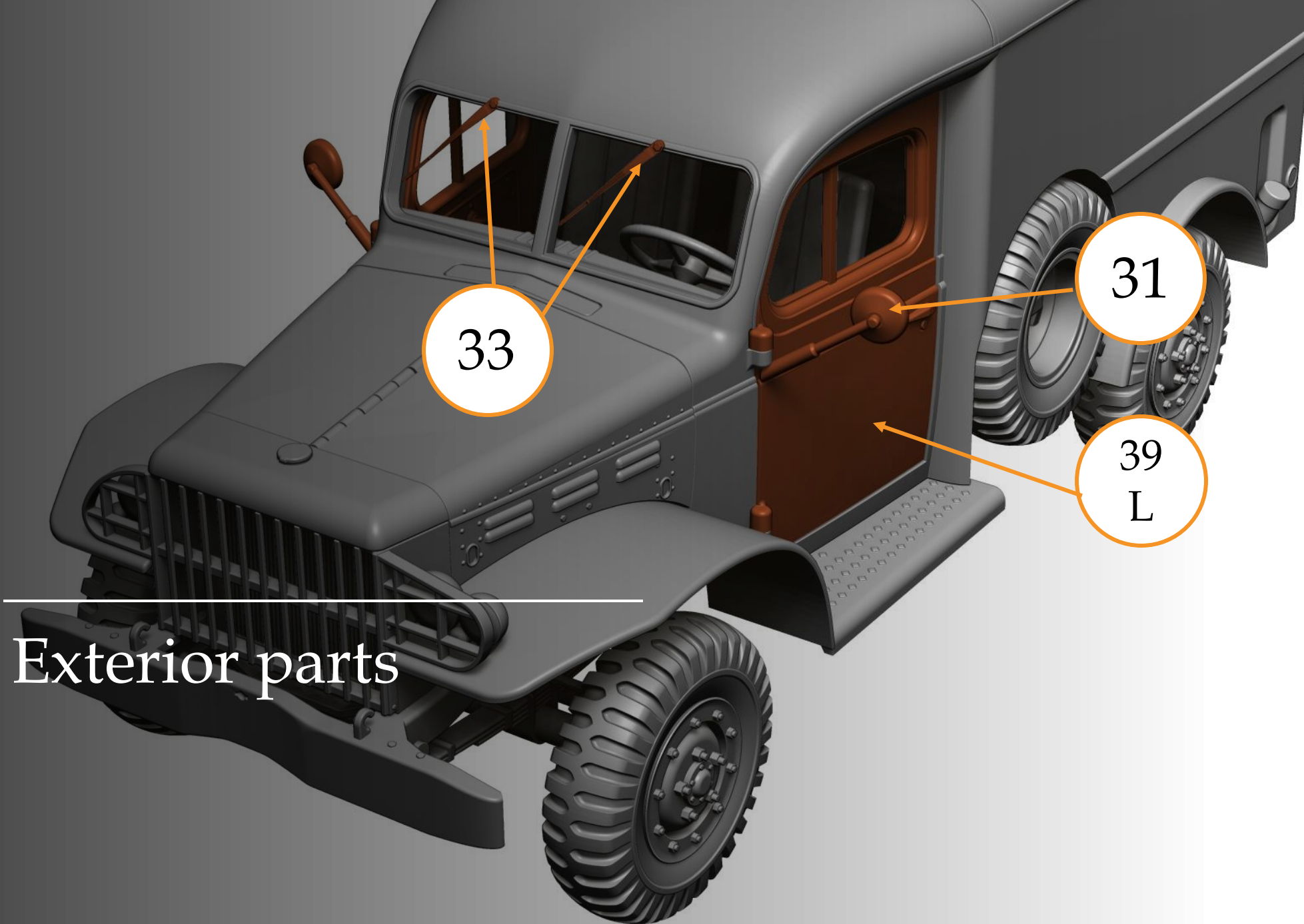


13

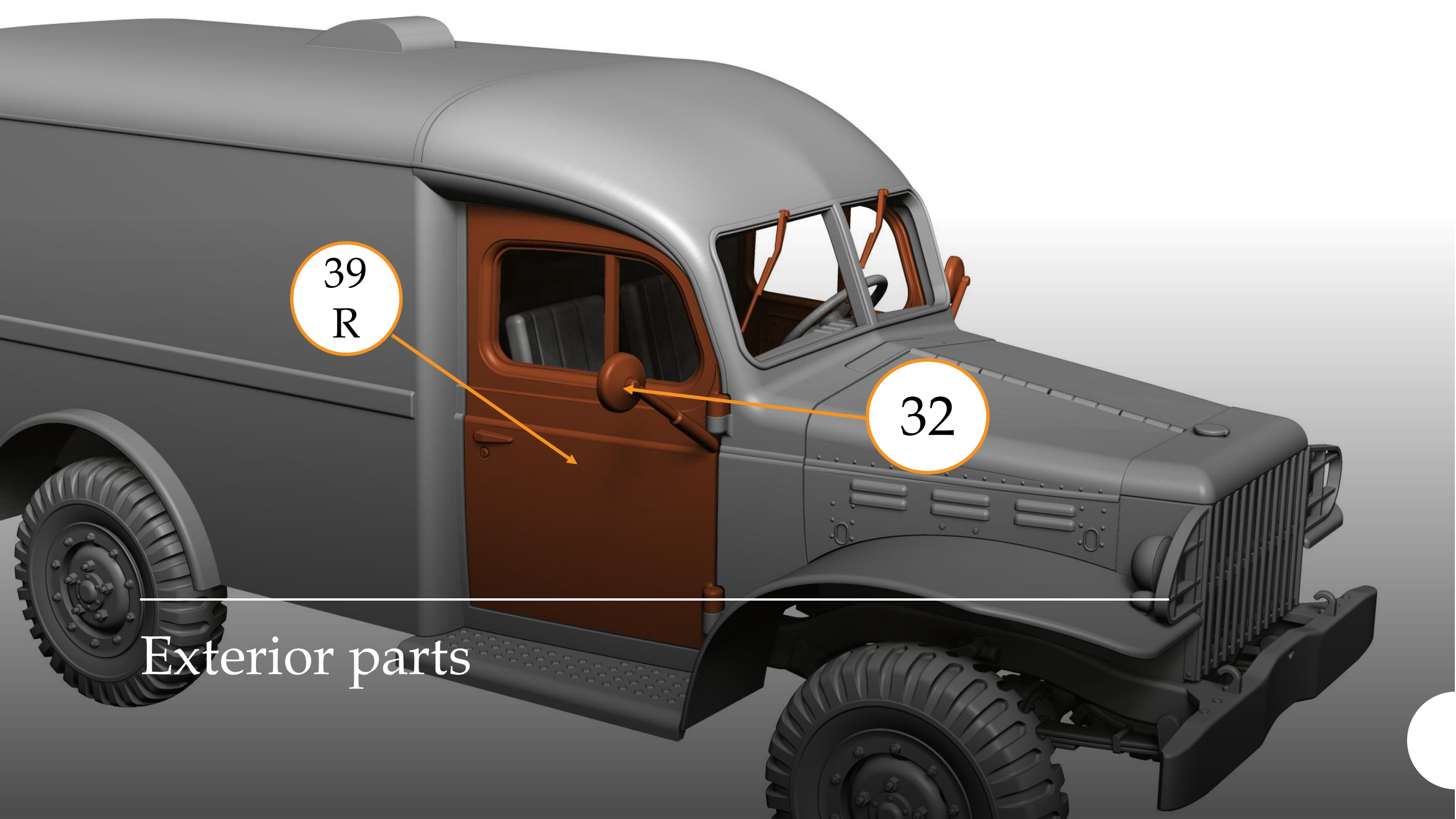
40L

40R

Body roof, back door



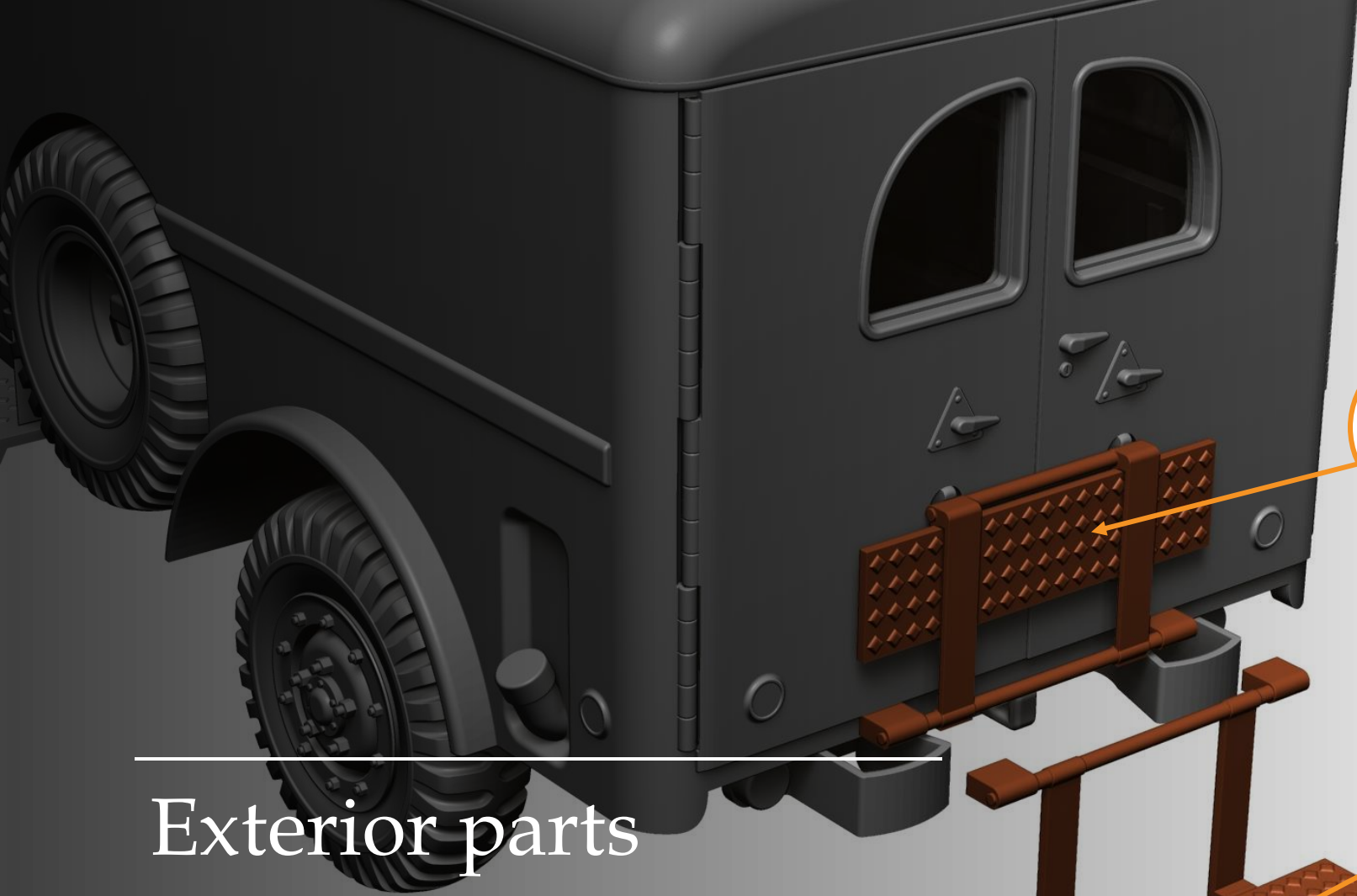
Exterior parts



39
R

32

Exterior parts



37

Option ?

38

Exterior parts

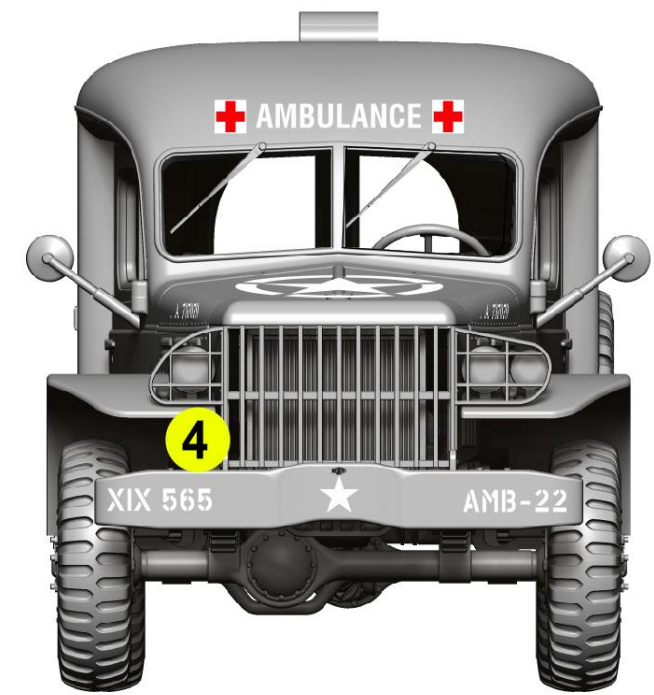
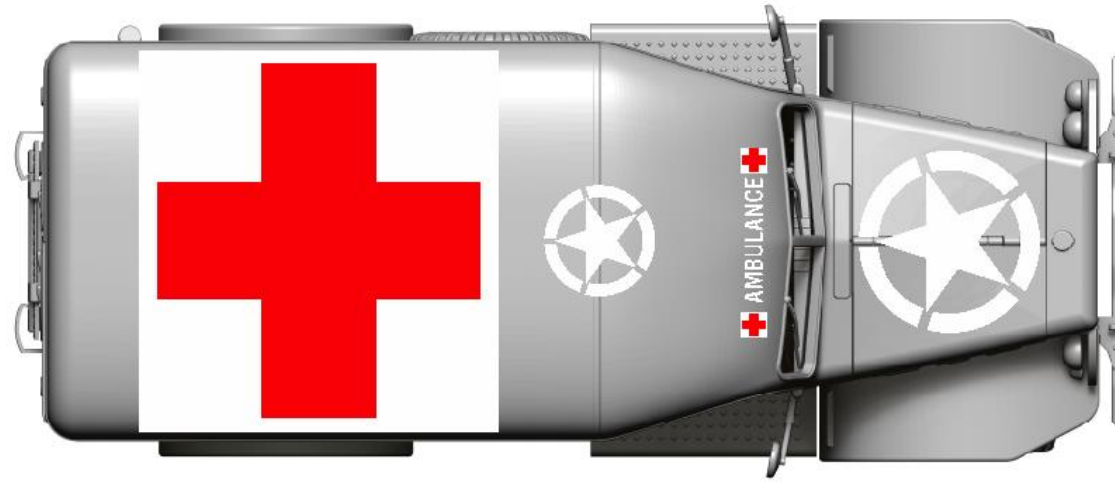
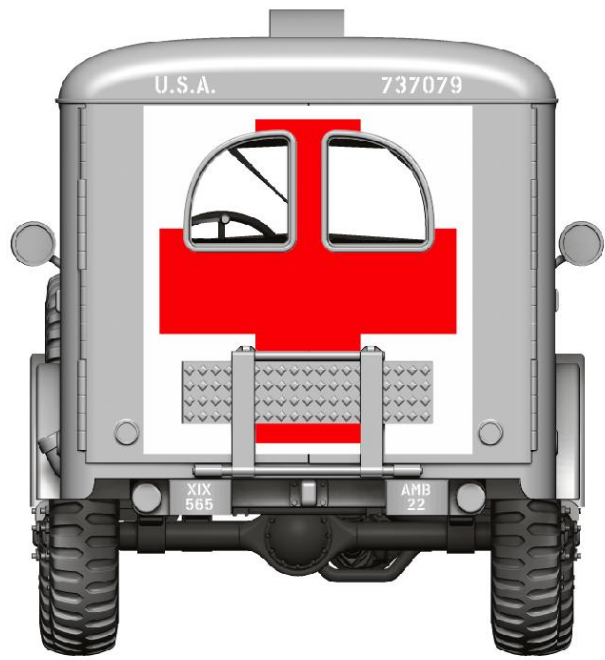


DOGFIGHT
WORKSHOP

*DODGE WC54
U.S. Military Ambulance
Truck*

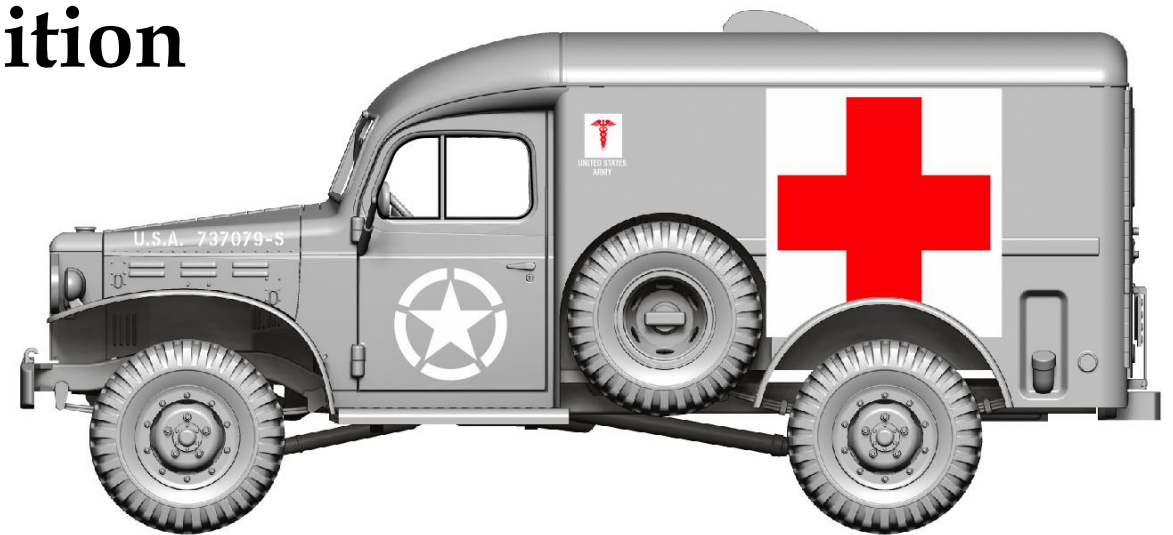
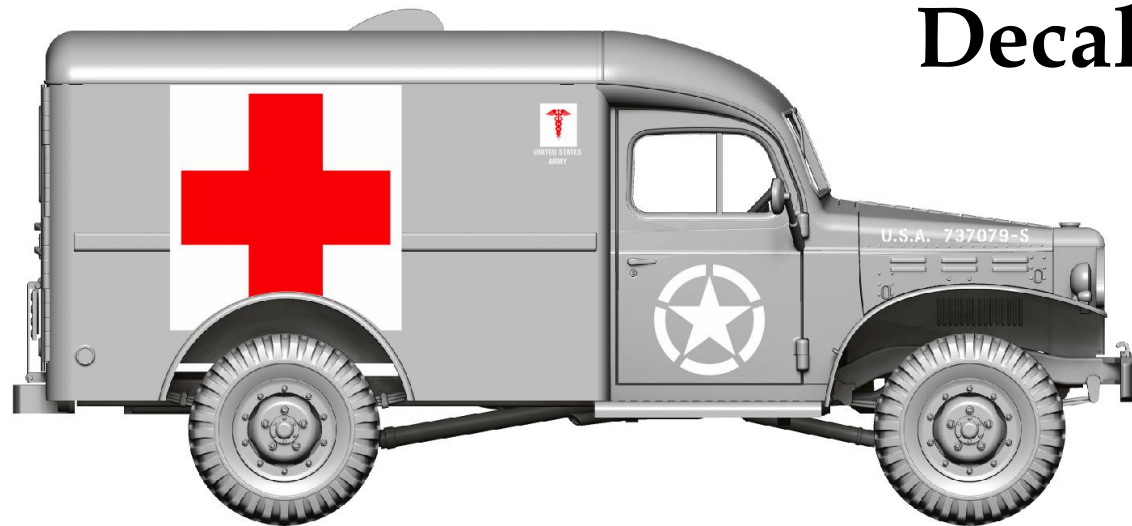
GENERAL VIEW AND DECALS



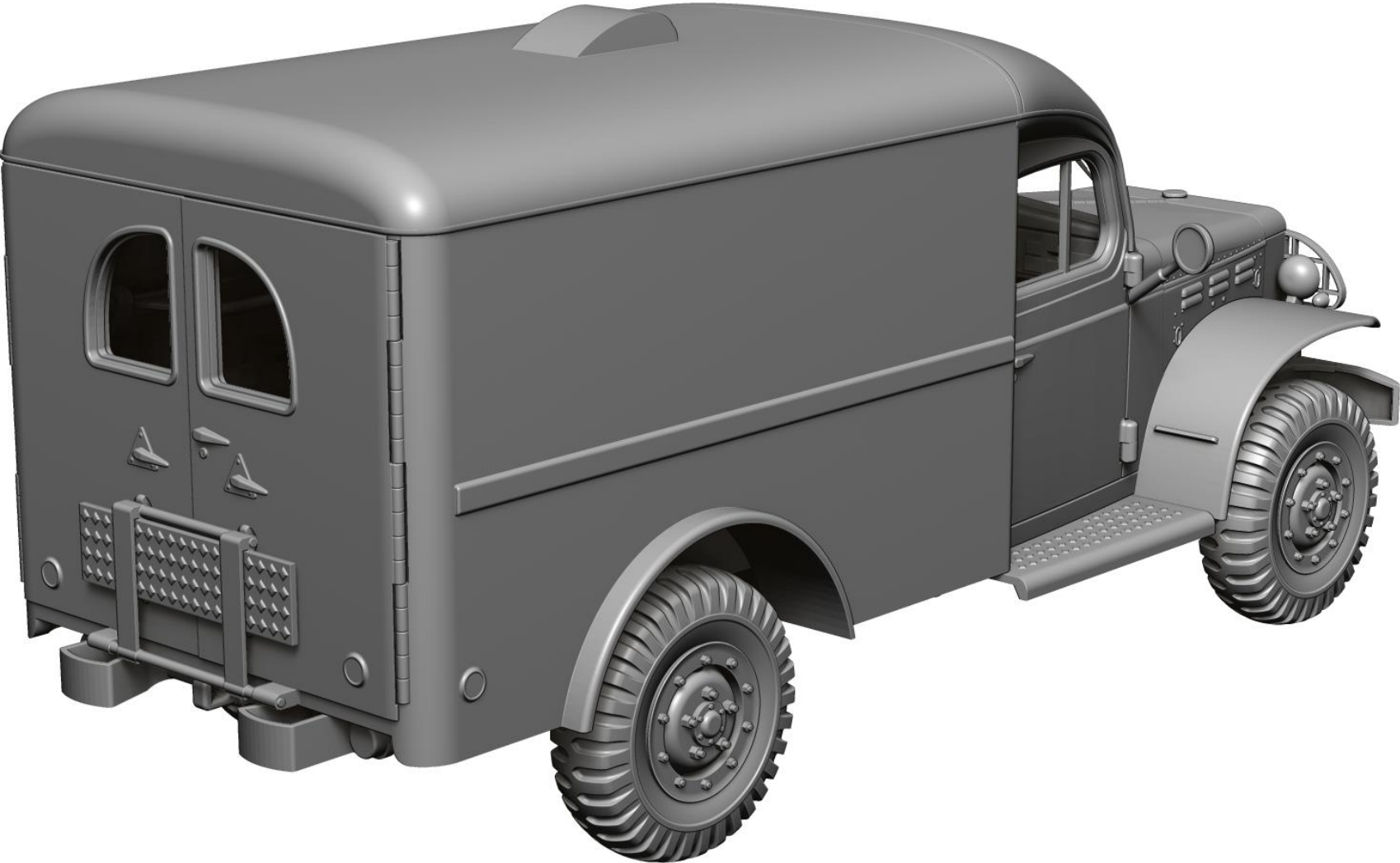


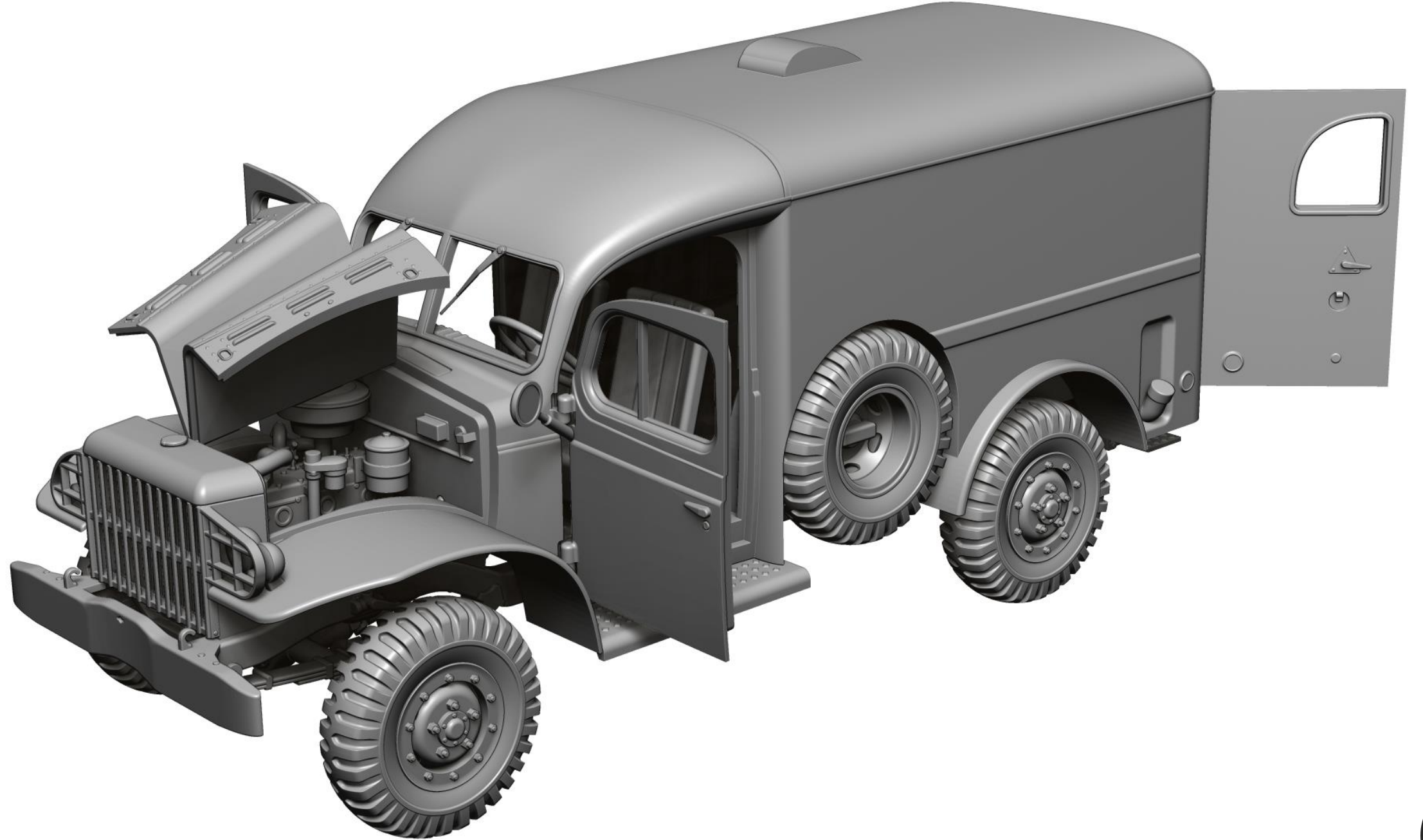
DODGE WC54 AMBULANCE - 48A04

Decals position













DOGFIGHT
WORKSHOP

Thank you for choosing our product. With each subsequent one we make every effort to make our models better and better.

Happy Modelling

Dogfight Workshop Team

www.dogfightworkshop.pl

office@dogfightworkshop.pl