



DOGFIGHT
WORKSHOP

G-622 FORD GTBS

(Burma Jeep)

Bomb Truck Service with Crane

scale 1/48

Full 3D printed

1/48 Military Miniature Series No.: 48A09

Overall Length 100 mm

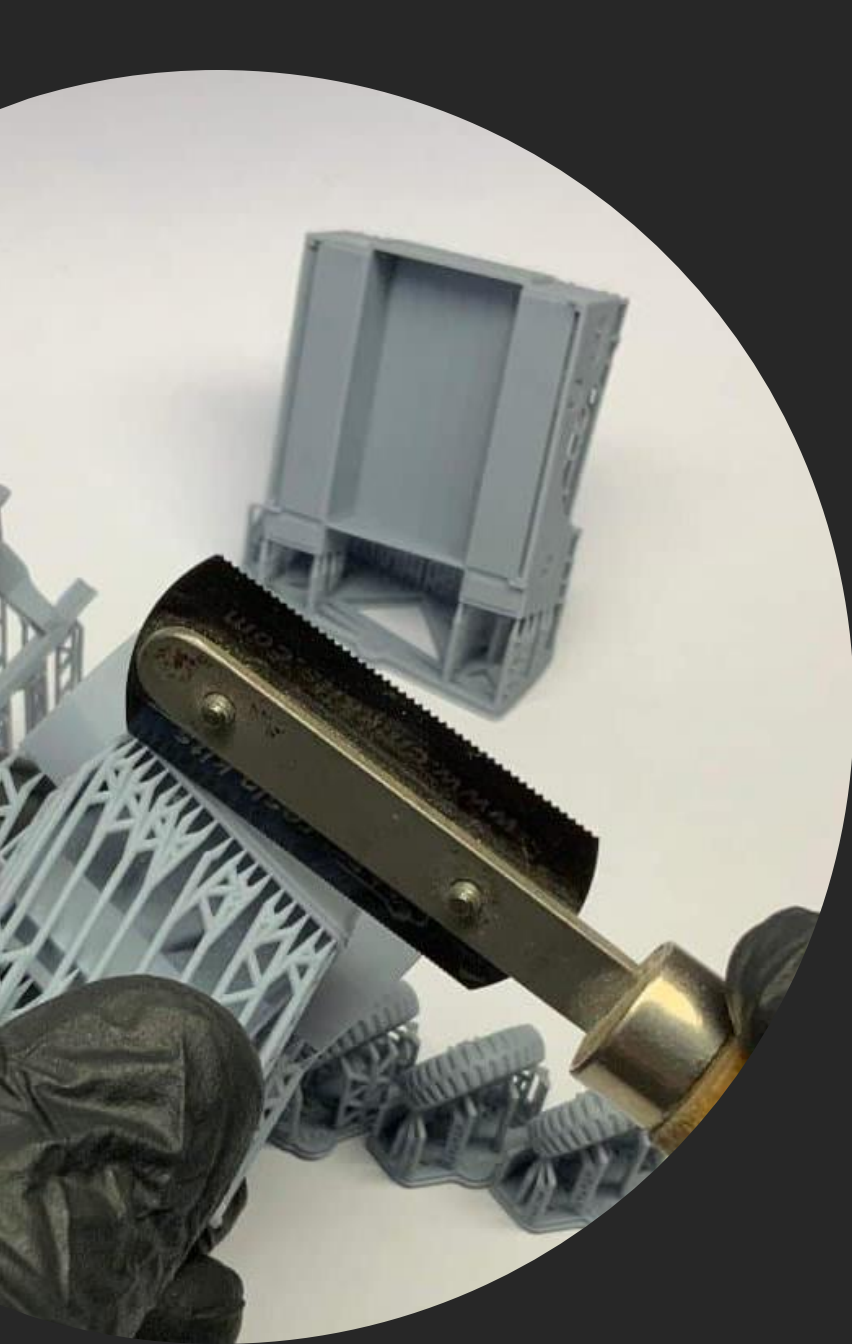


DOGFIGHT
WORKSHOP

Thank you for choosing our product.
Our models are made in
3D printing technology from
photopolymer resins.

Below are some steps, tips and tricks on how
to prepare our product for building.

Happy Modelling !

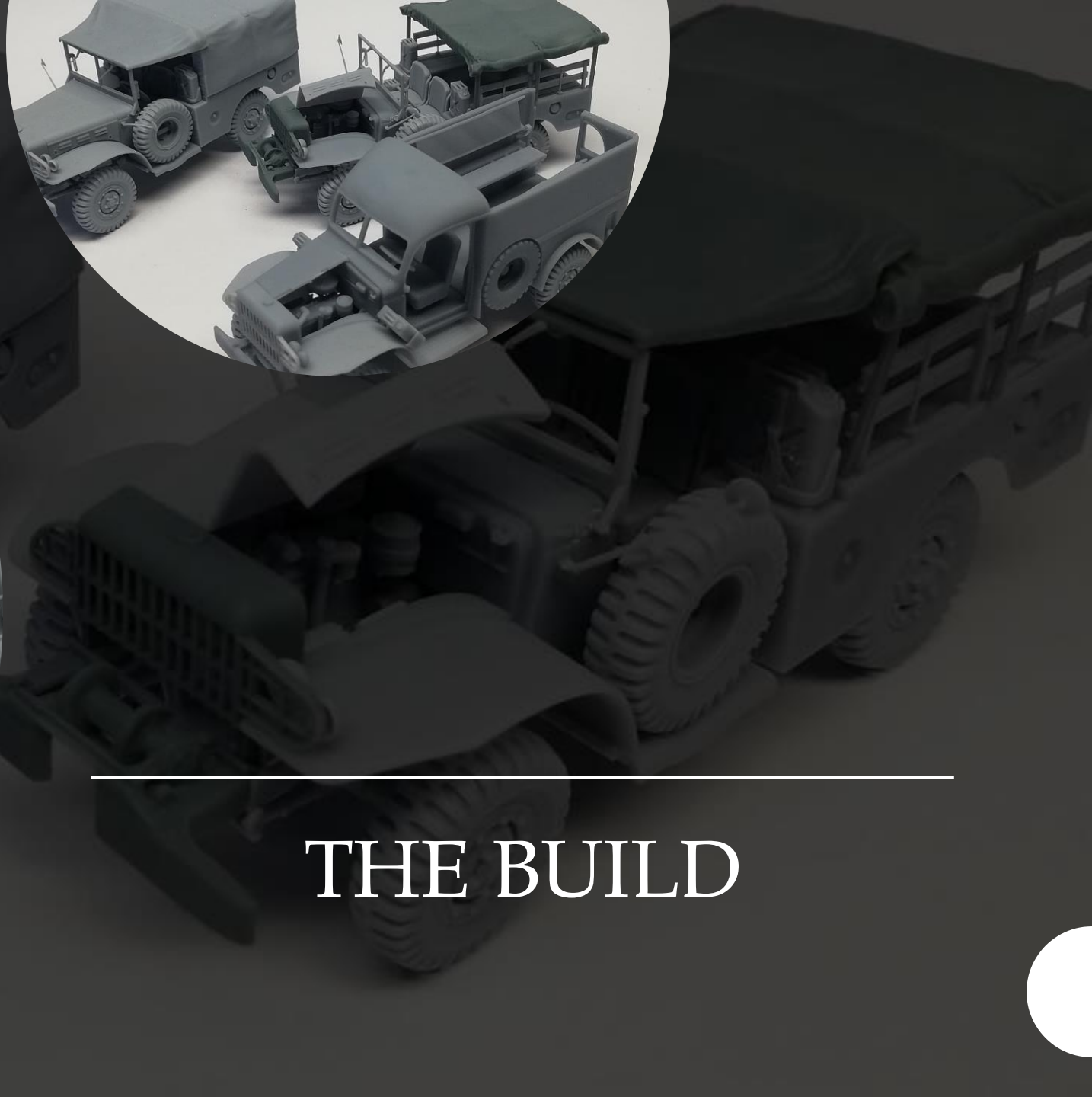
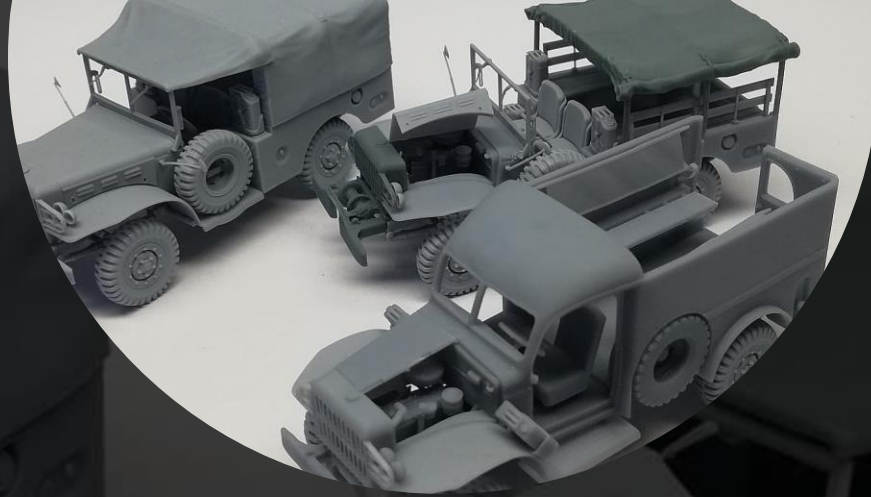
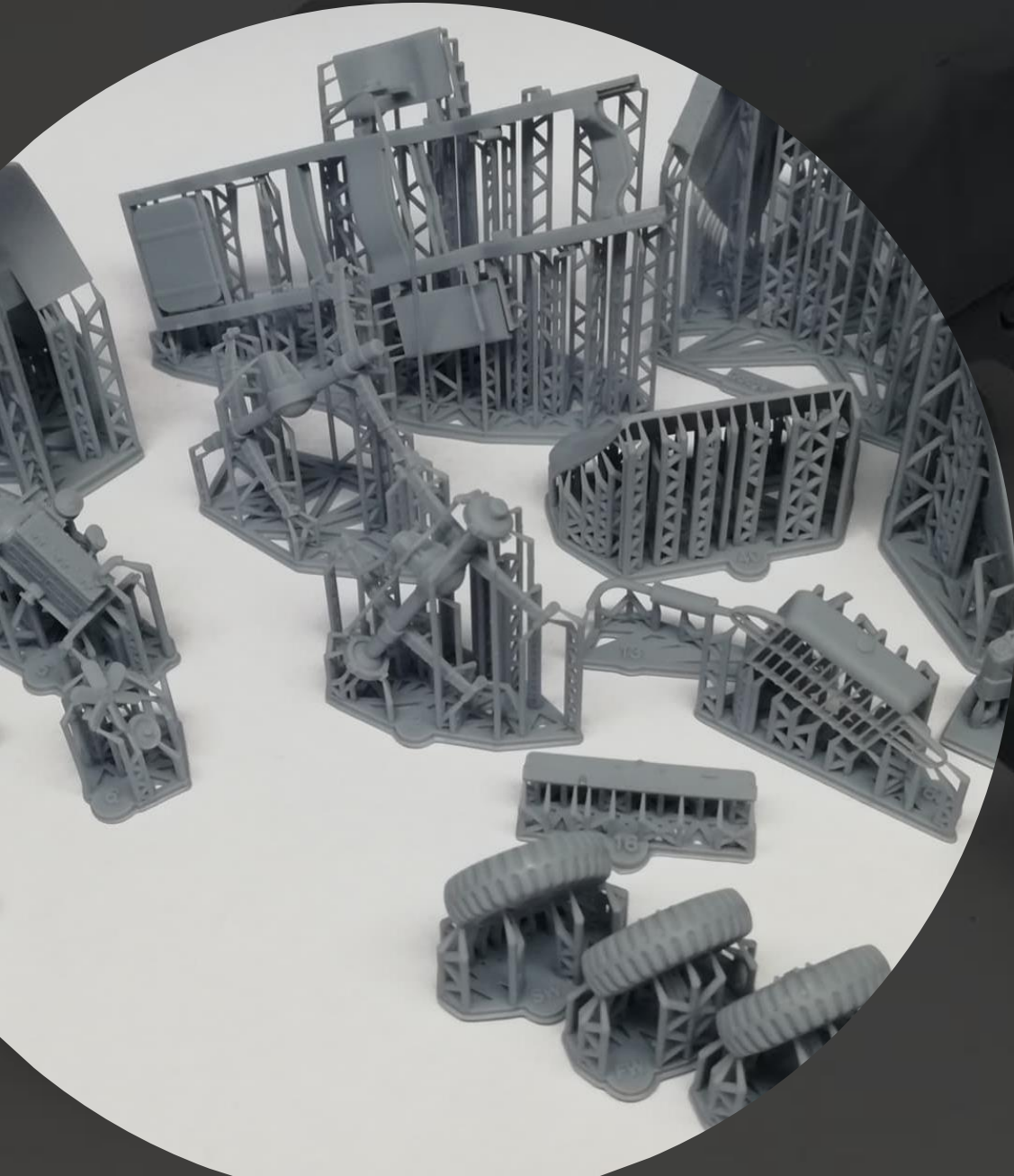


A few tips and tricks how to prepare our models

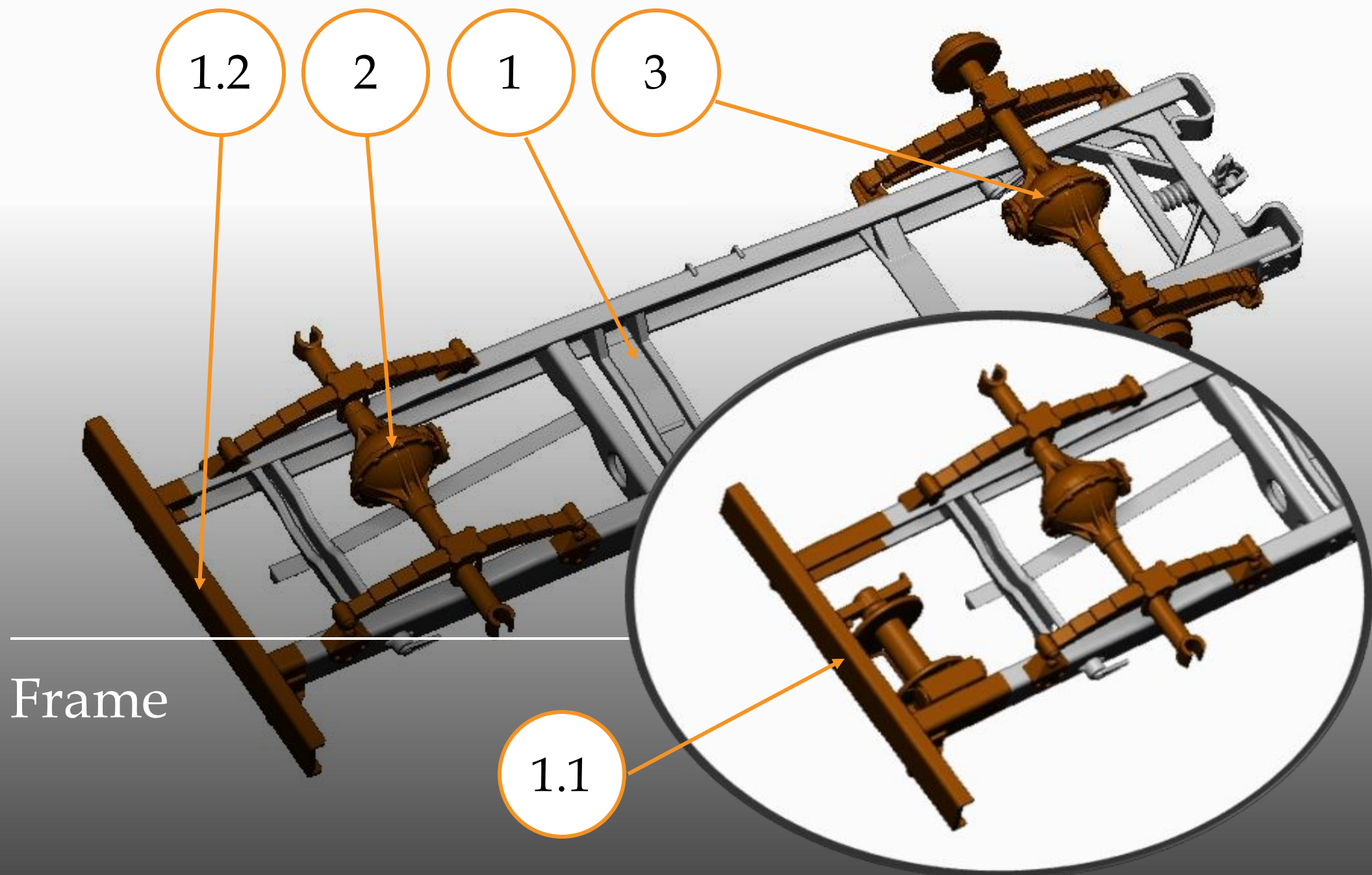
- 1 - *Cutting off printing supports ...*
 - *modelling knife*
 - *modelling cutter*
 - *modelling saw*



- 2 - Grinding and sanding ...
- modelling grinding wool
 - modelling sponge
 - modelling file



THE BUILD



Frame

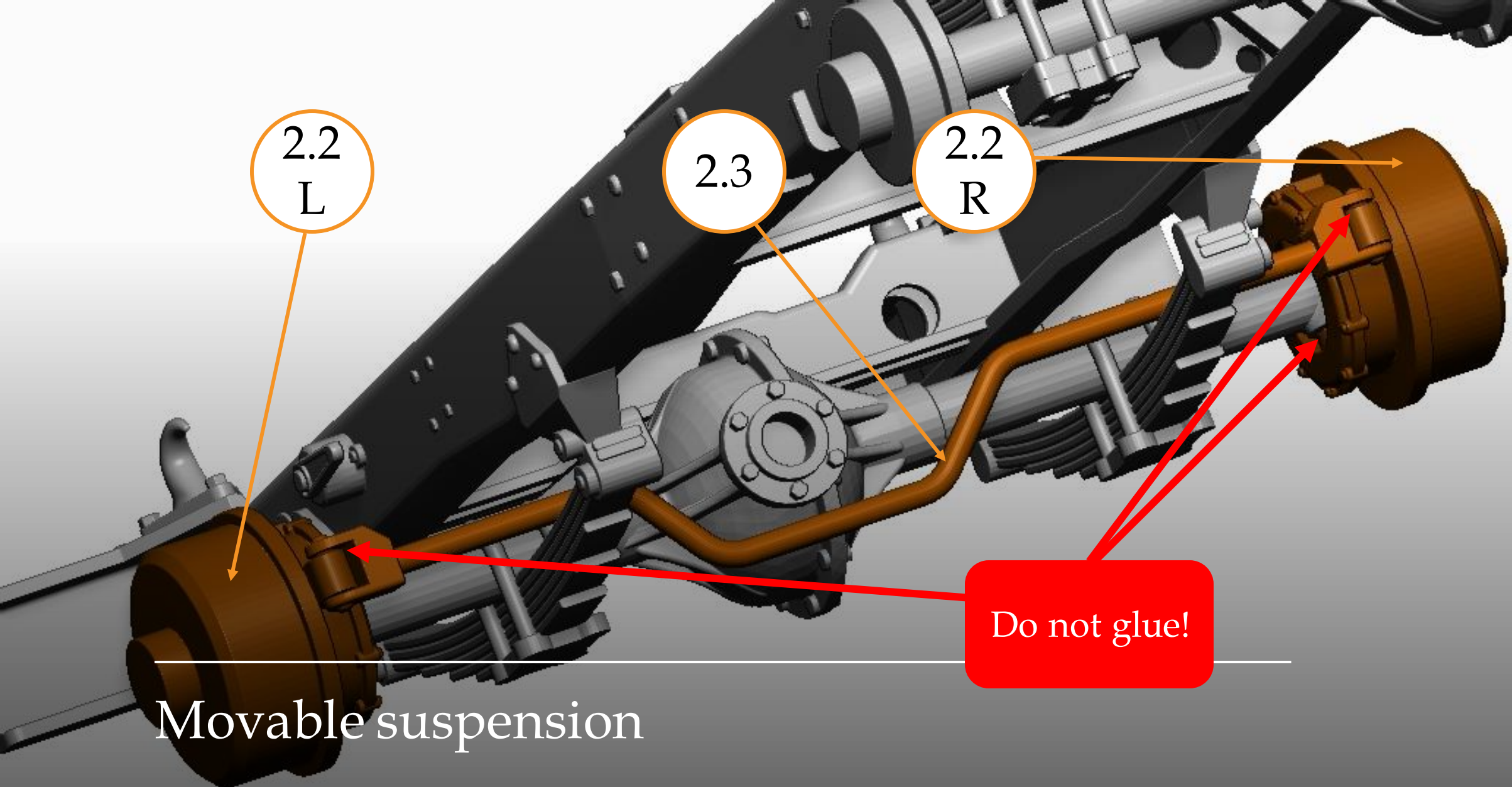
1.2

2

1

3

1.1



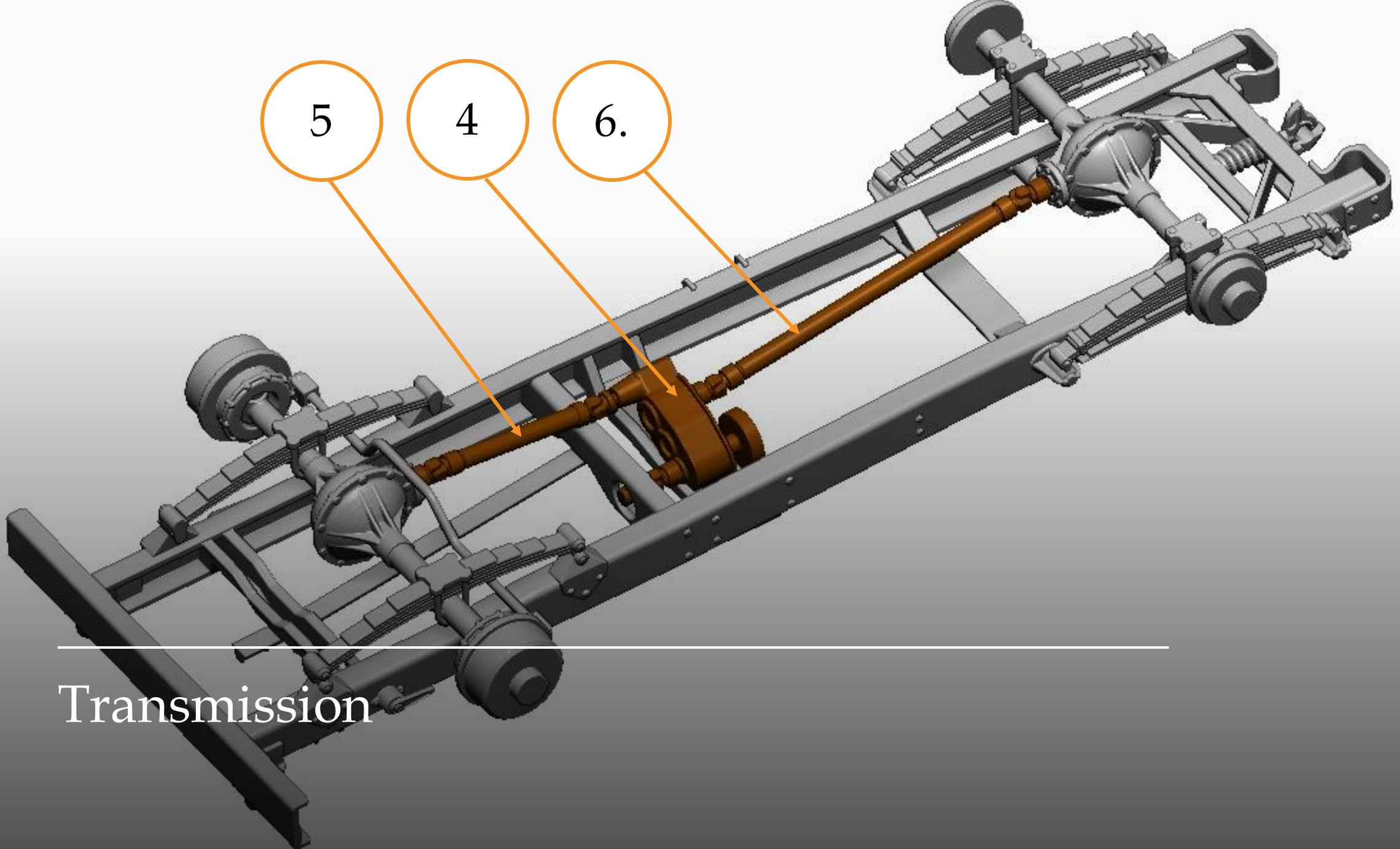
2.2
L

2.3

2.2
R

Do not glue!

Movable suspension

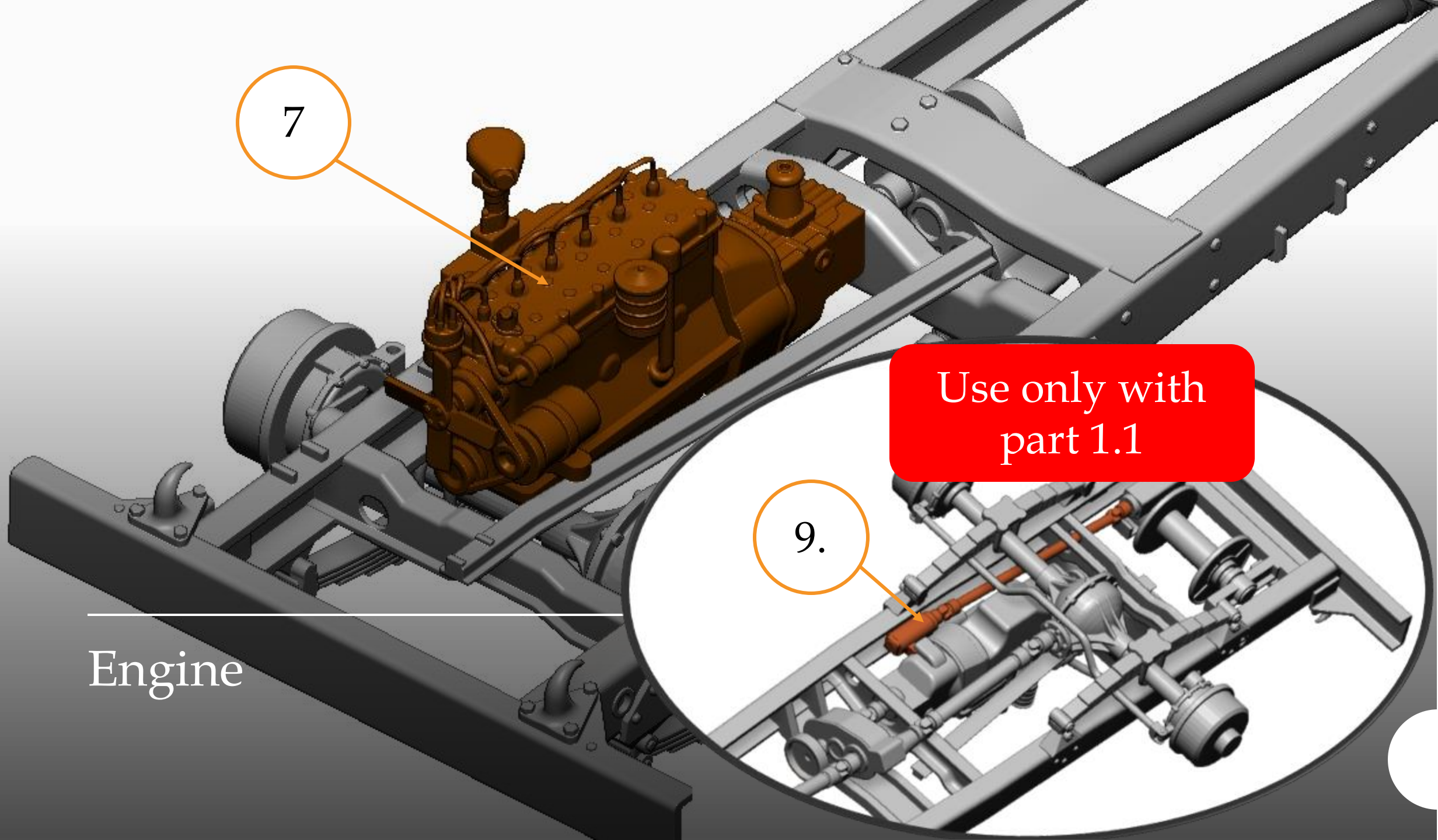


5

4

6.

Transmission

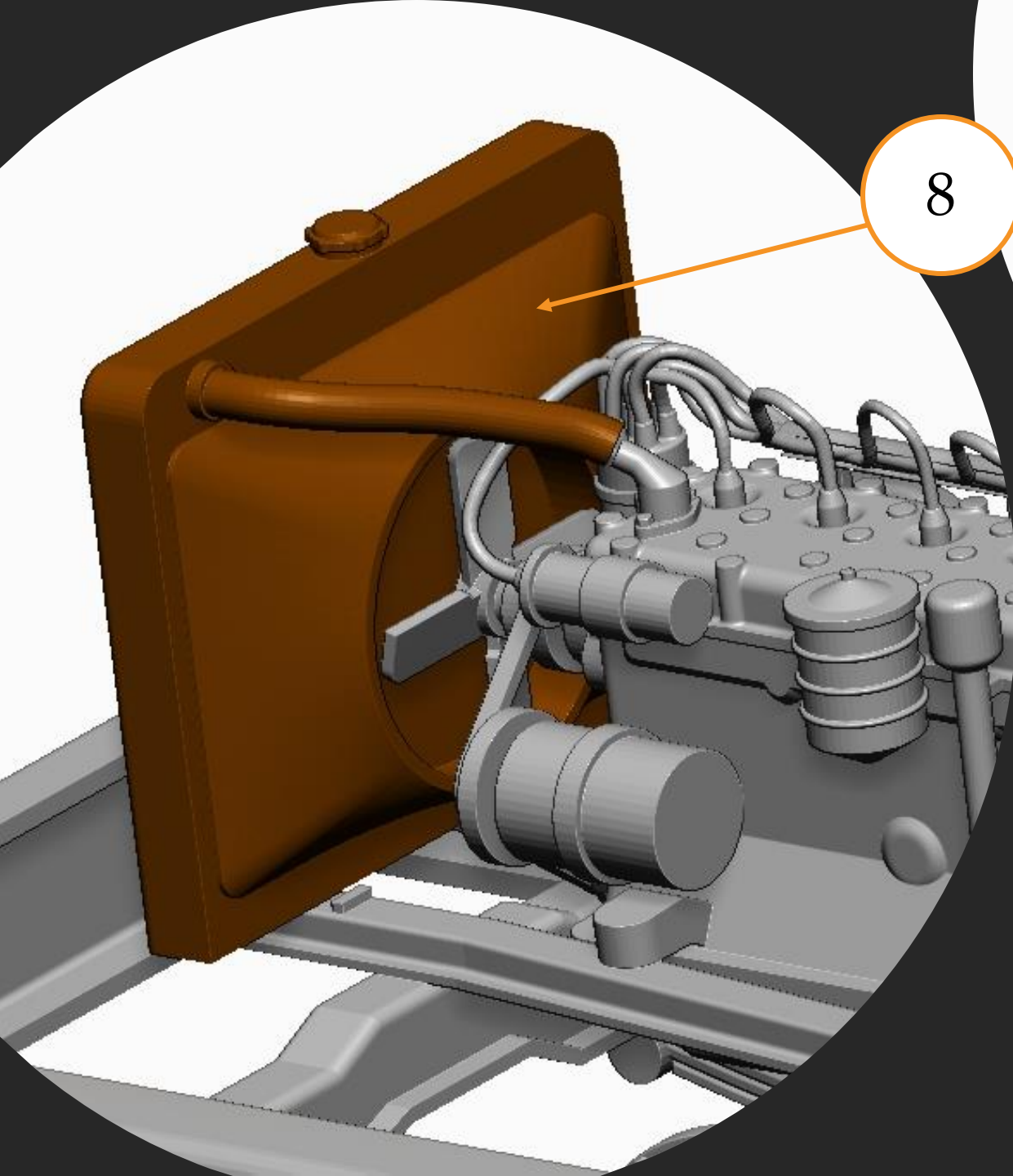


7

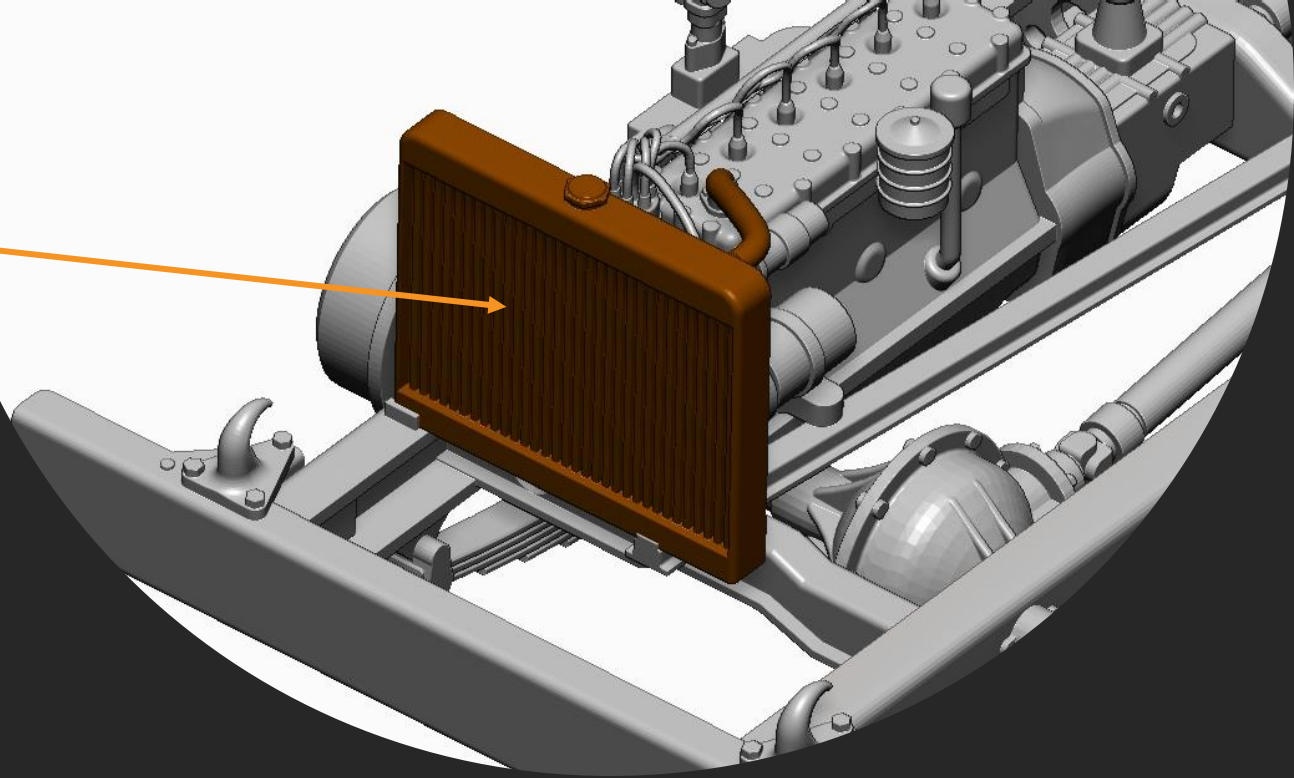
Use only with
part 1.1

9.

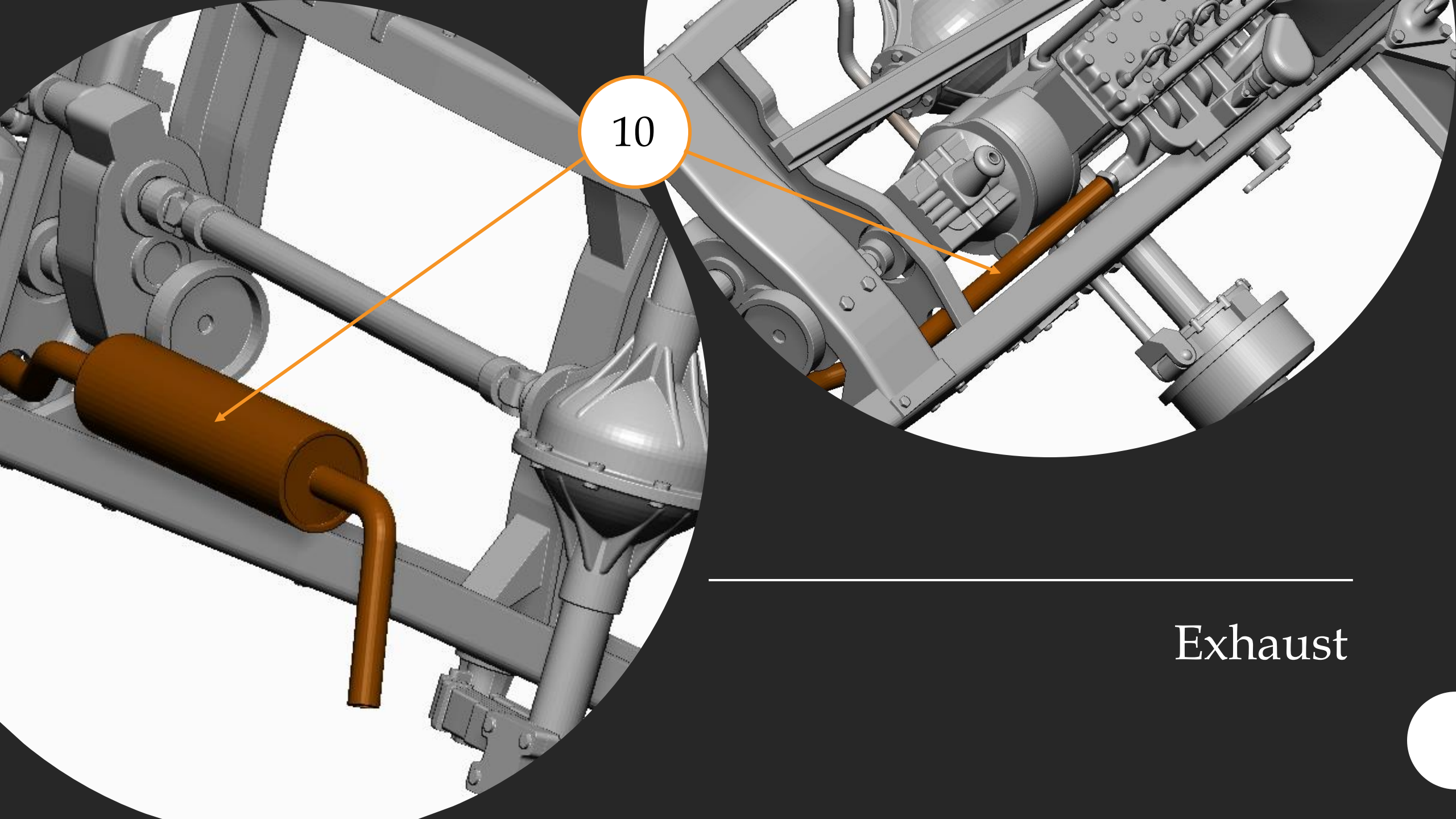
Engine



8

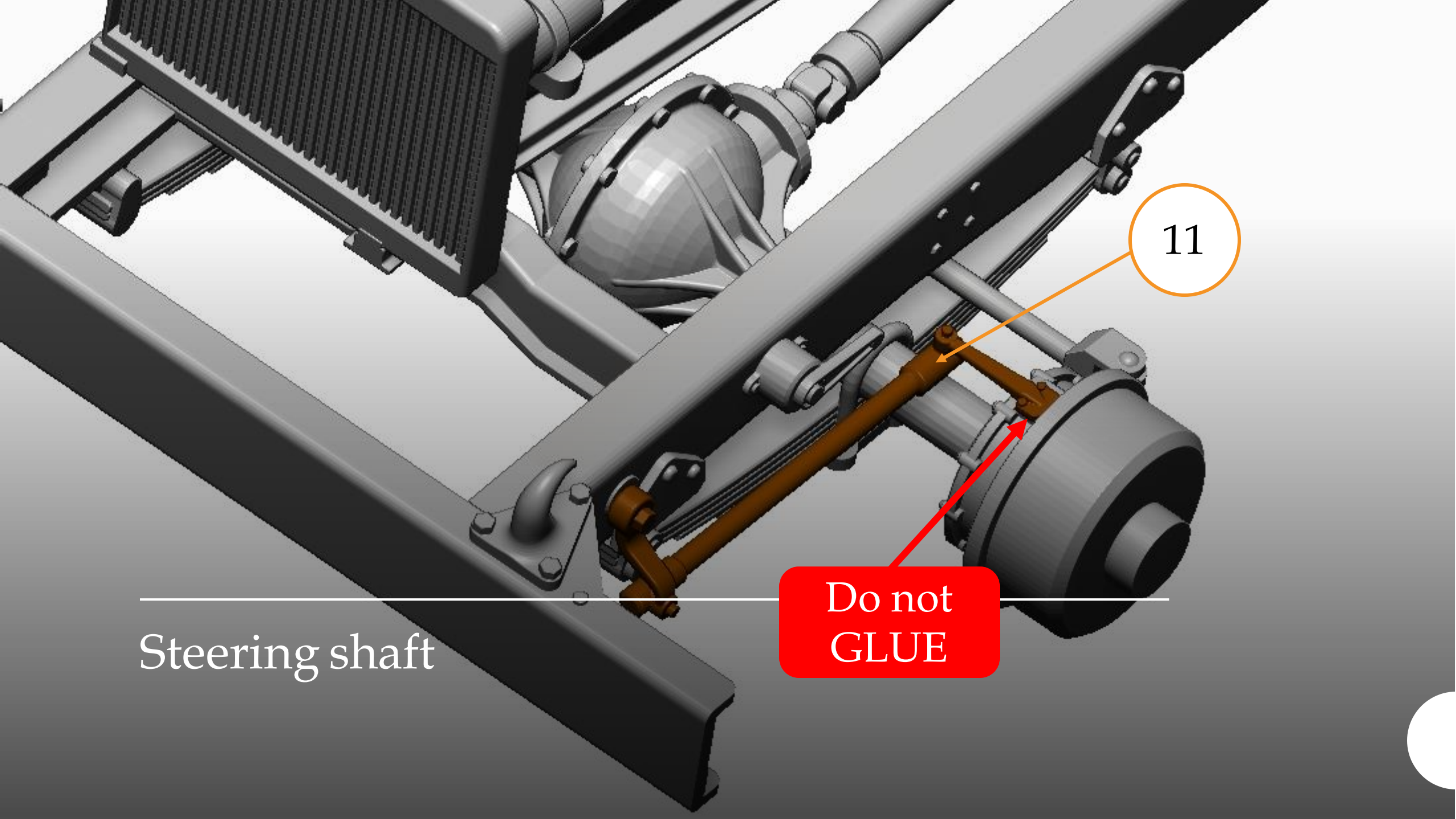


Radiator



10

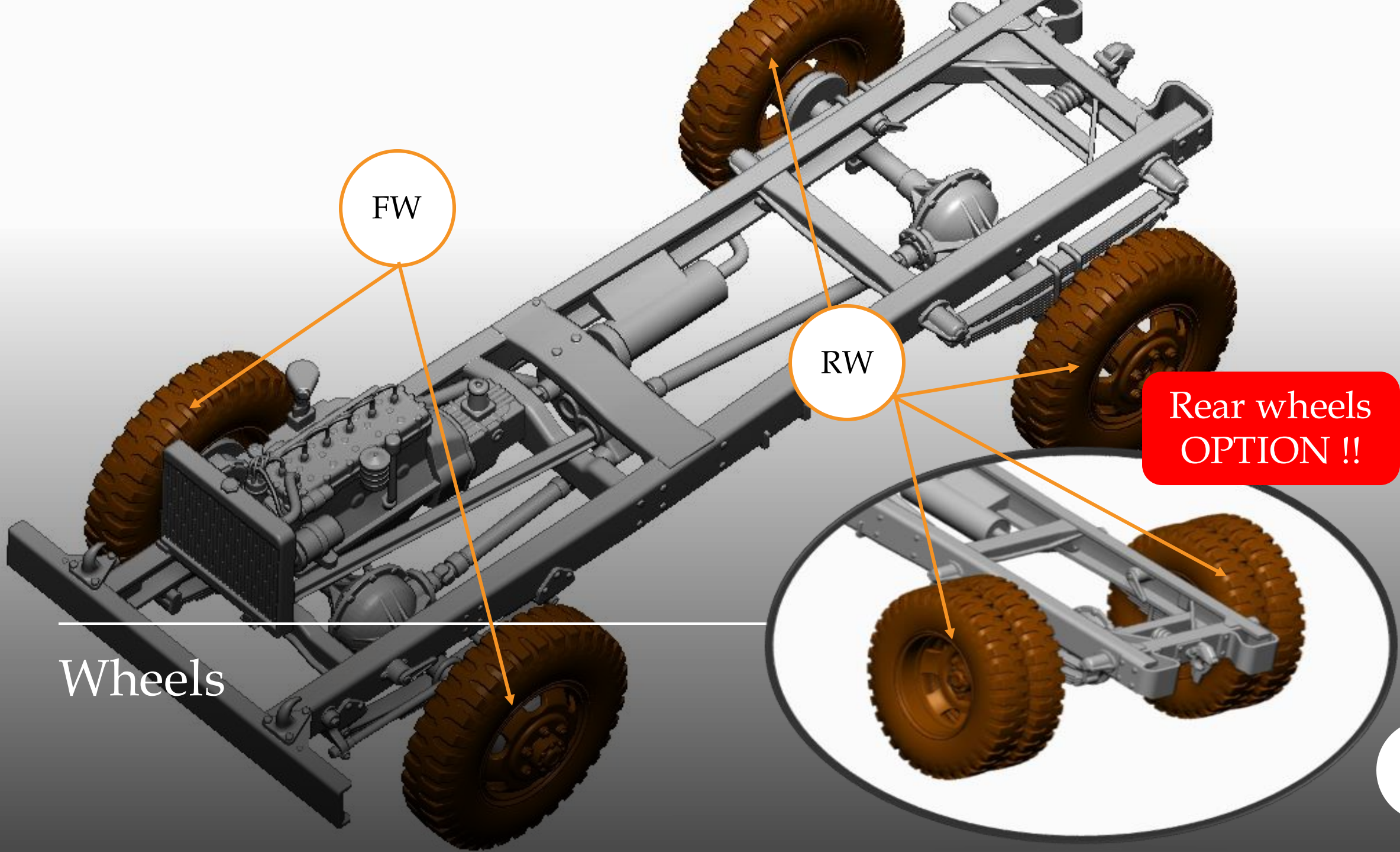
Exhaust



11

Do not
GLUE

Steering shaft



FW

RW

Rear wheels
OPTION !!

Wheels



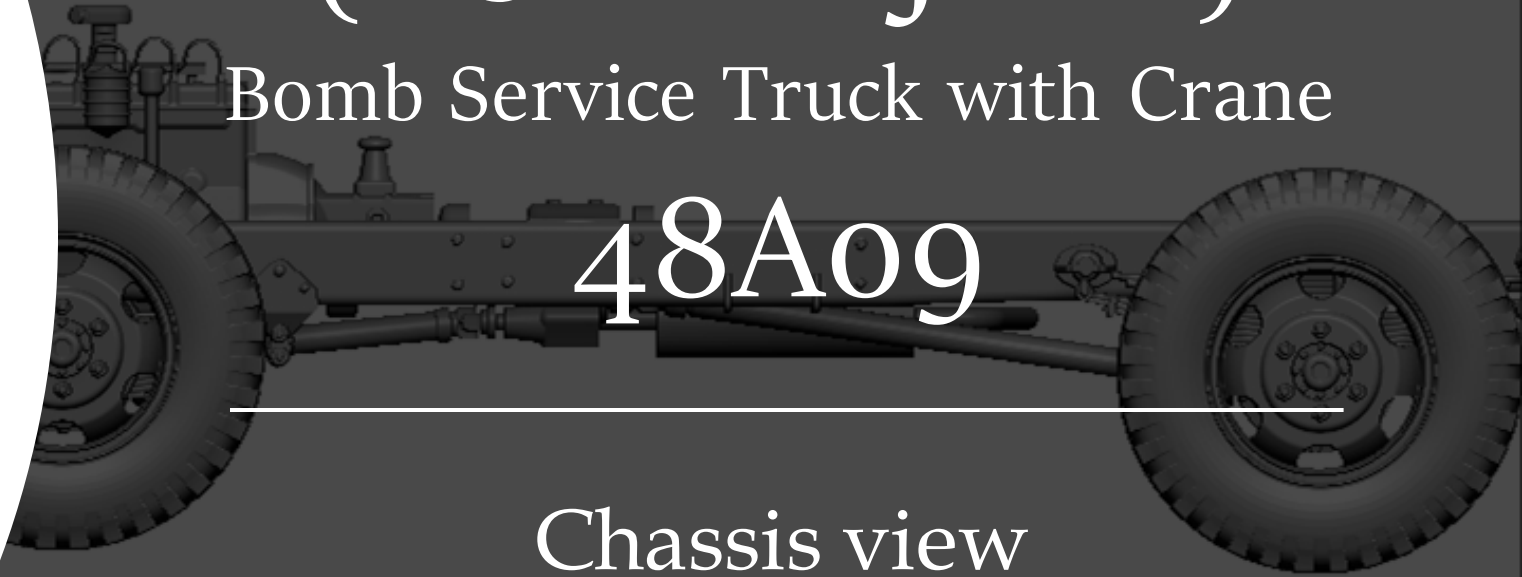
DOGFIGHT
WORKSHOP

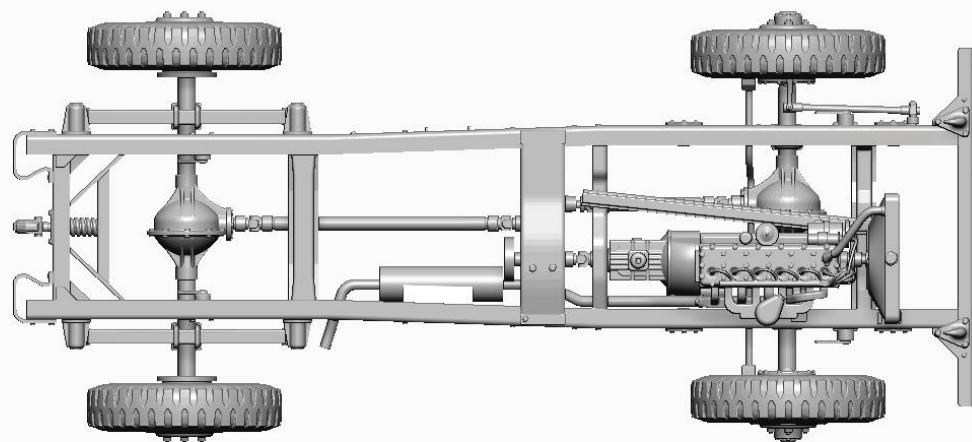
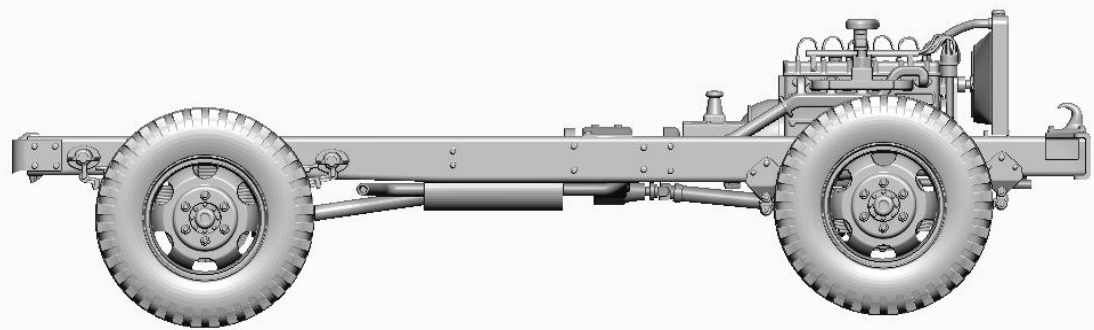
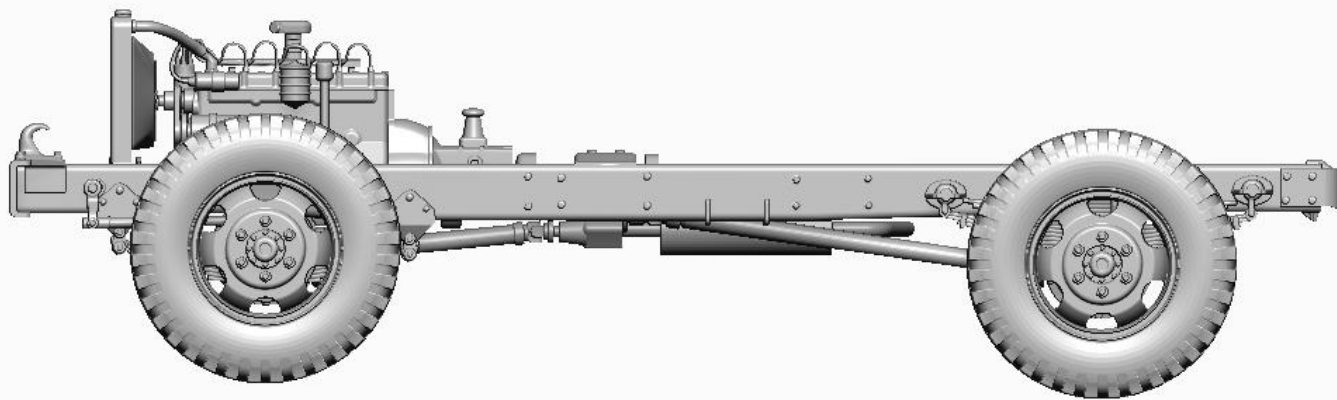
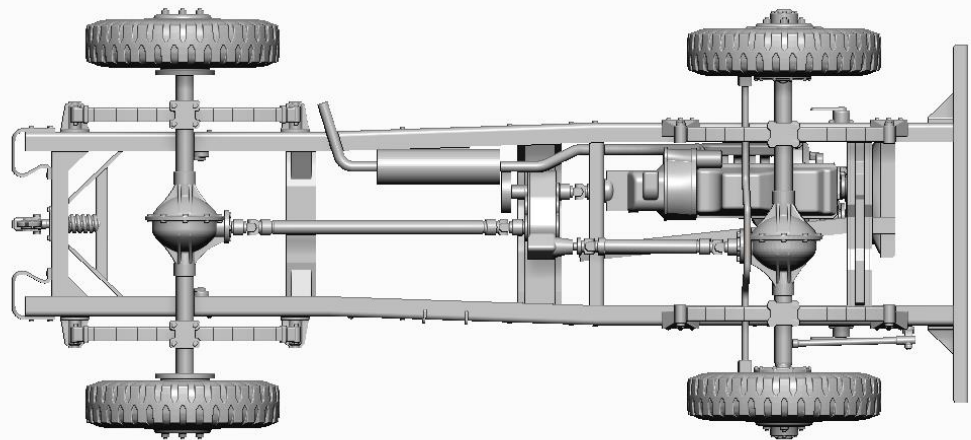
G-622 FORD GTBS (BURMA JEEP)

Bomb Service Truck with Crane

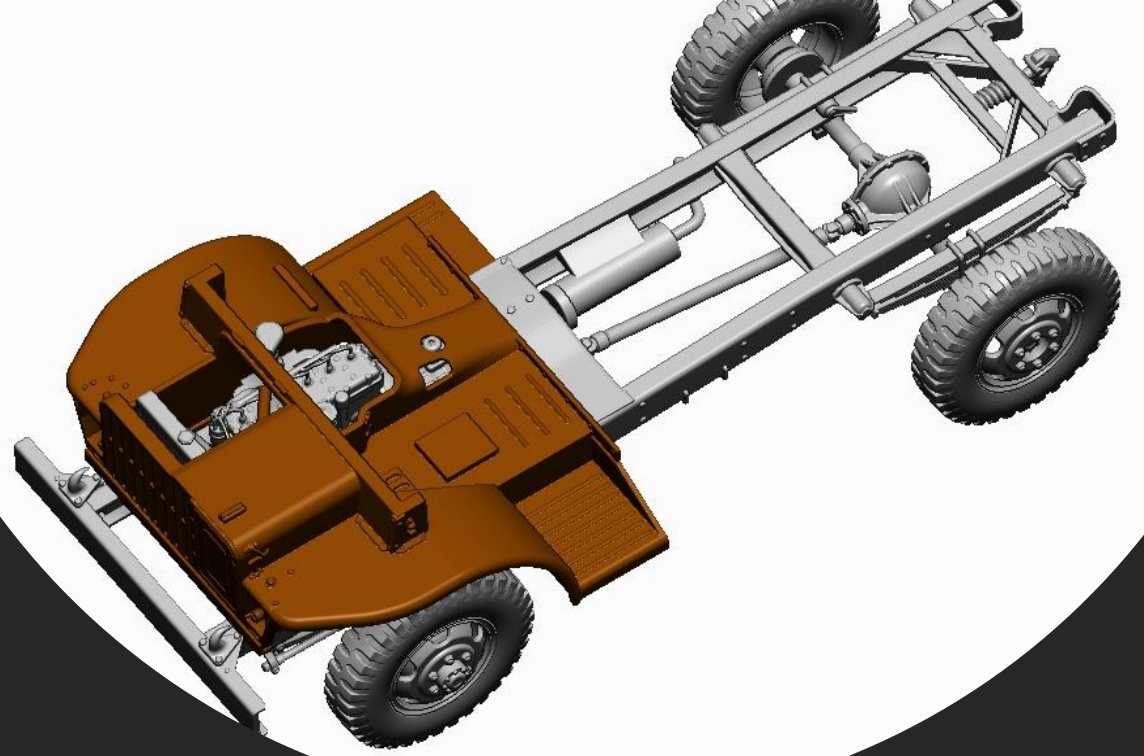
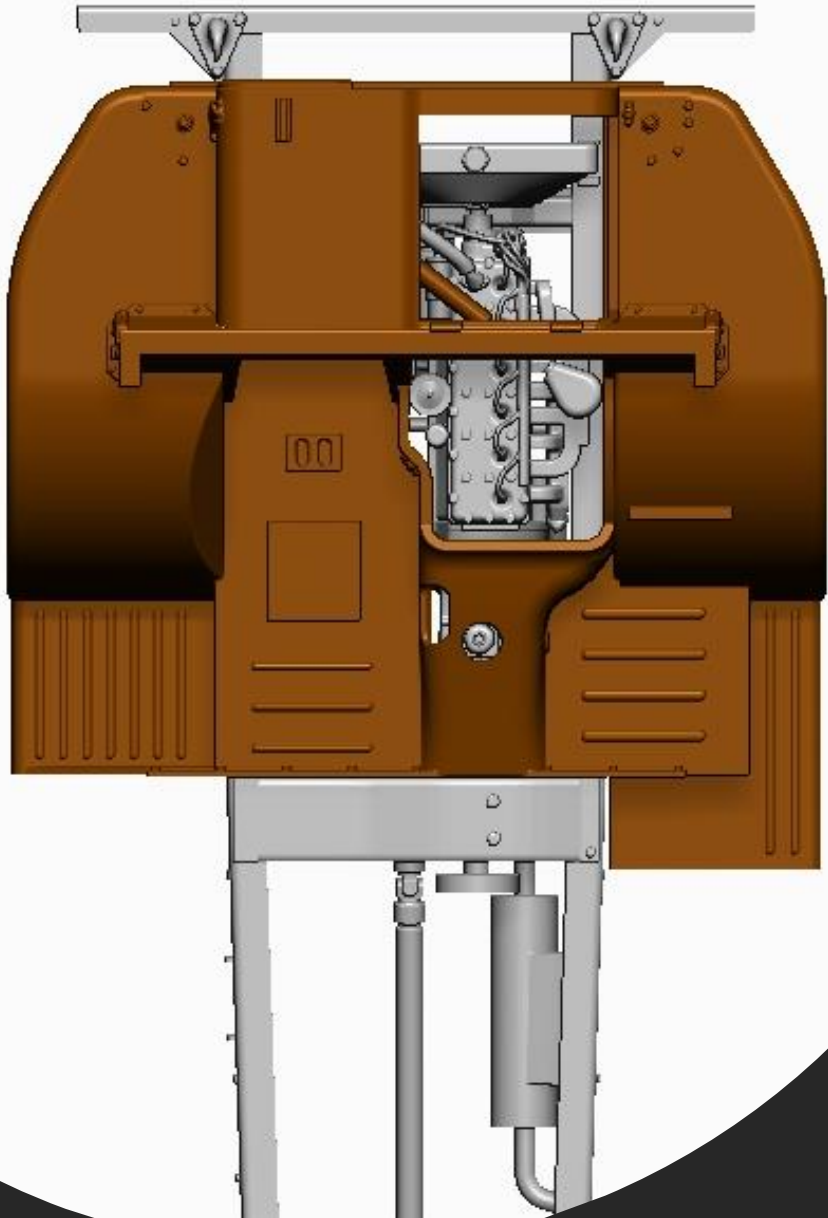
48A09

Chassis view

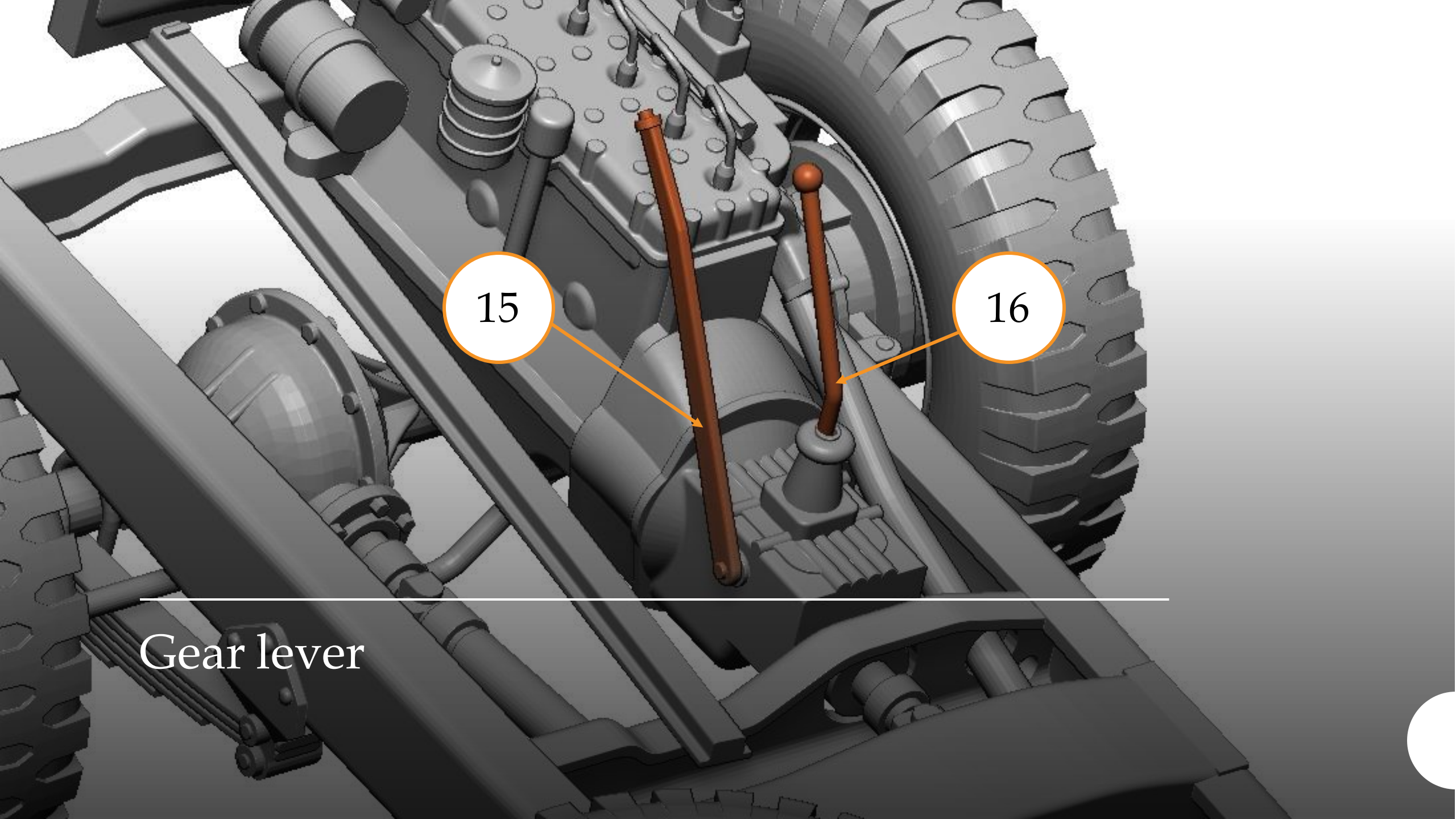




12



Body



15

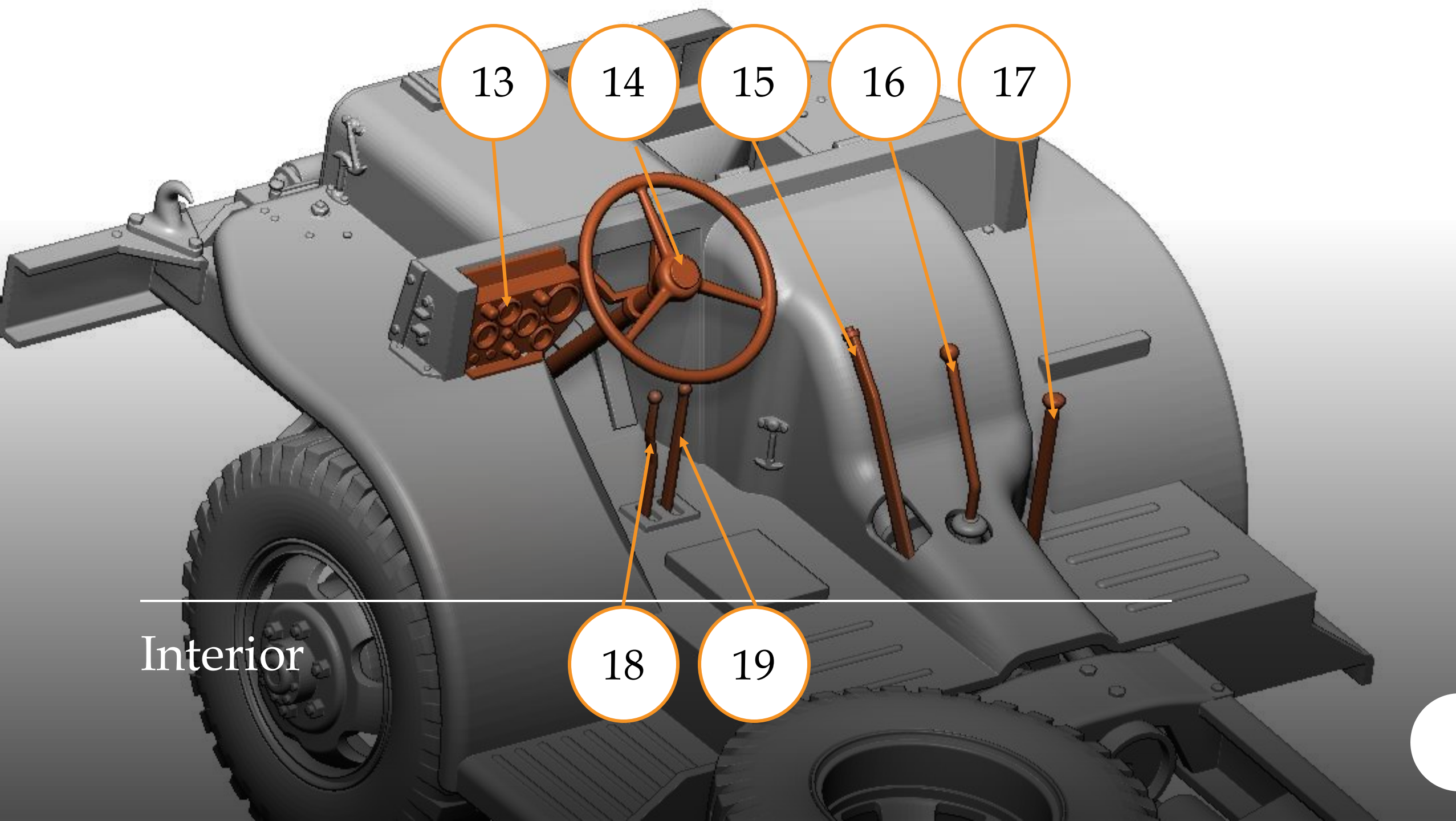
16

Gear lever

A 3D CAD model of a tractor seat assembly. The seat is highlighted in orange. A callout circle with the number '20' and an arrow points to the seat. The tractor body is shown in grey, including the steering wheel, control panel, and rear wheel. The engine cover is located at the bottom left of the image.

20

Engine cover



13

14

15

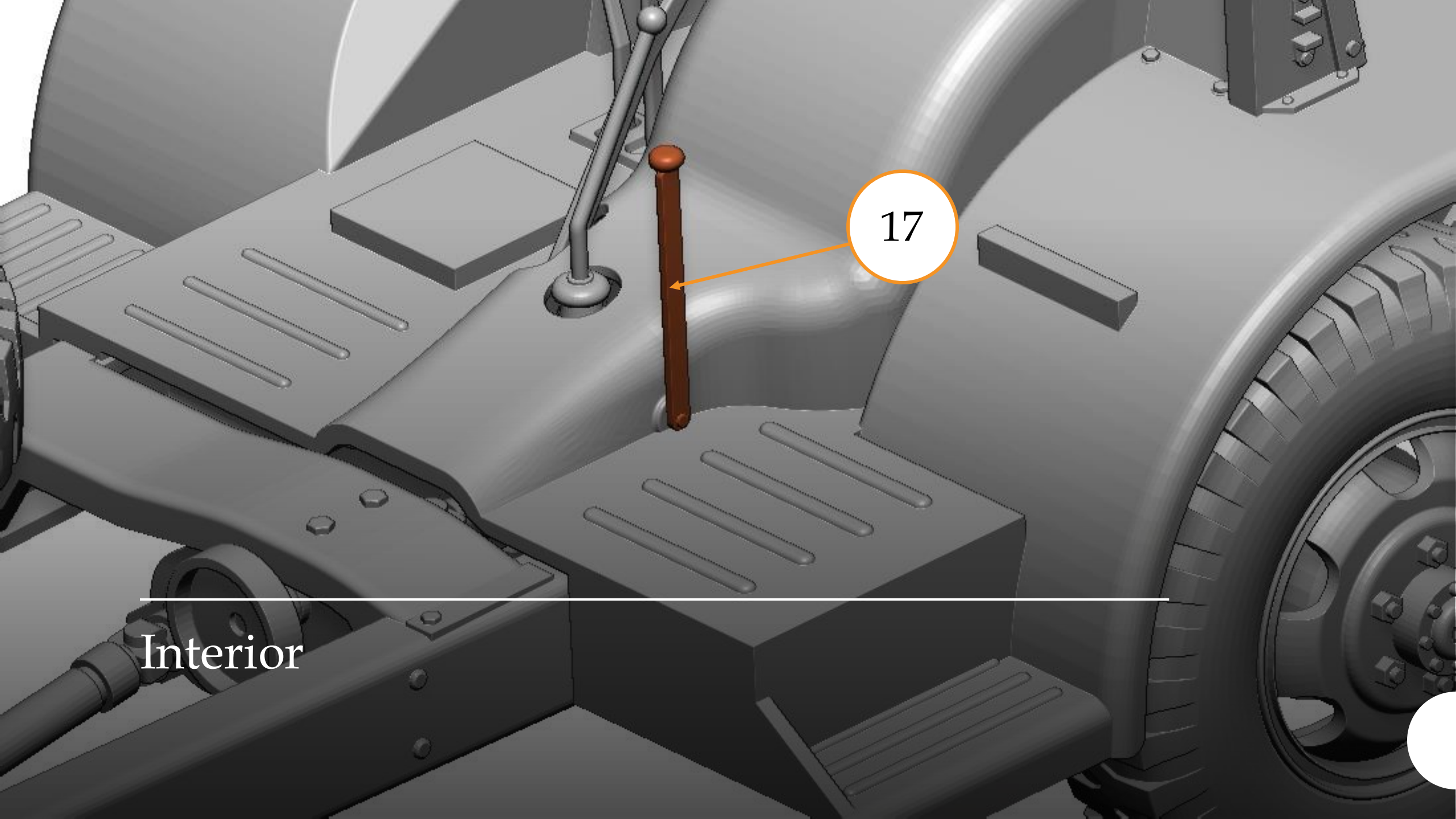
16

17

Interior

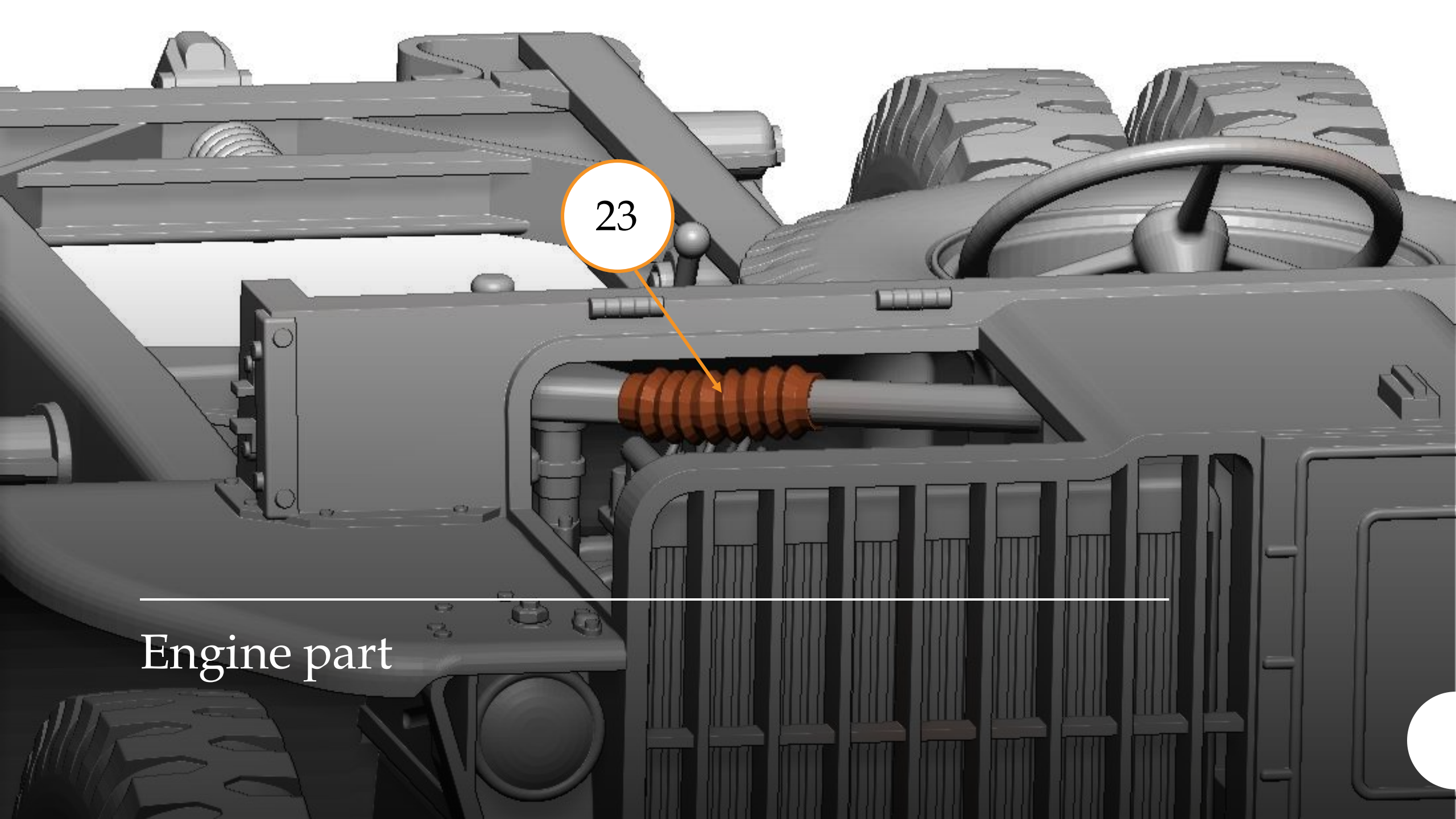
18

19



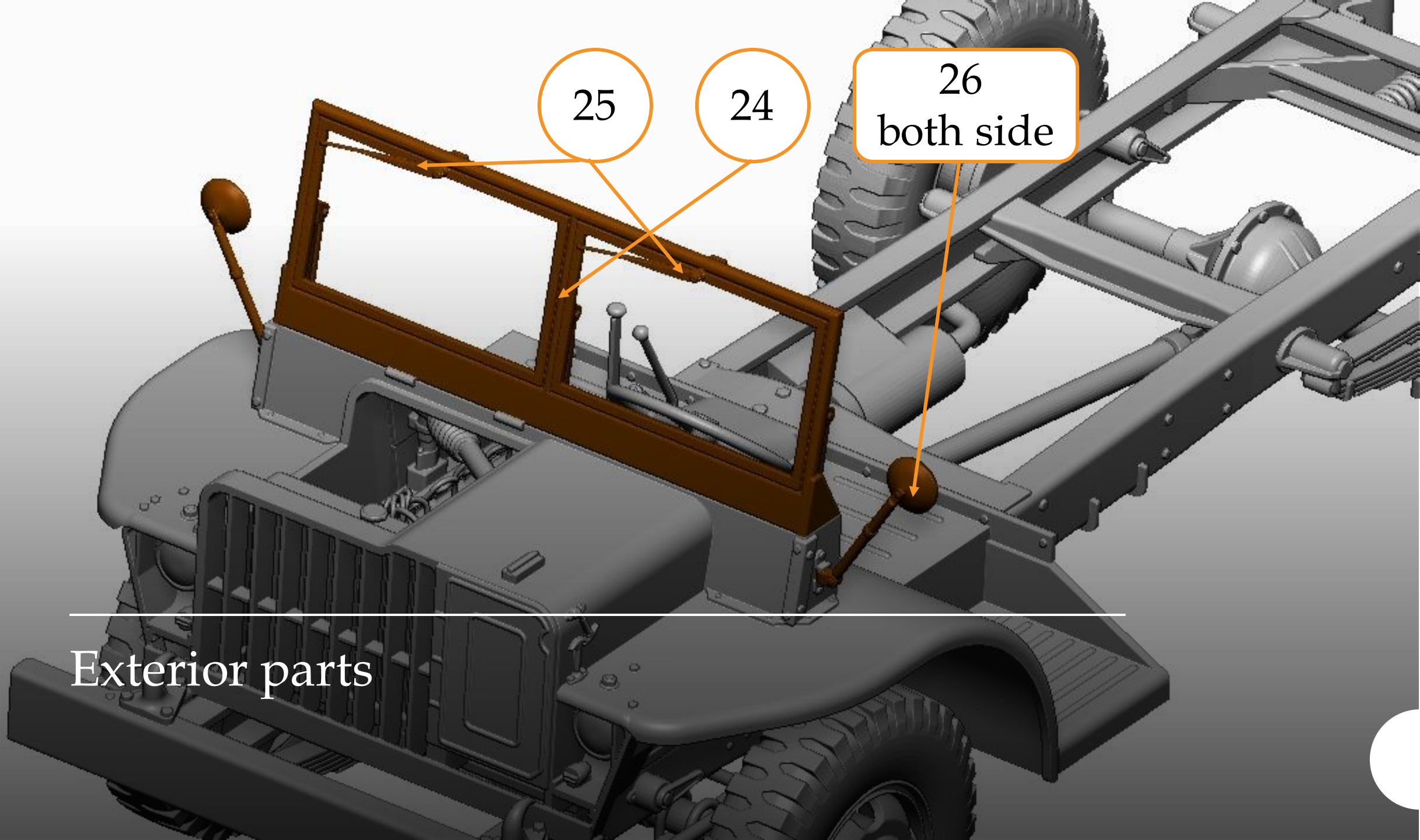
17

Interior



23

Engine part

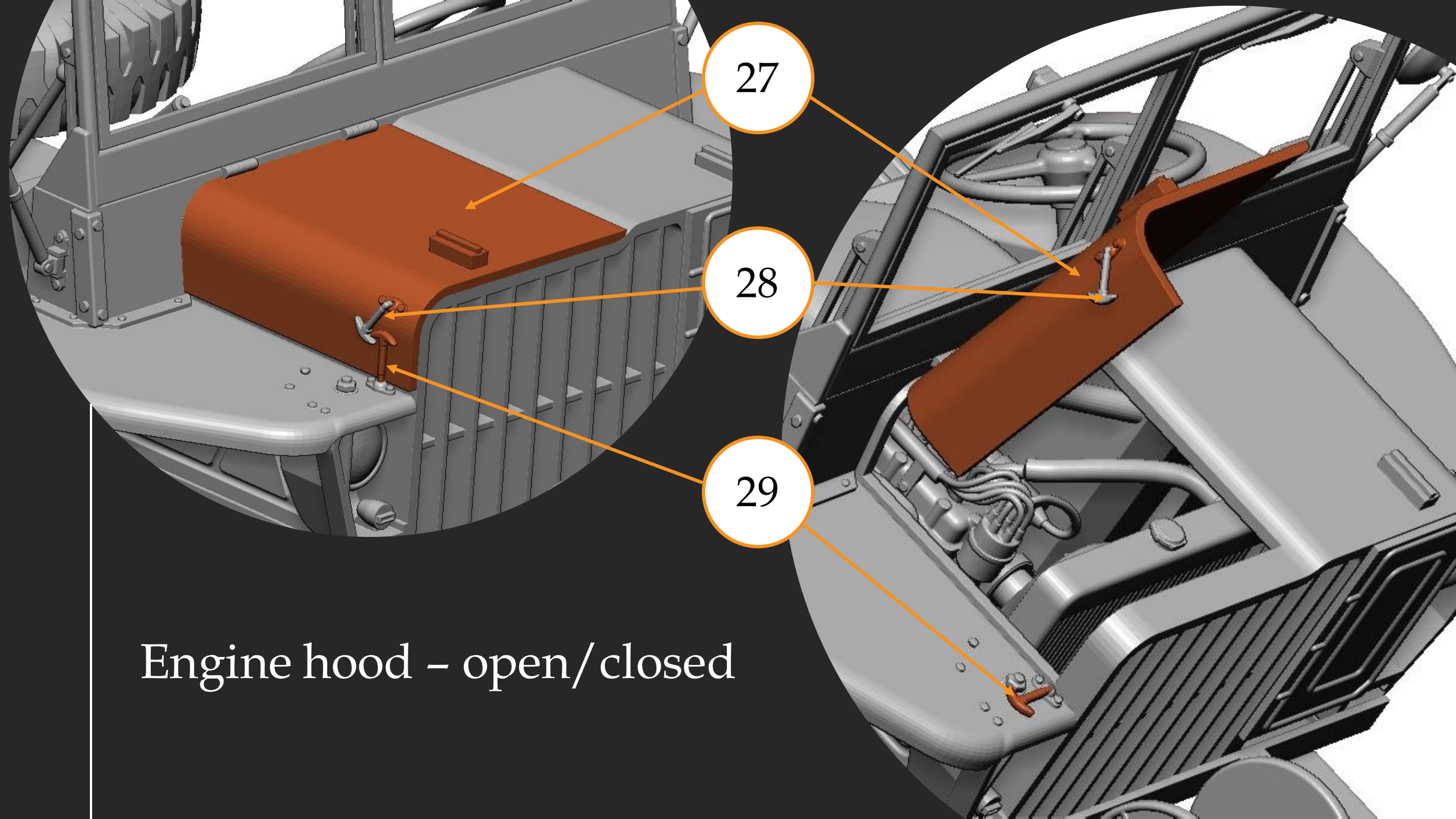


25

24

26
both side

Exterior parts



27

28

29

Engine hood – open/closed

A 3D CAD model of a vehicle's interior, showing the driver's side. The model is rendered in a light gray color, except for the driver's seat, which is highlighted in a dark brown color. A callout bubble with the number '21' inside is connected to the seat by a thin orange arrow. The vehicle's dashboard, steering wheel, and various control levers are visible. The front wheel and suspension components are also shown.

21

Driver seat

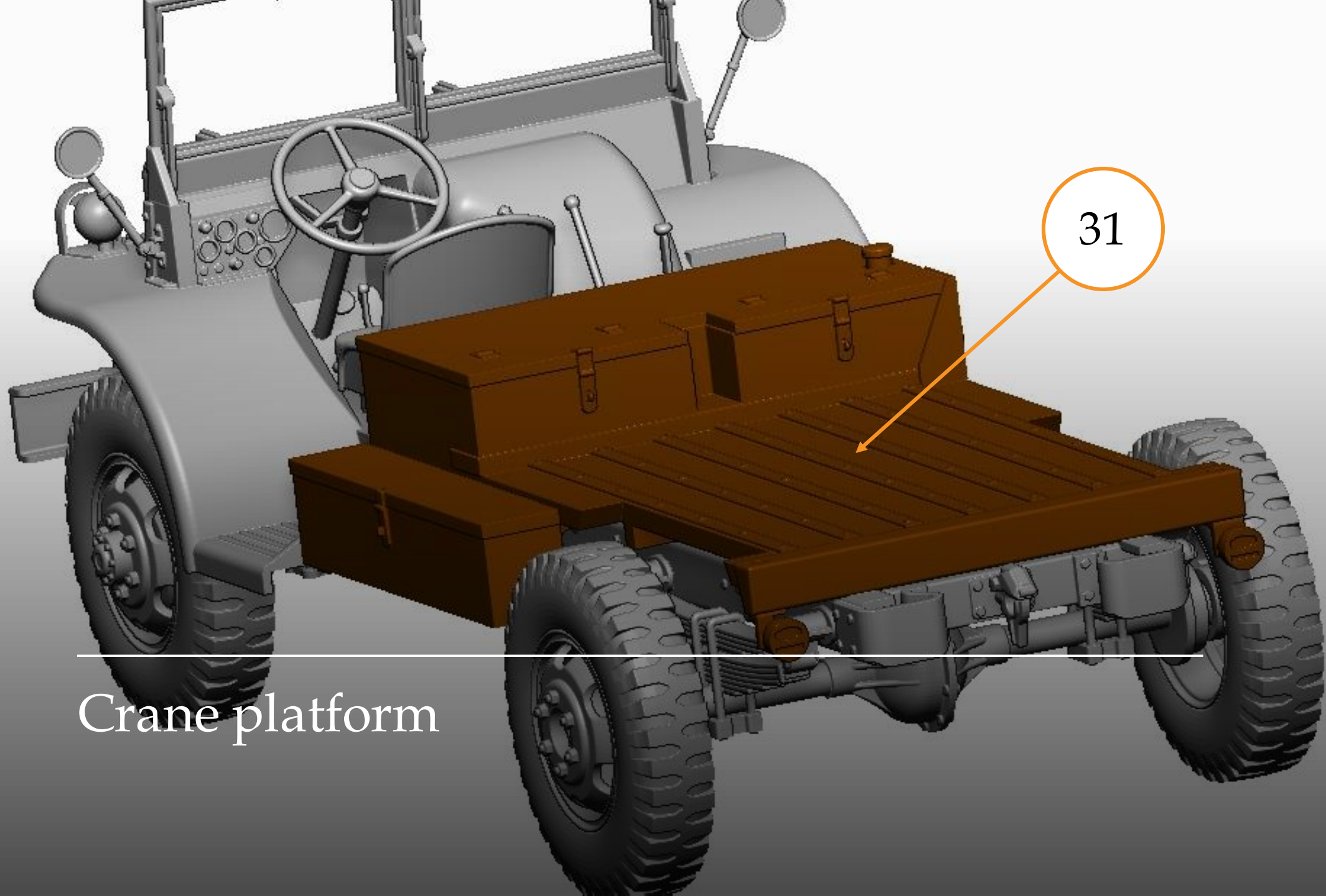
Notek



30

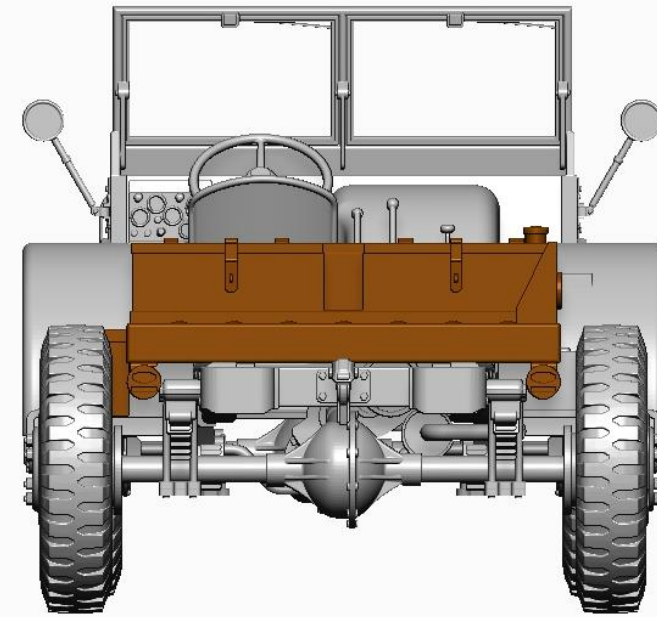
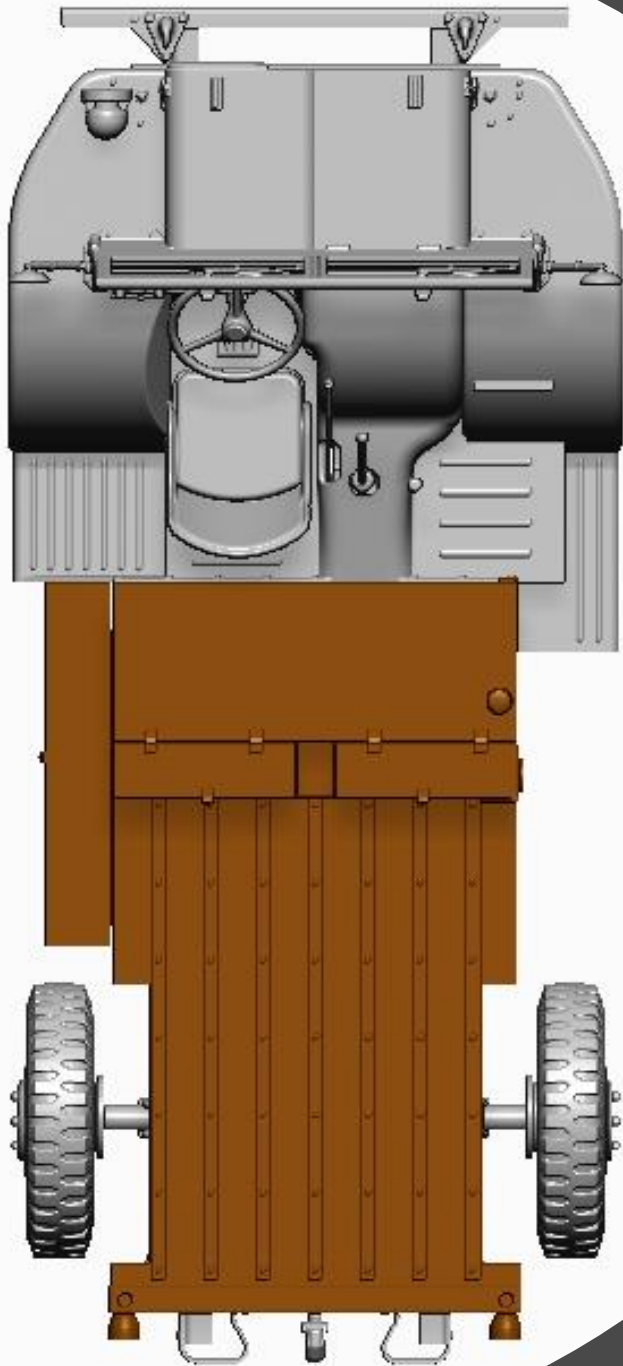
The image shows a 3D CAD model of a mechanical assembly. A brown-colored component, consisting of a curved bracket and a cylindrical roller, is mounted on a grey metal structure. Two callout boxes with orange borders and white backgrounds point to parts of this component. The top callout, labeled '30', points to the cylindrical roller. The bottom callout, labeled '30.1', points to the base of the bracket. The surrounding assembly includes various grey metal parts, including a vertical support structure with a horizontal arm and a series of gear-like teeth at the bottom right.

30.1

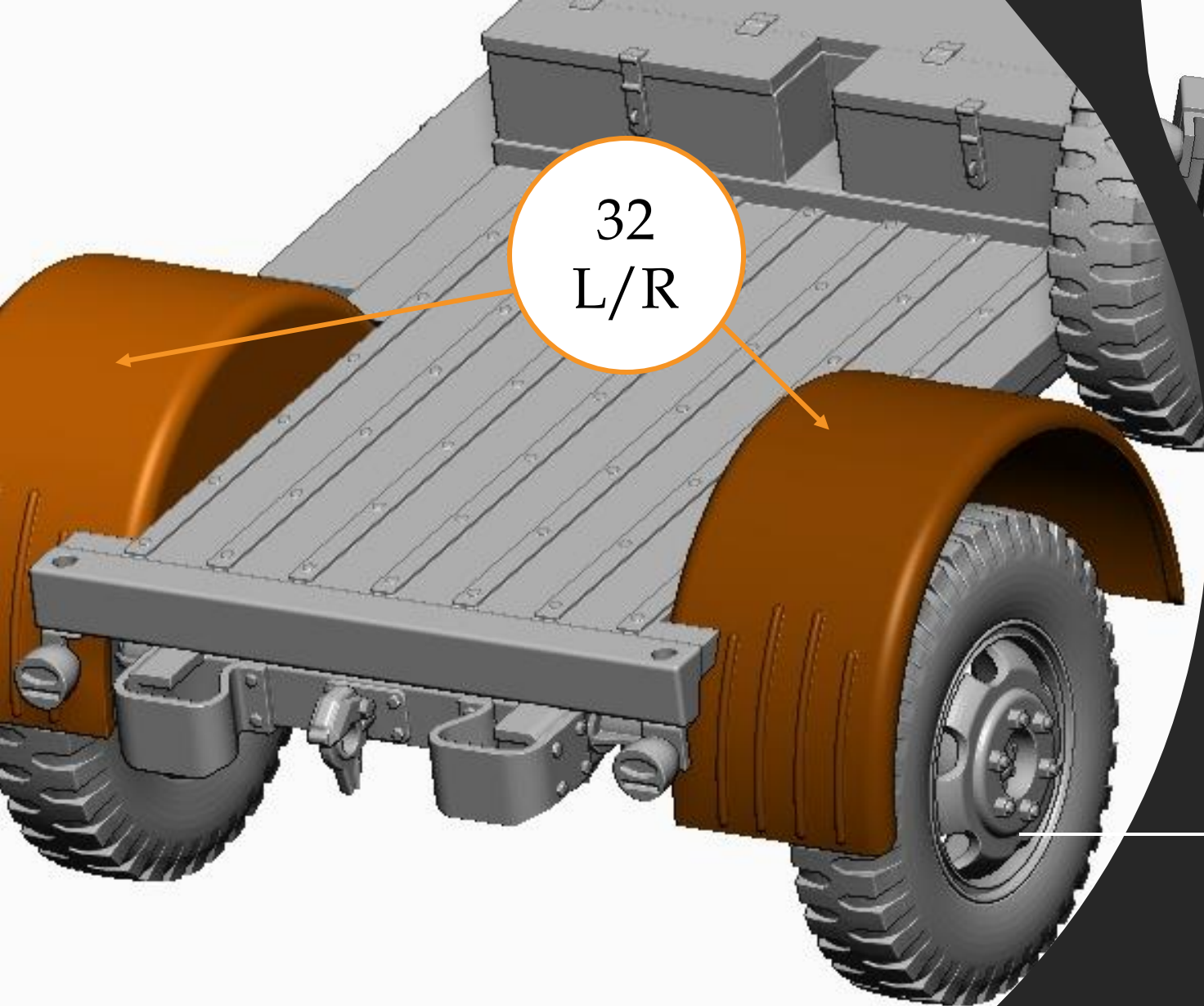


31

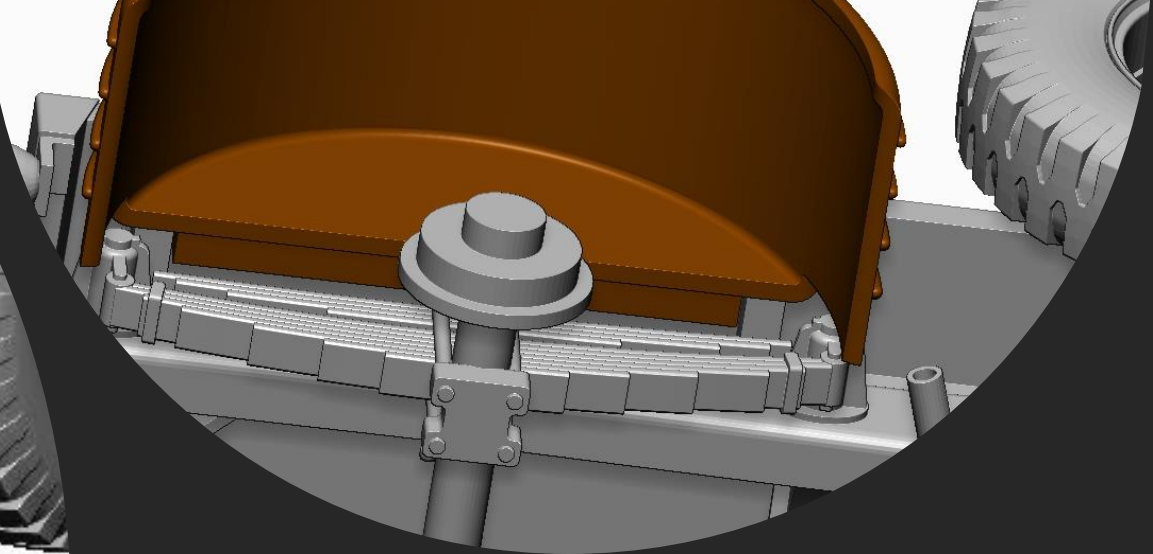
Crane platform



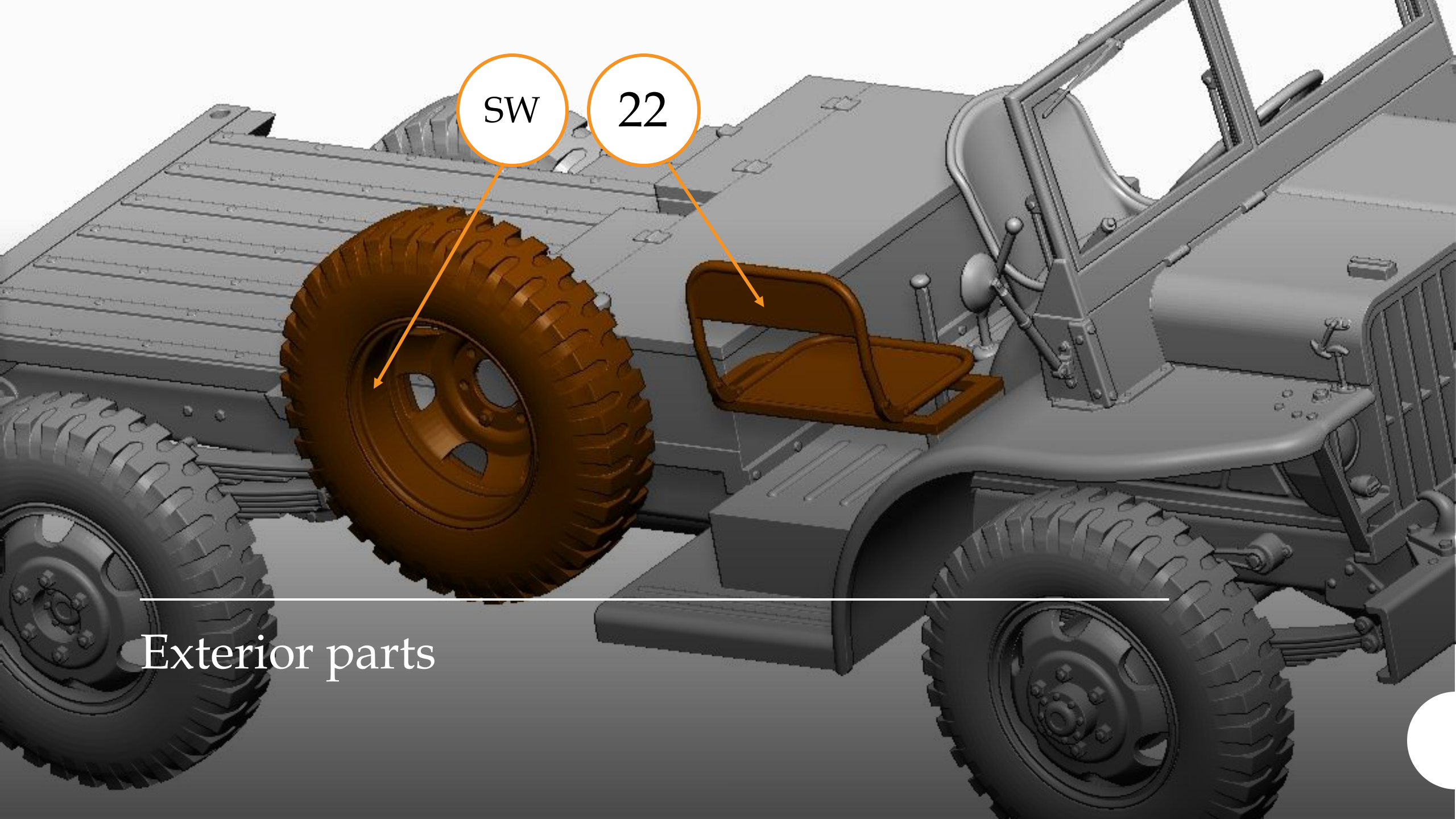
Crane platform position



32
L/R



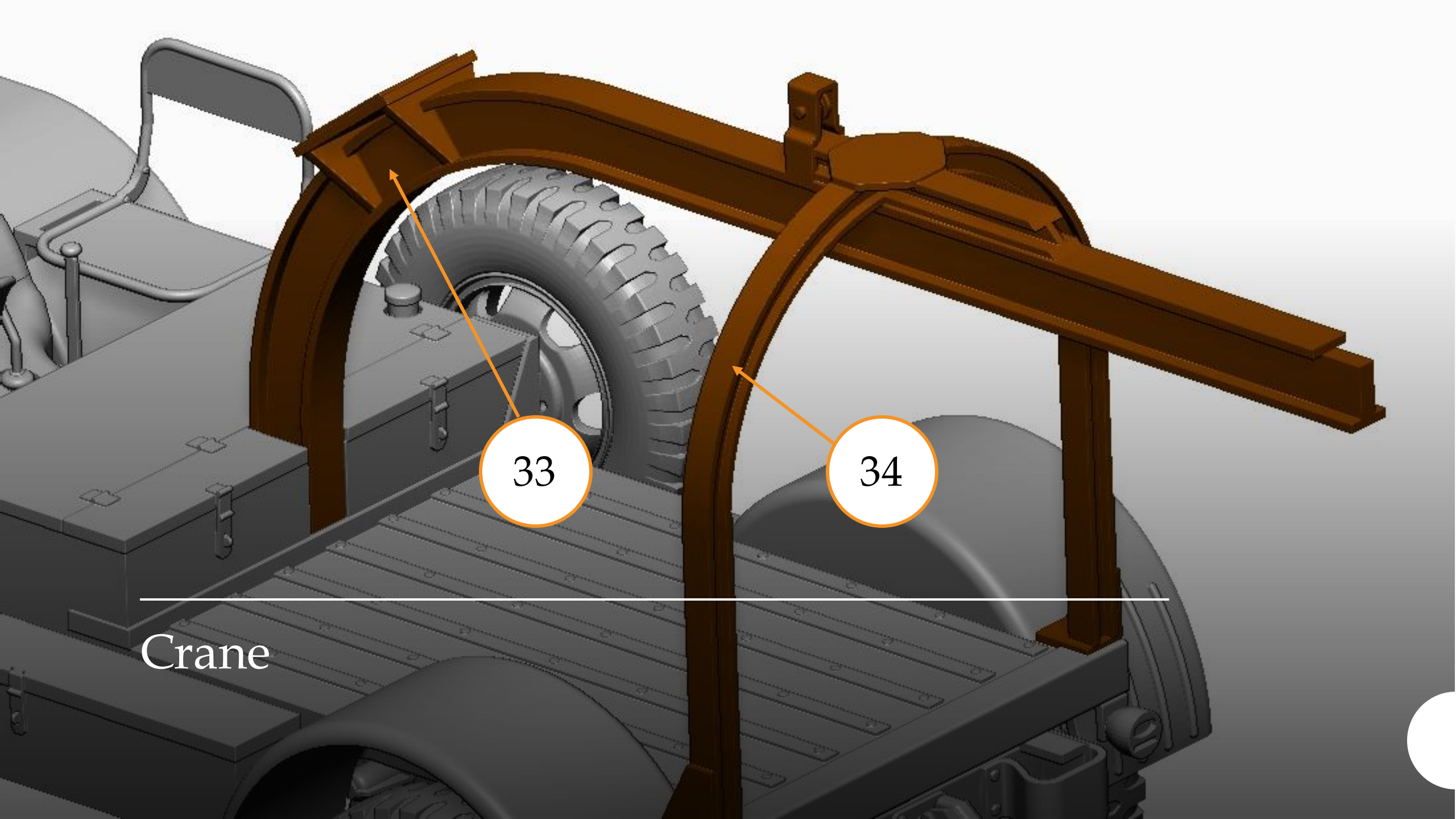
Rear fenders



SW

22

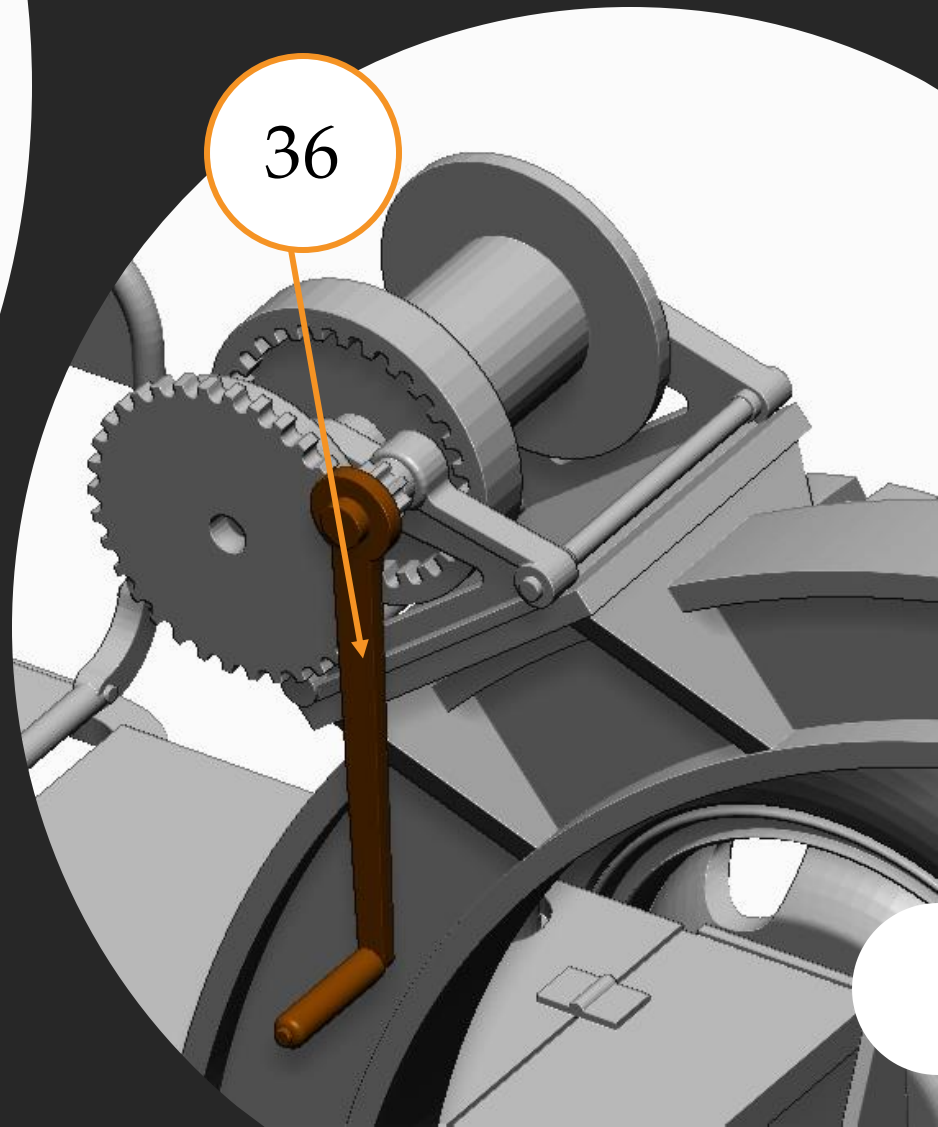
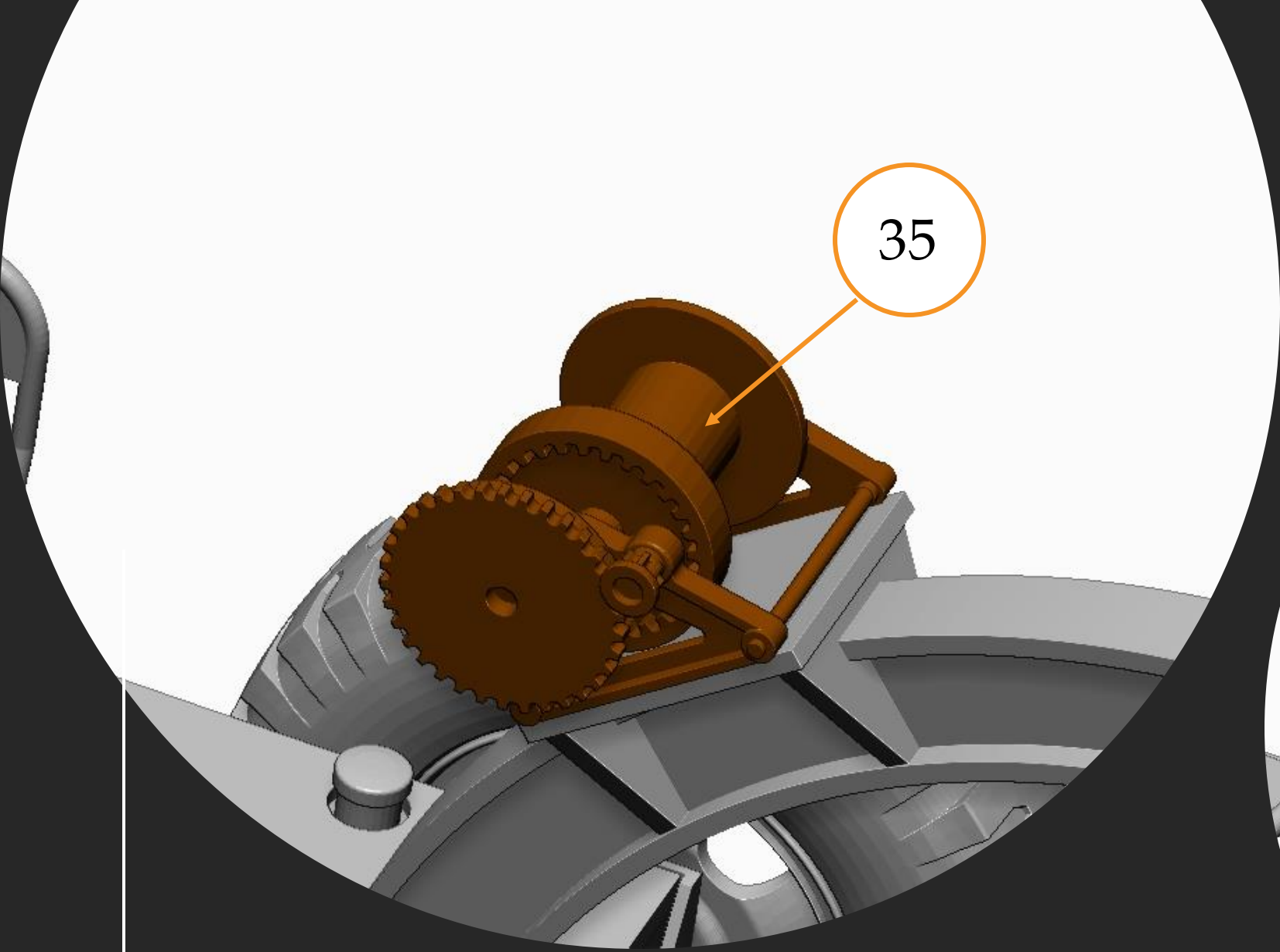
Exterior parts



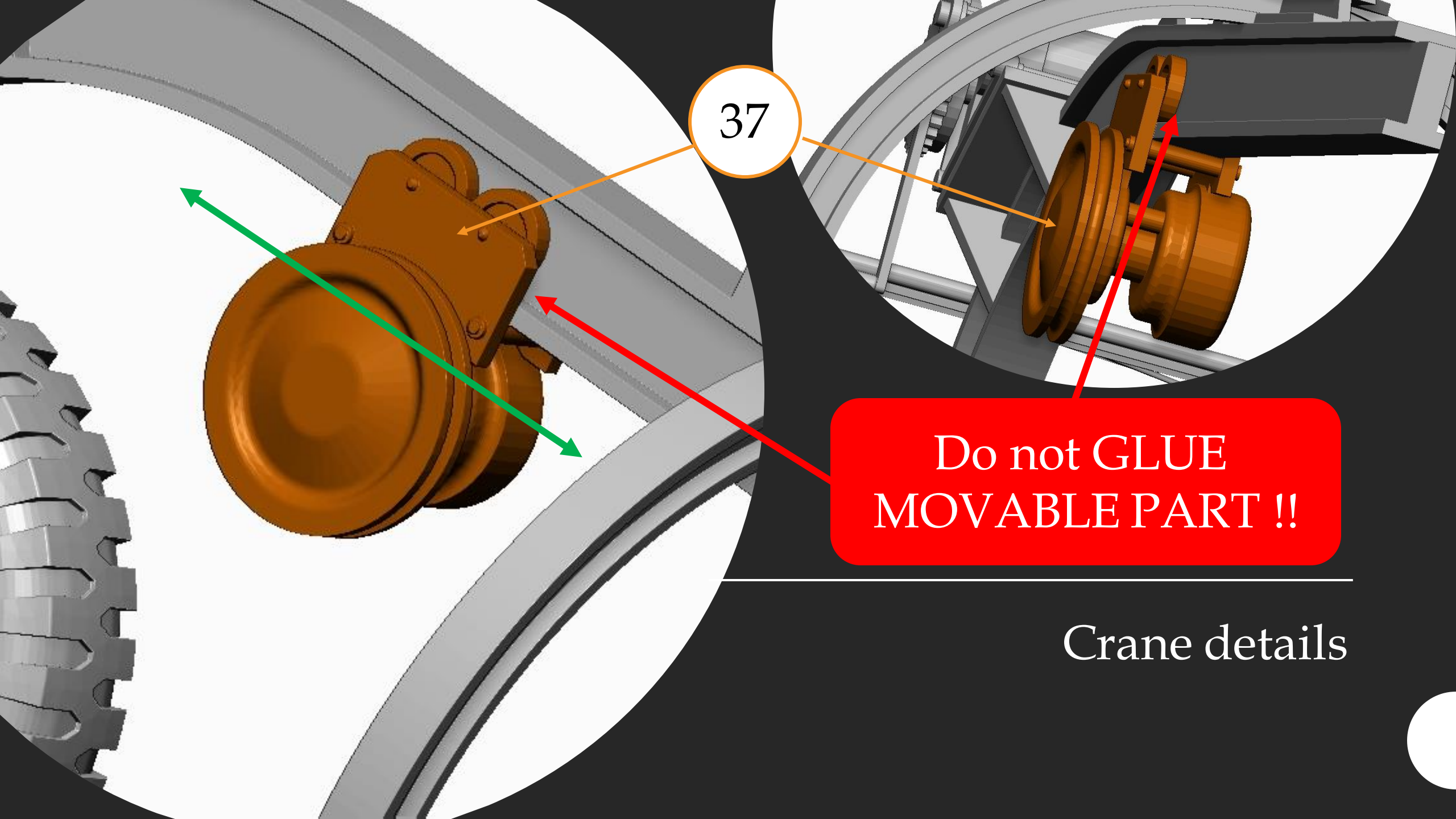
33

34

Crane



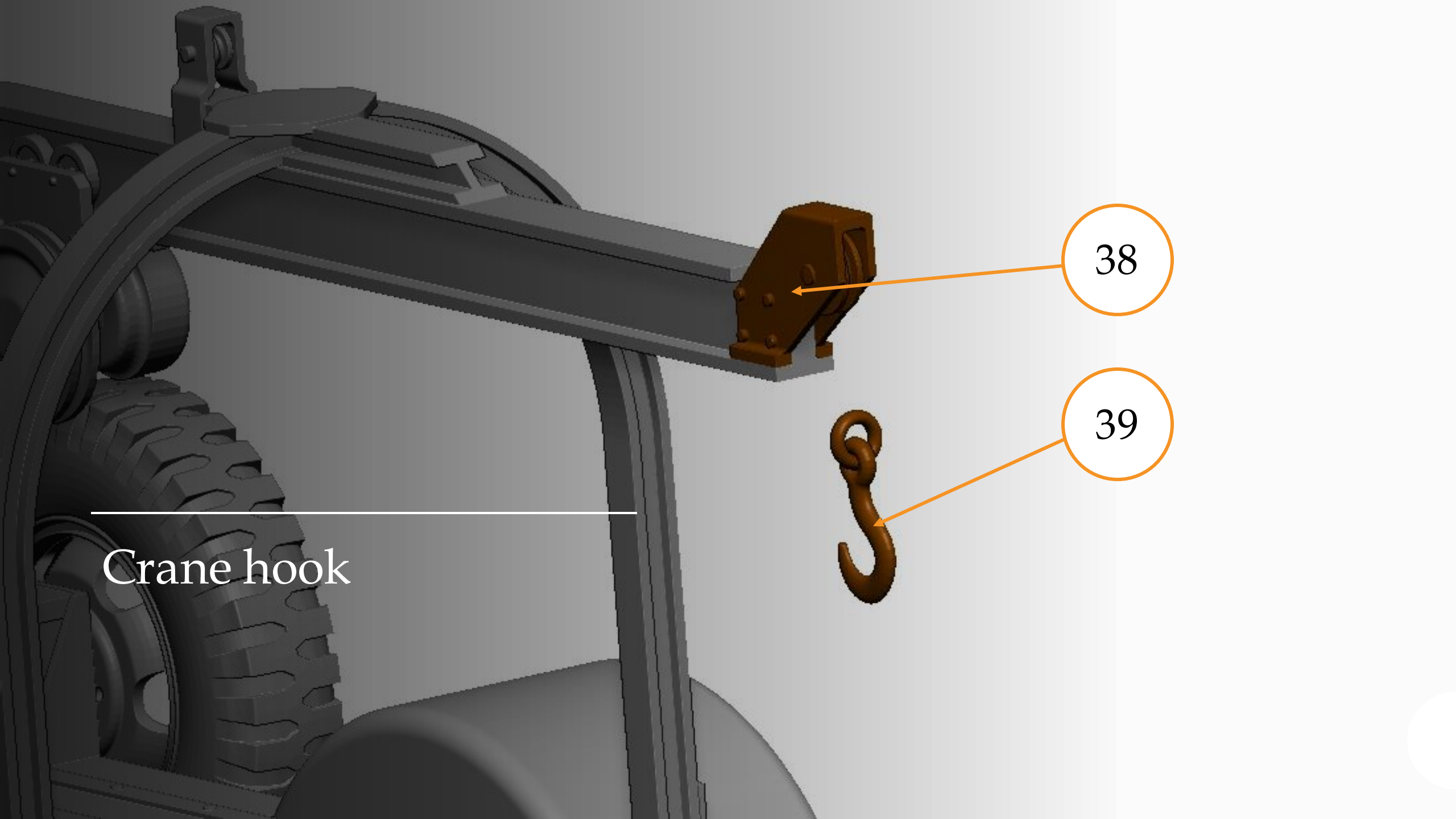
Crane details



37

**Do not GLUE
MOVABLE PART !!**

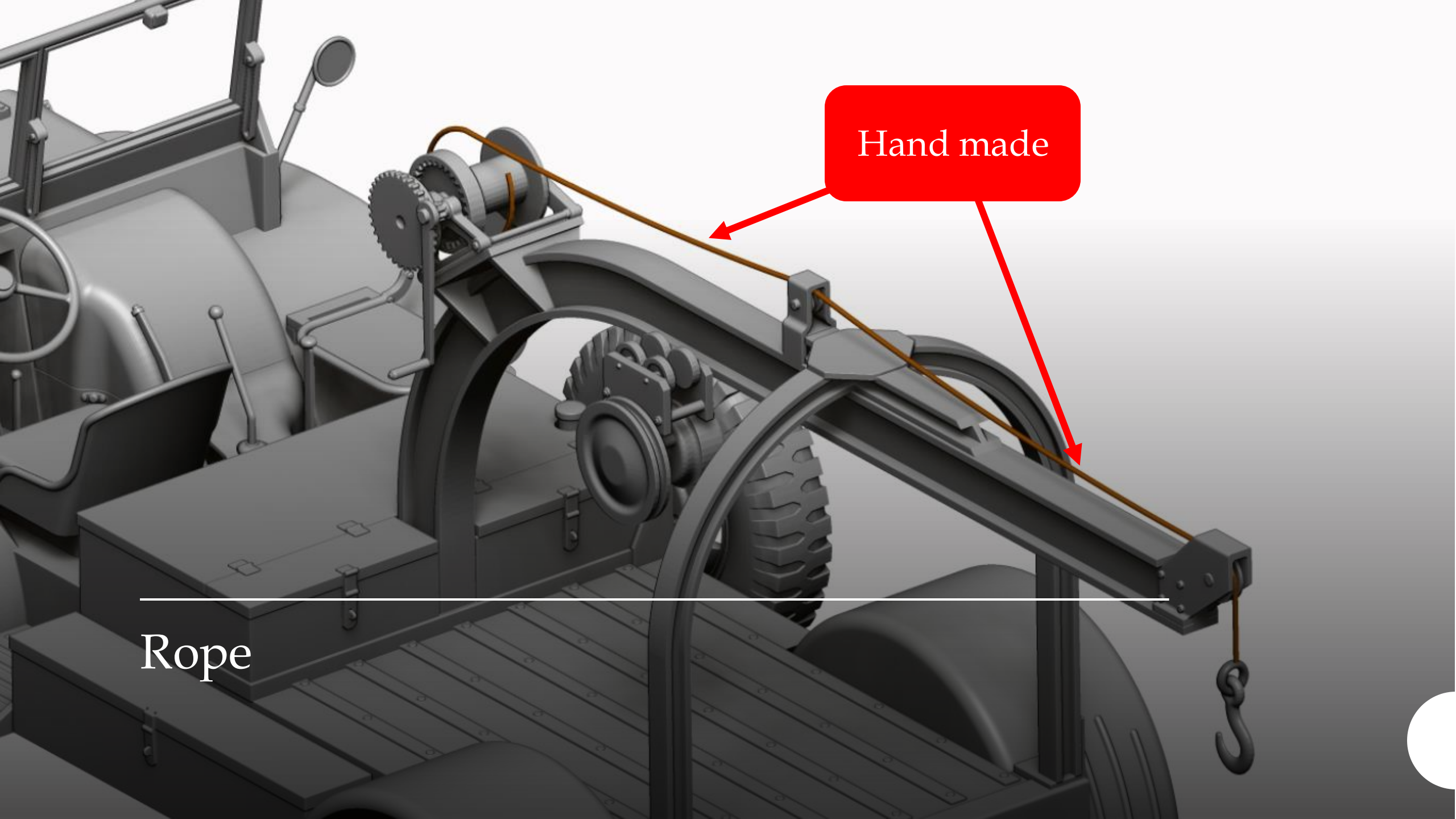
Crane details



38

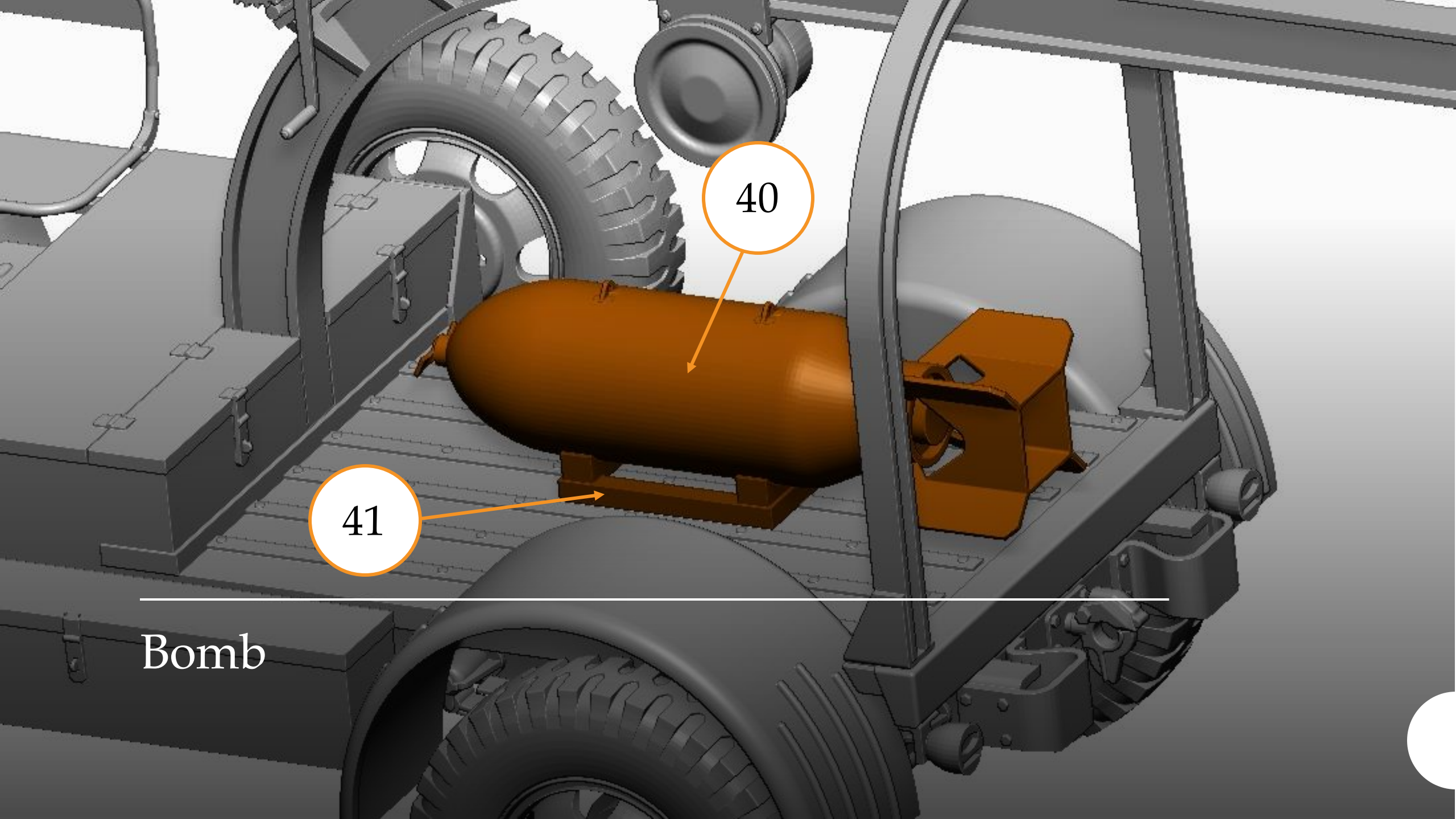
39

Crane hook



Hand made

Rope



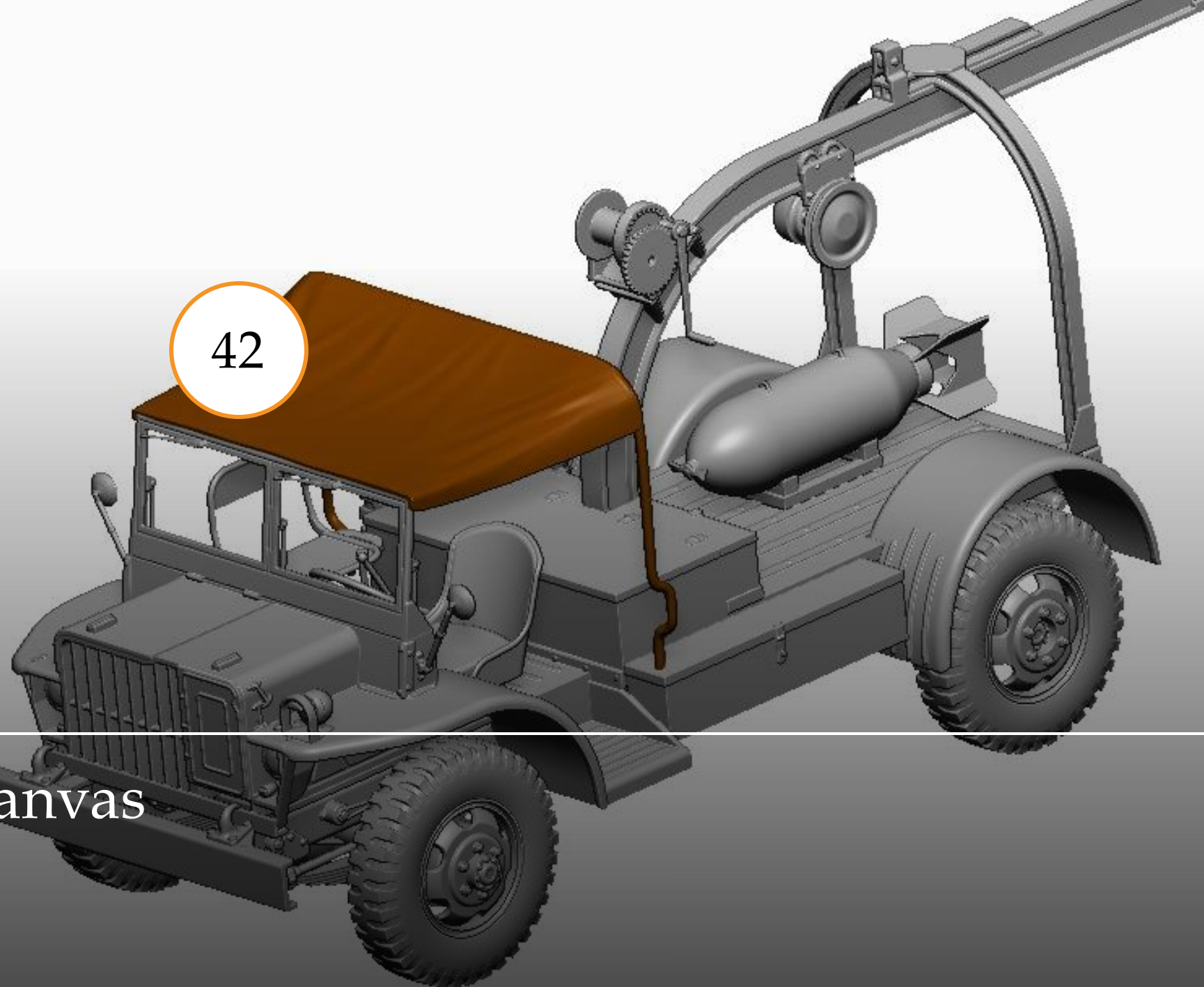
40

41

Bomb

42

Canvas





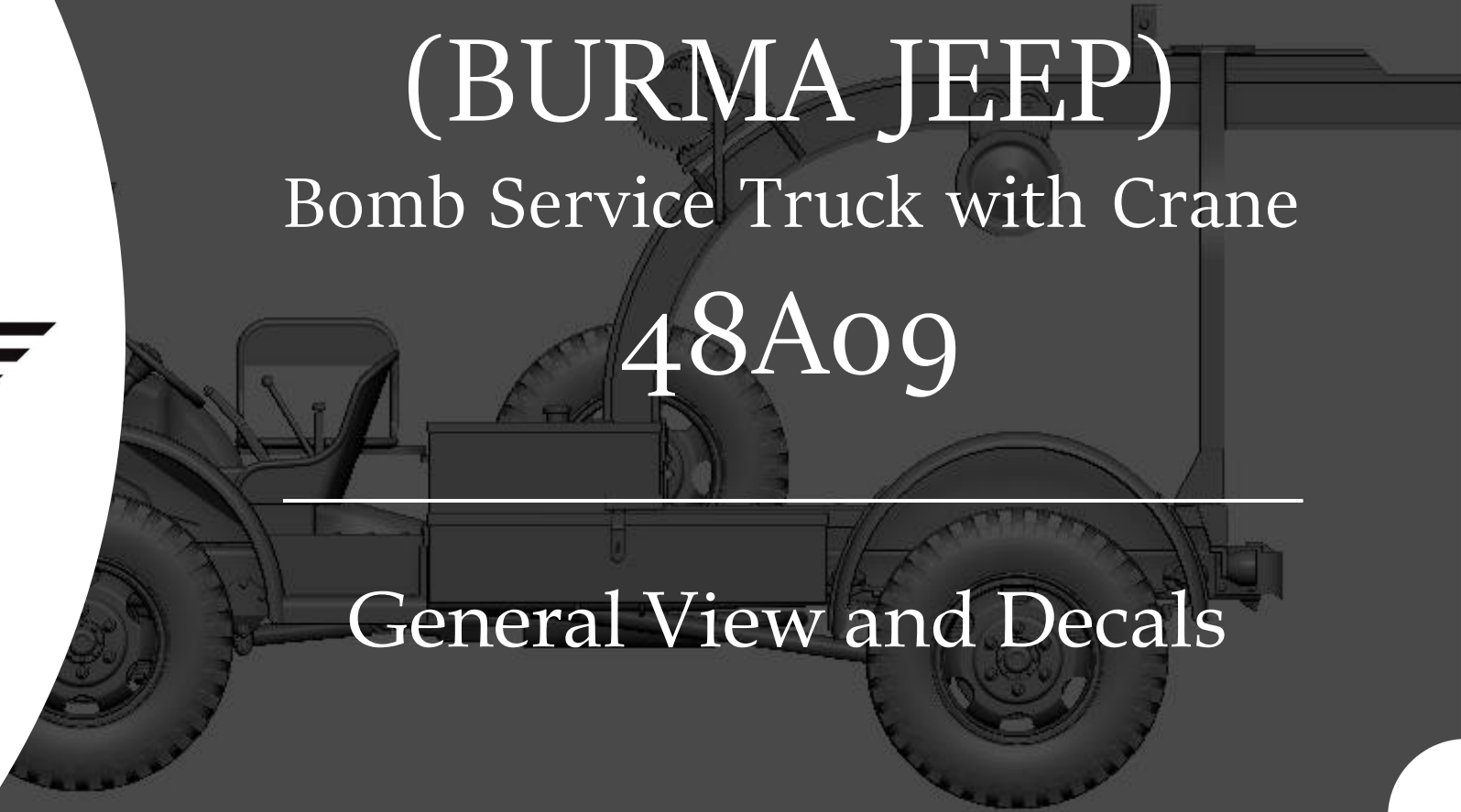
DOGFIGHT
WORKSHOP

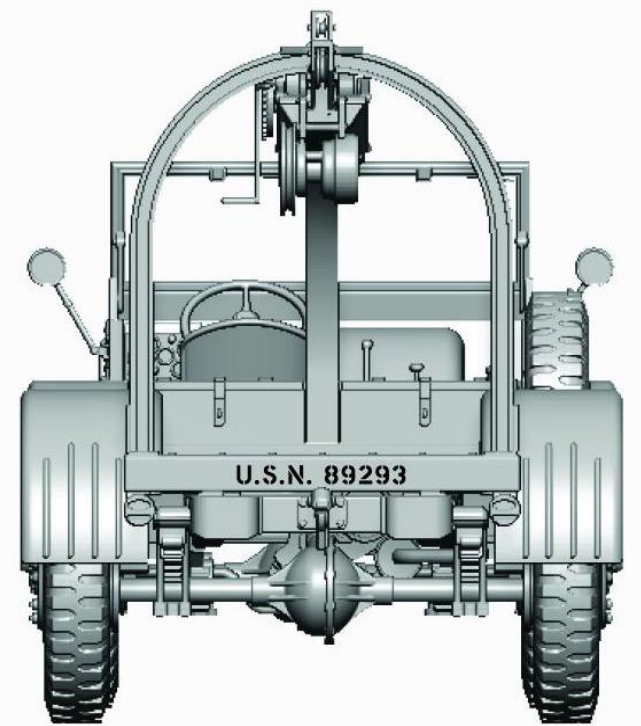
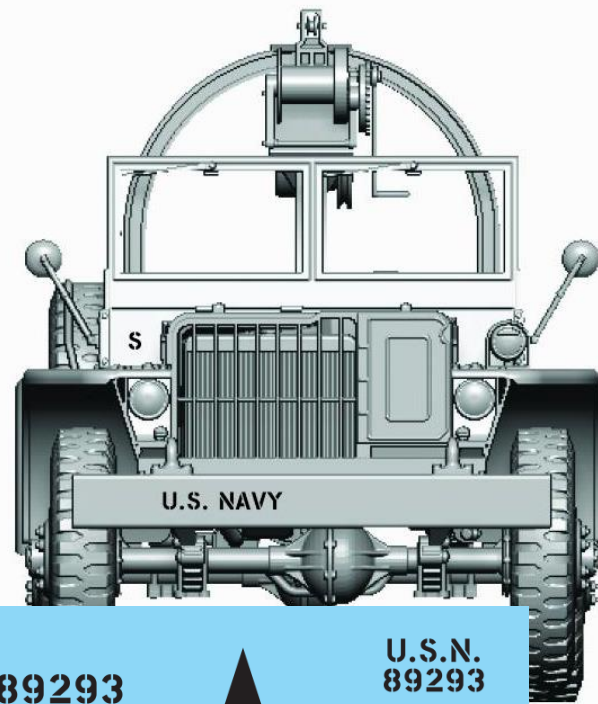
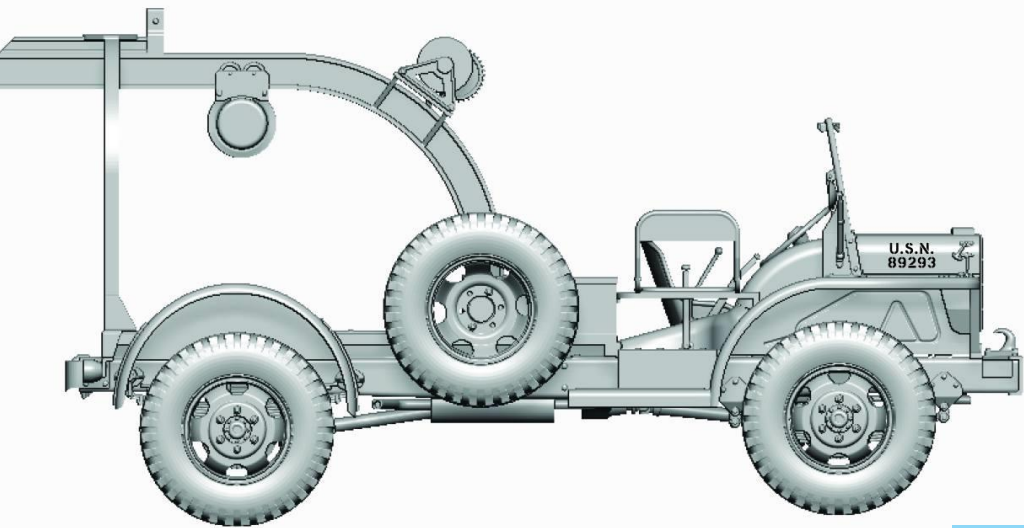
G-622 FORD GTBS (BURMA JEEP)

Bomb Service Truck with Crane

48A09

General View and Decals





U.S.N. 89293
U.S. NAVY S



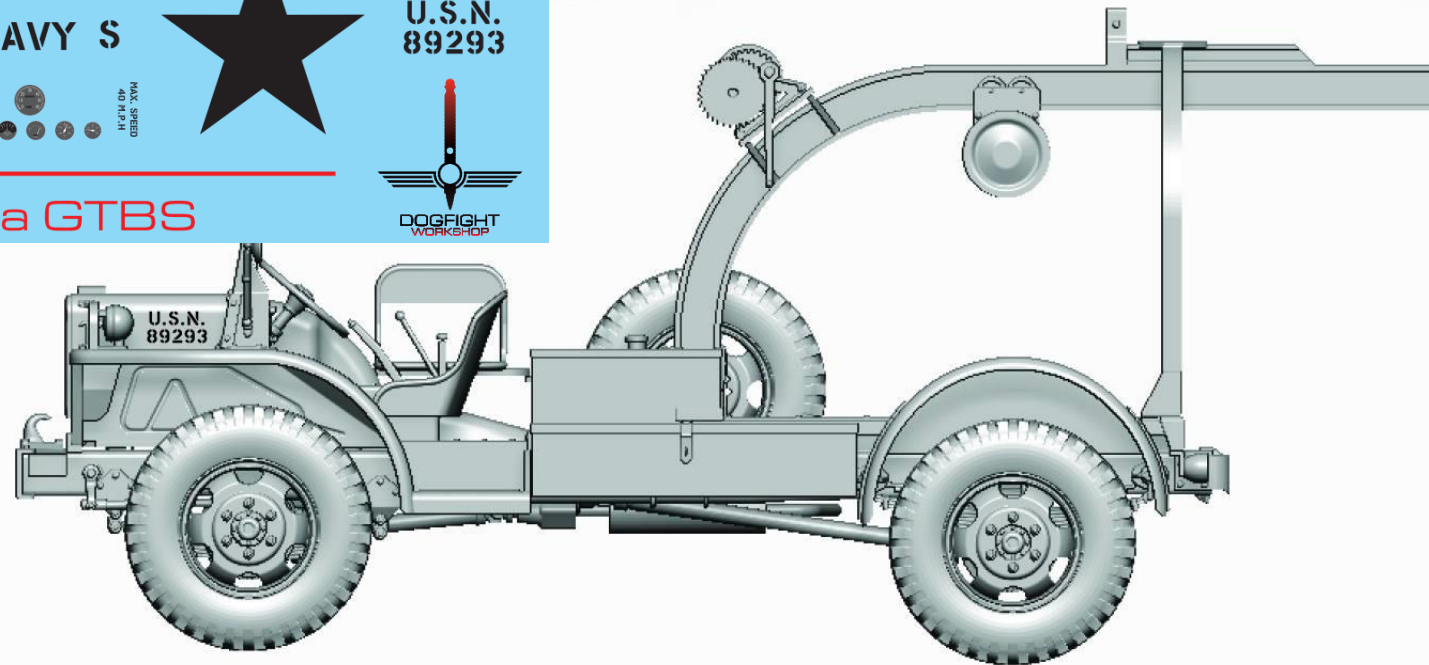
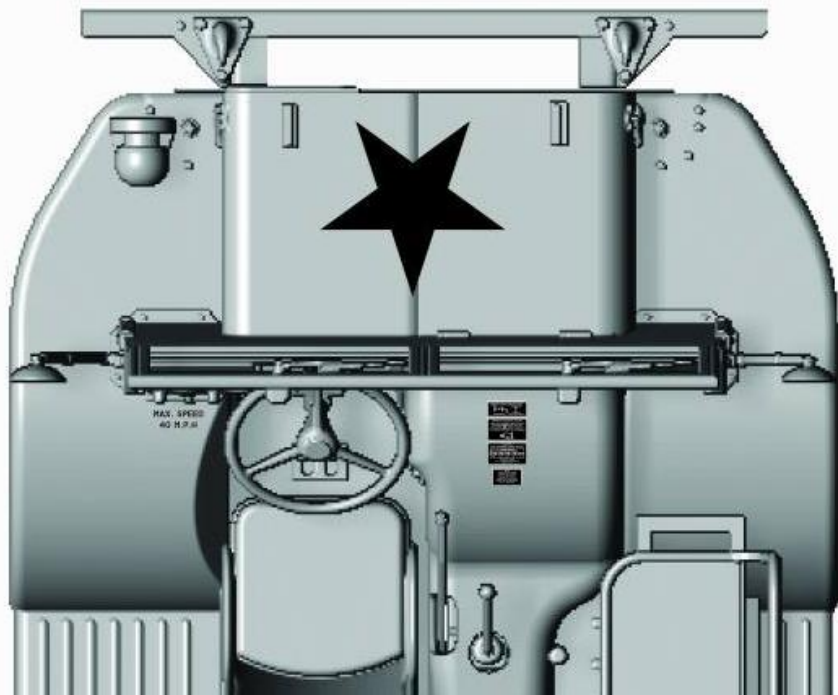
U.S.N. 89293
U.S.N. 89293

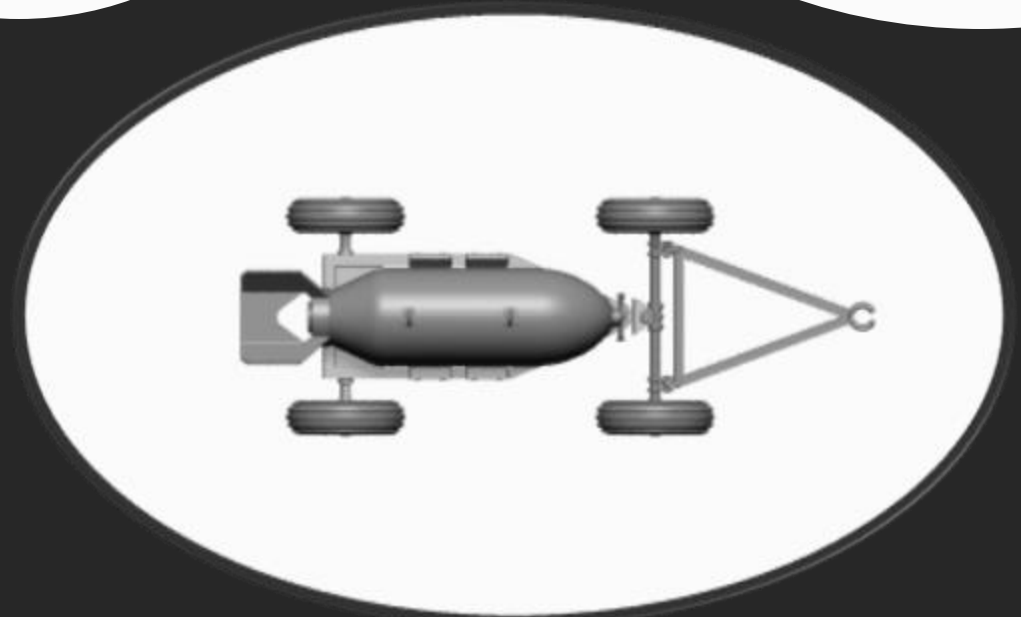
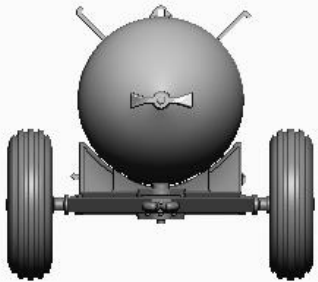
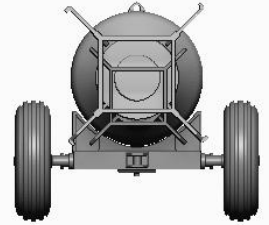
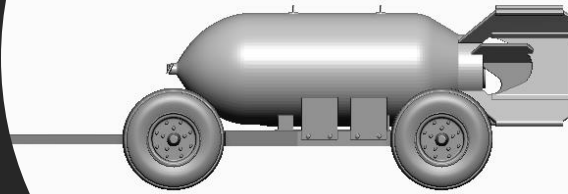
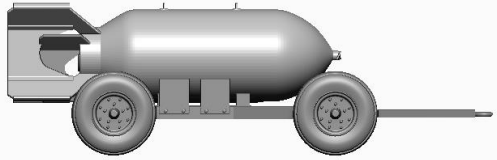


Burma GTBS

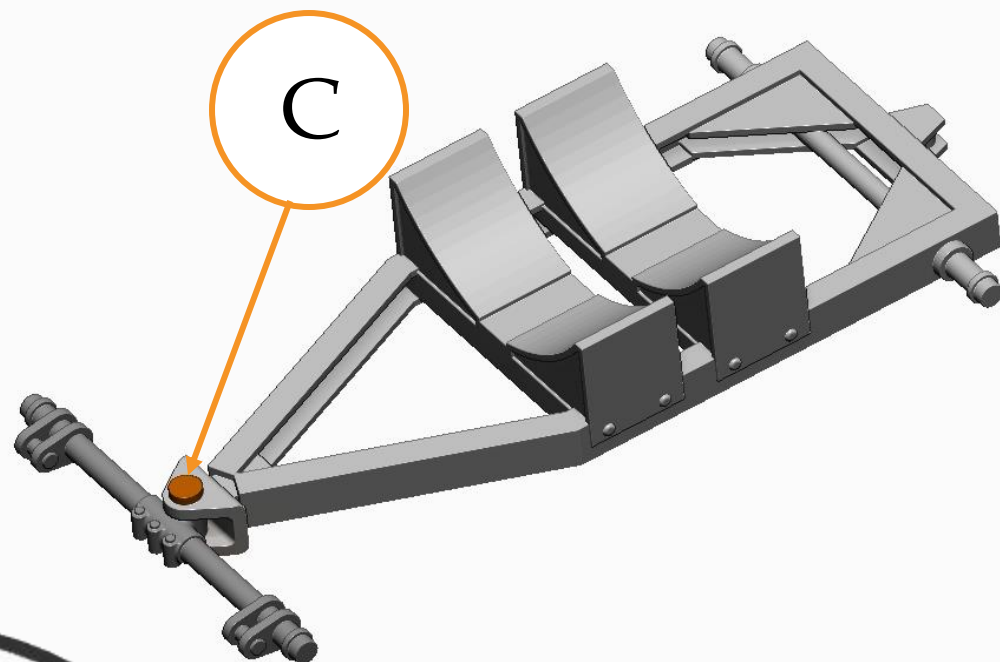
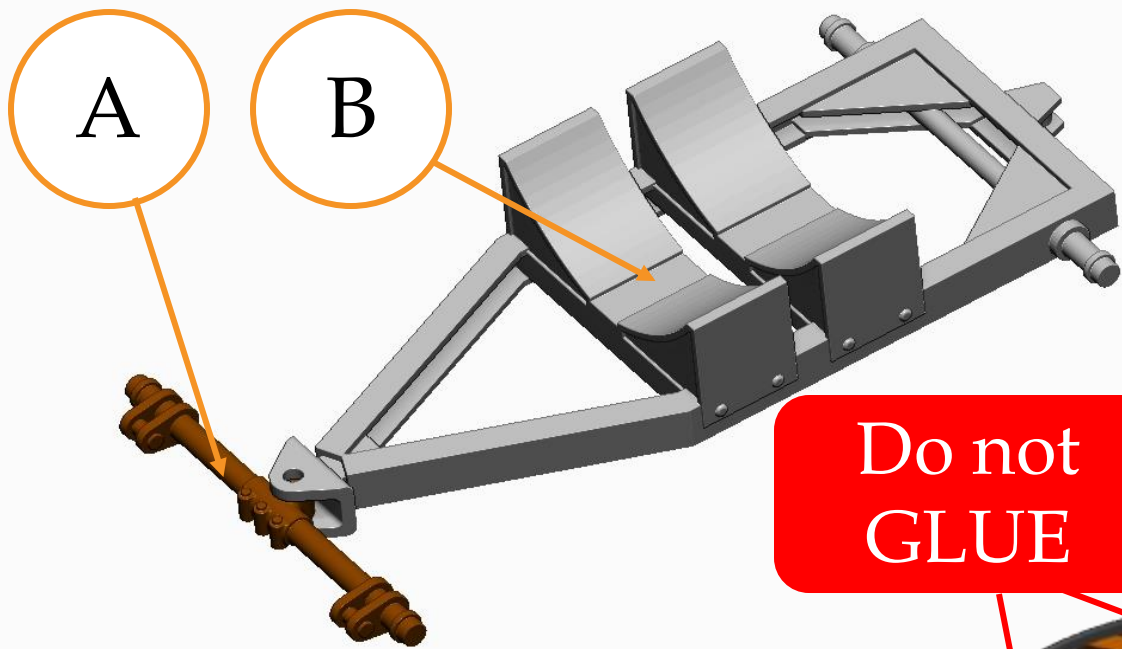


DOG FIGHT
WORKSHOP

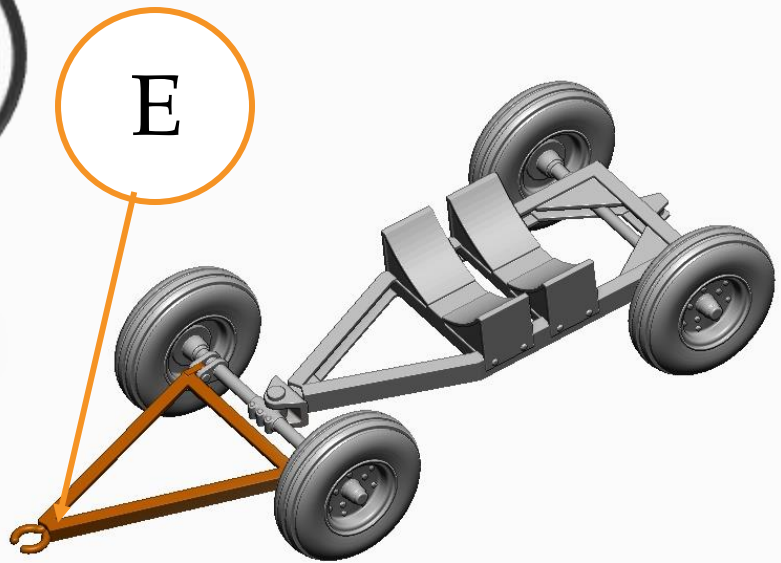
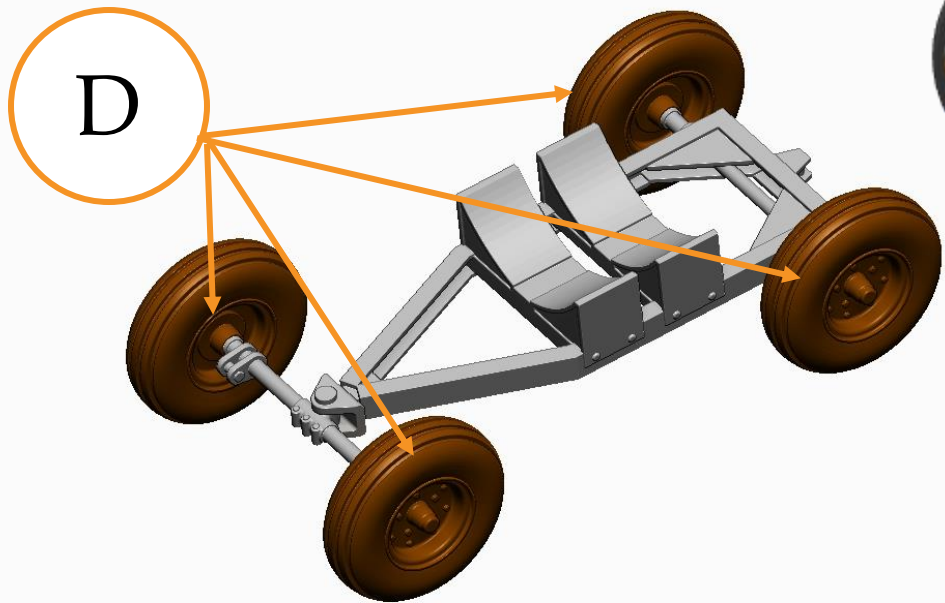
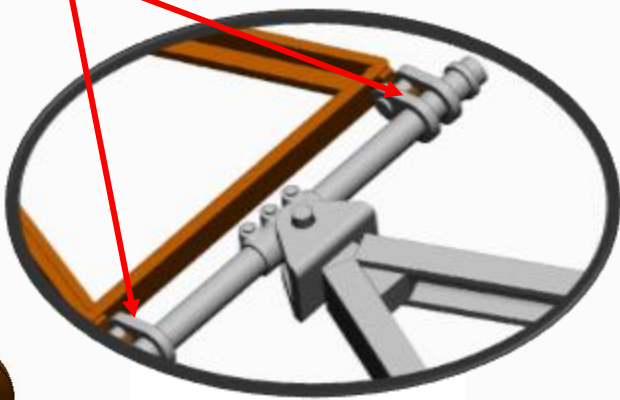




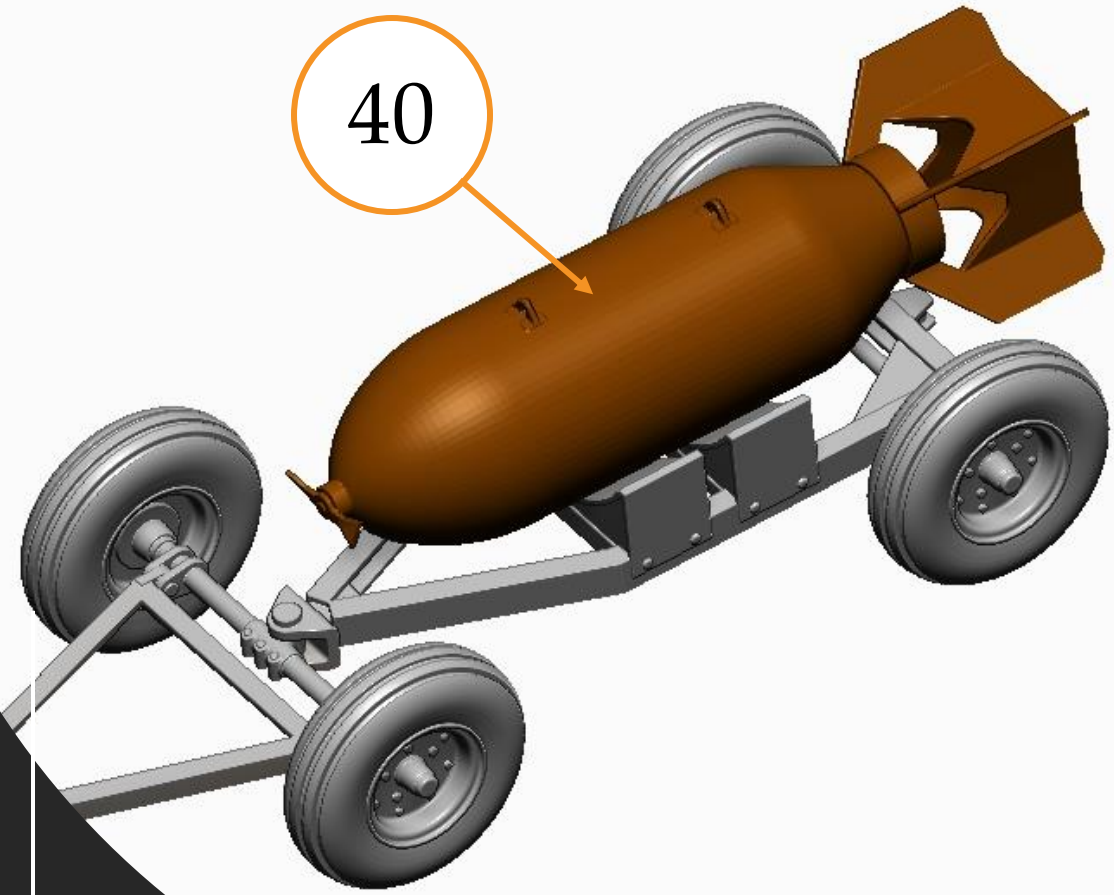
Bomb cart



Do not
GLUE



40



Bomb 500kg



DOGFIGHT
WORKSHOP



DOGFIGHT
WORKSHOP

Thank you for choosing our product. With each subsequent one we make every effort to make our models better and better.

Happy Modelling

Dogfight Workshop Team

www.dogfightworkshop.pl

office@dogfightworkshop.pl