



DOGFIGHT  
WORKSHOP

Utility  $\frac{1}{4}$  Truck

British Special Air Service

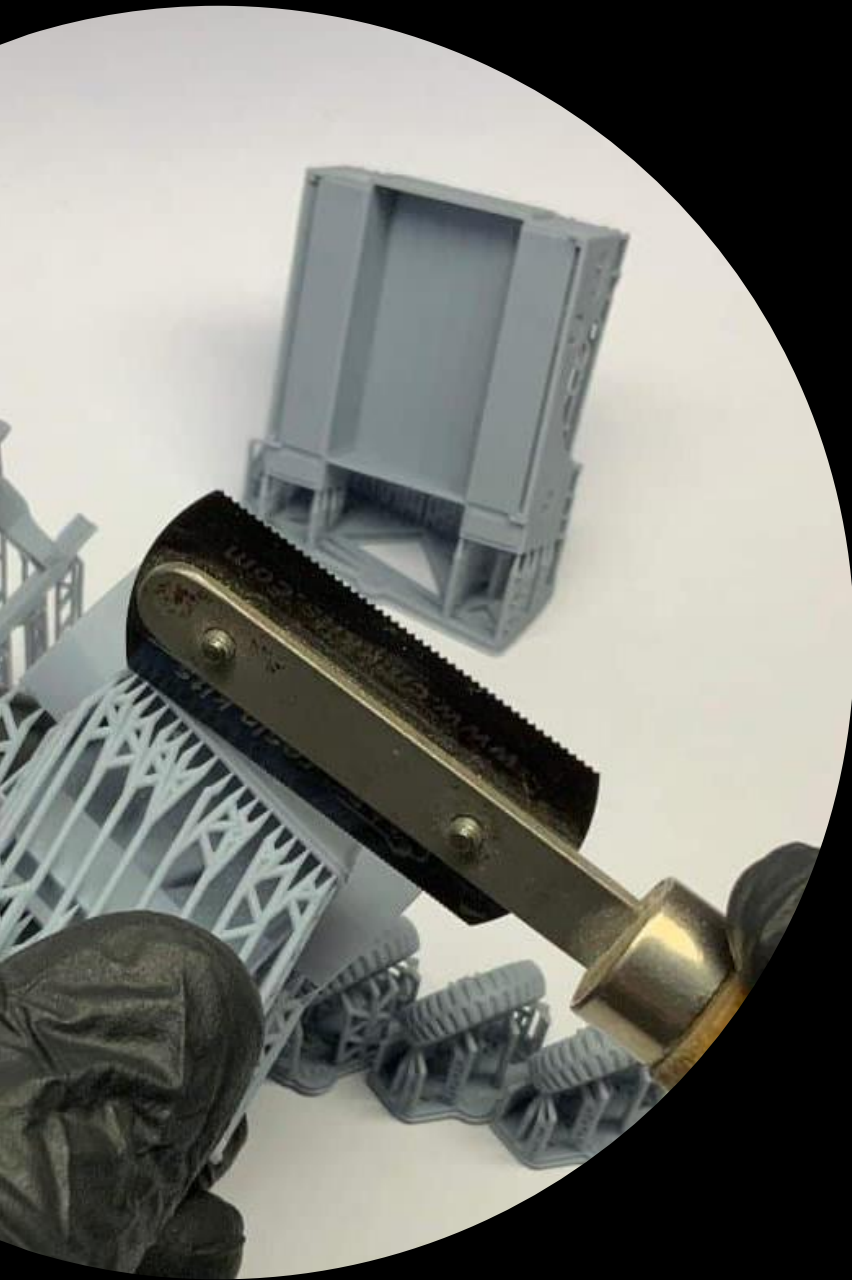
*scale 1/48*

---

*Full 3D printed*

*1/48 Military Miniature Series No.: 48A09*

*Overall Length 70 mm*



## A few tips and tricks how to prepare our models

*1 - Cutting off printing supports ...*

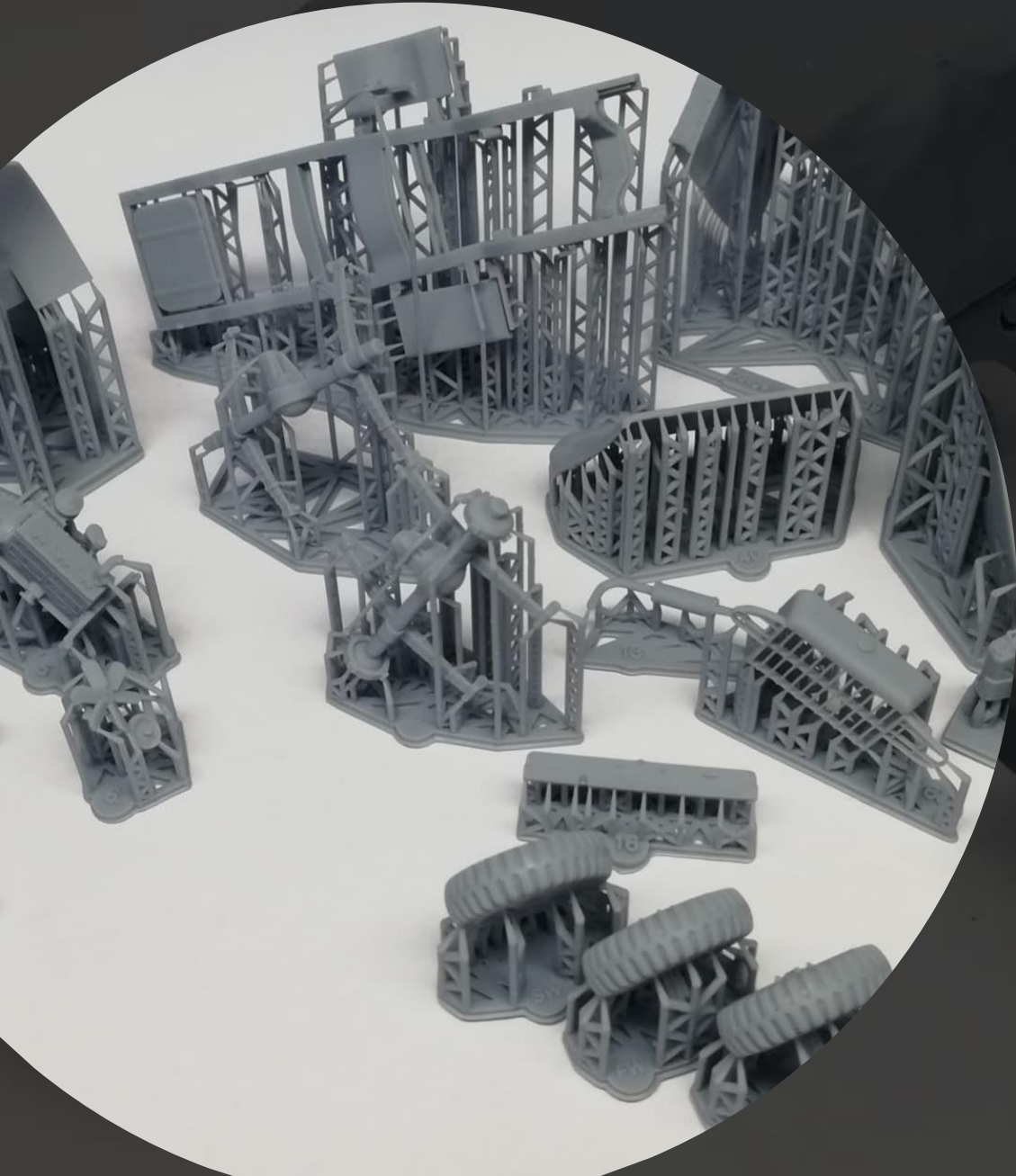
*- modelling knife*

*- modelling cutter*

*- modelling saw*

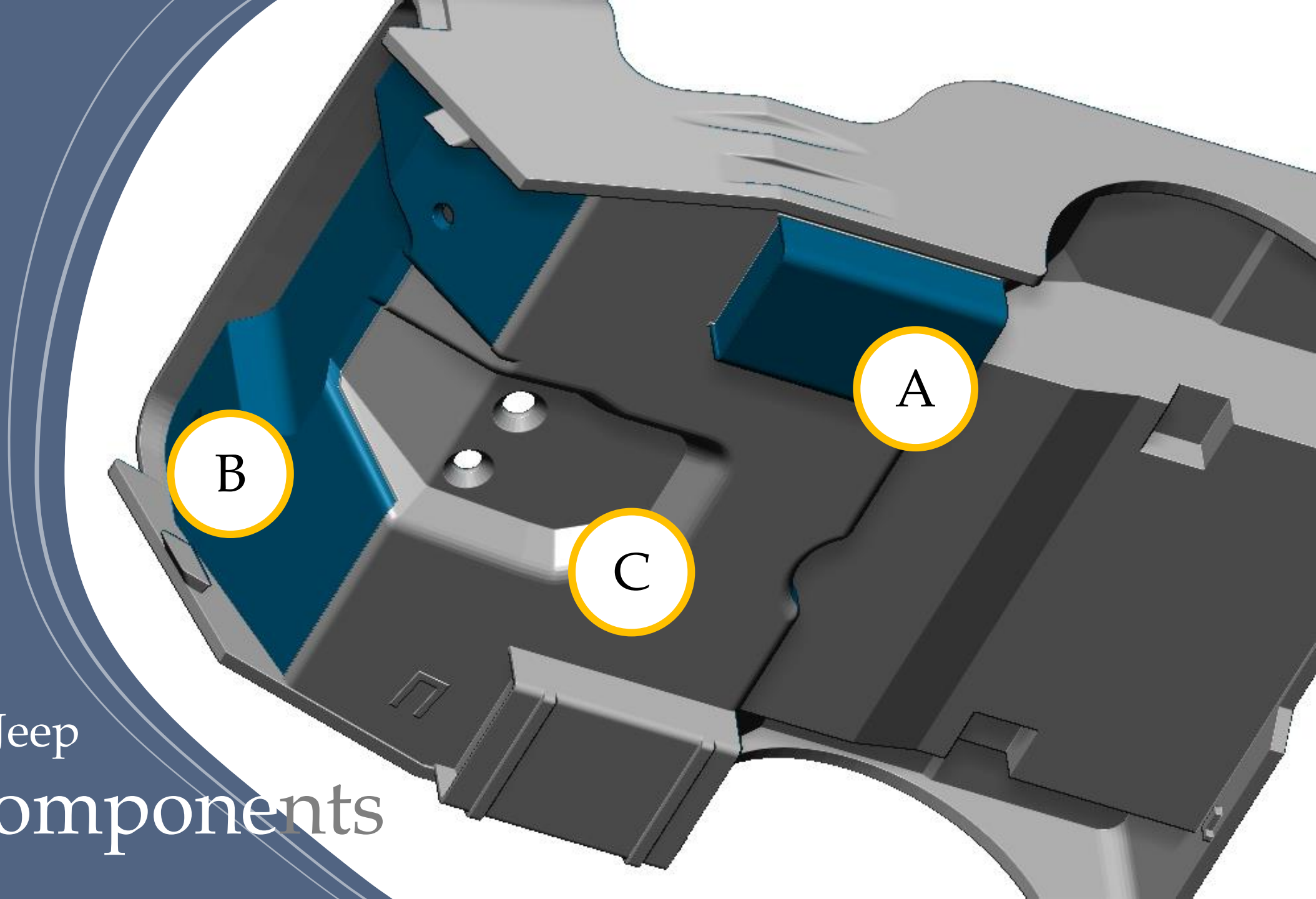


- 2 - Grinding and sanding ...*
- modelling grinding wool*
  - modelling sponge*
  - modelling file*

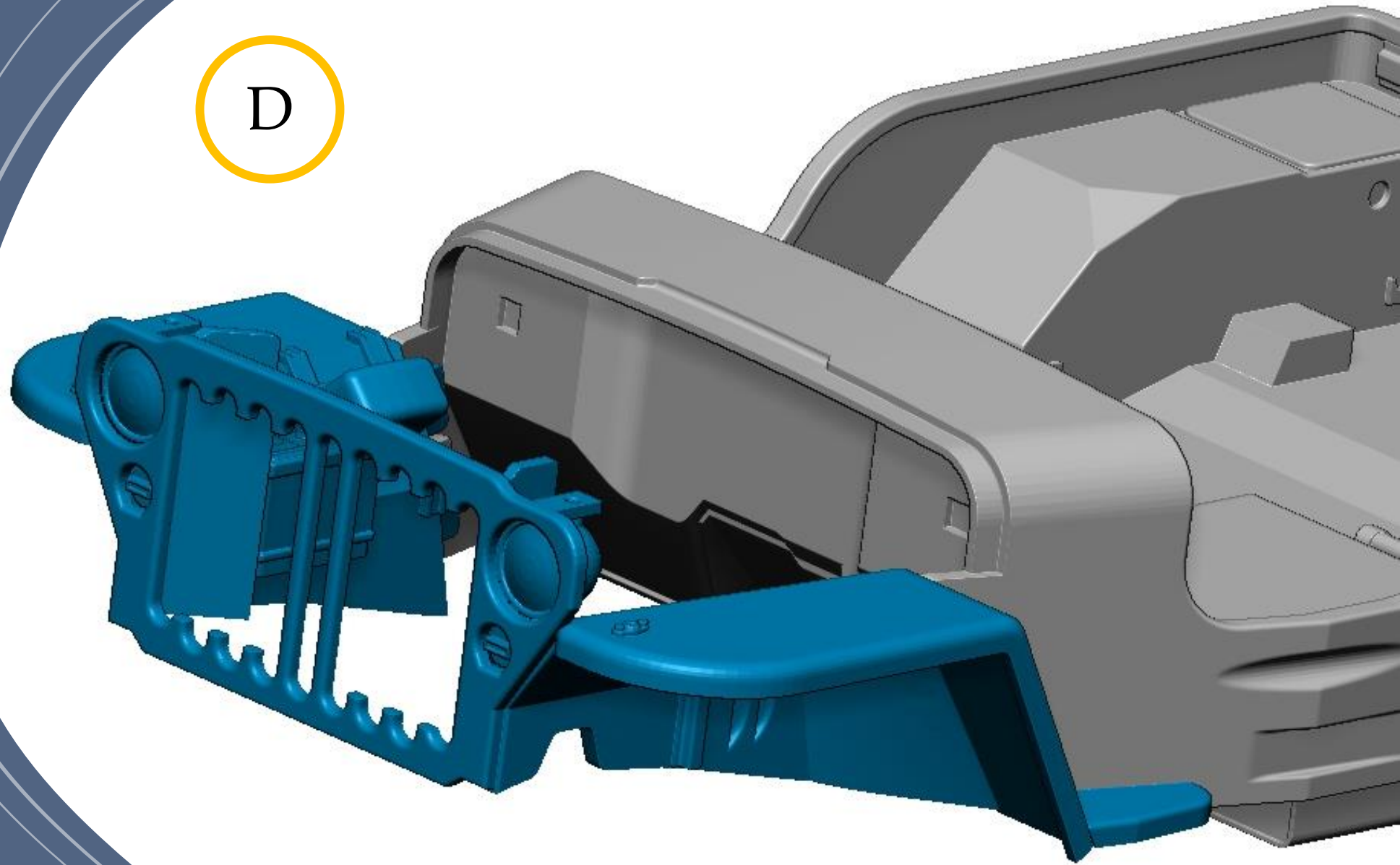


THE BUILD

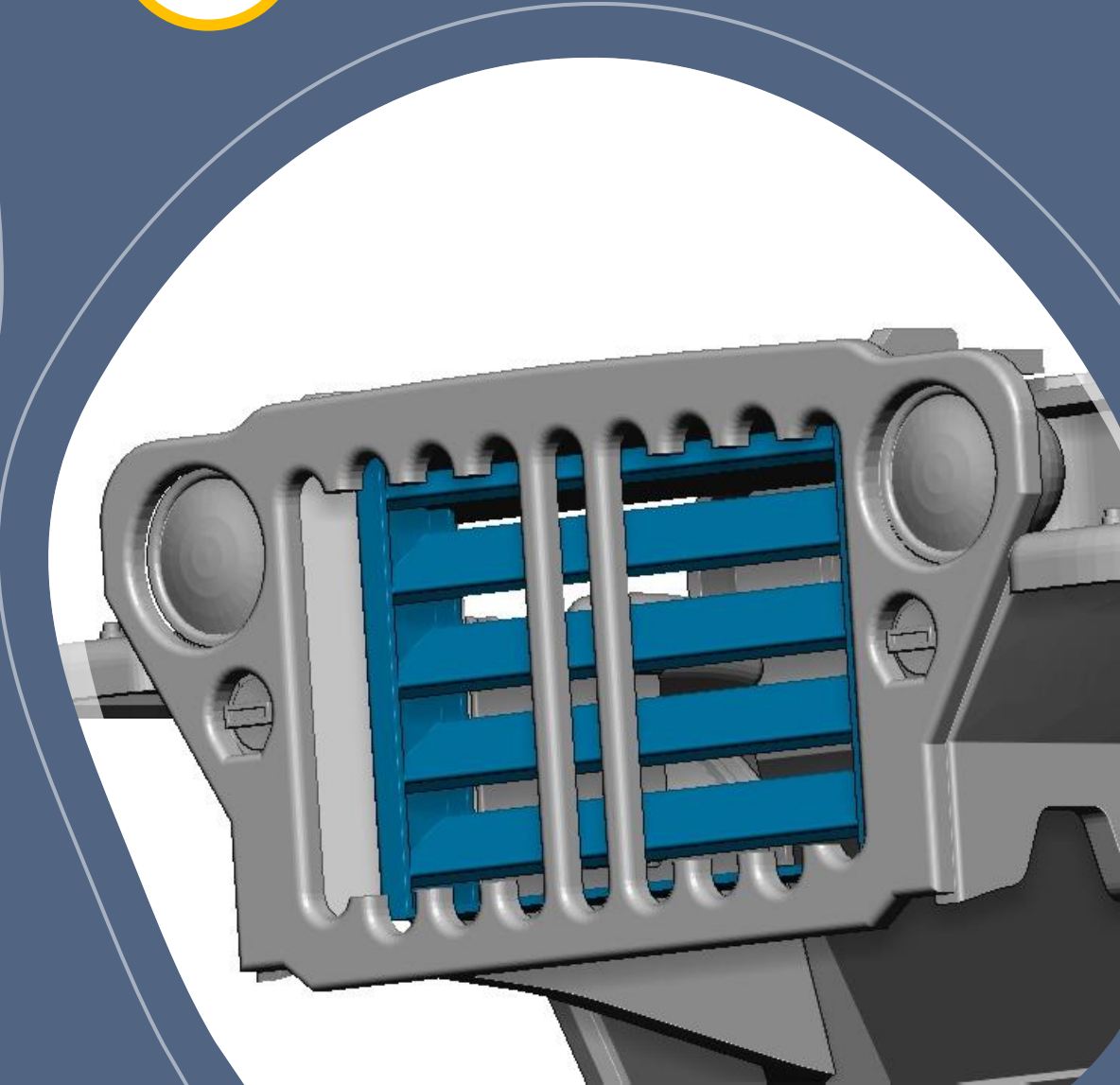
British SAS Jeep  
Body components

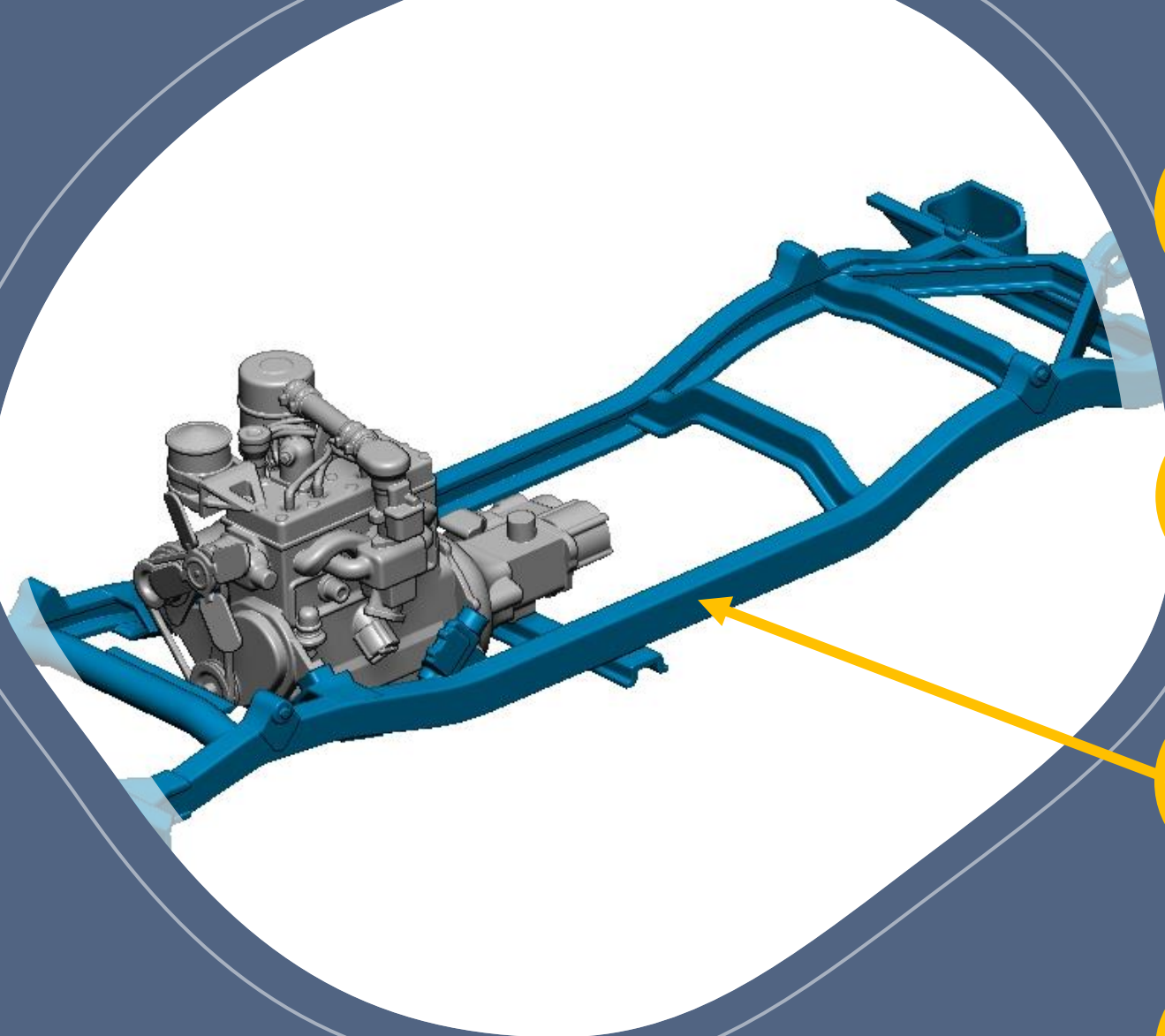


D



E



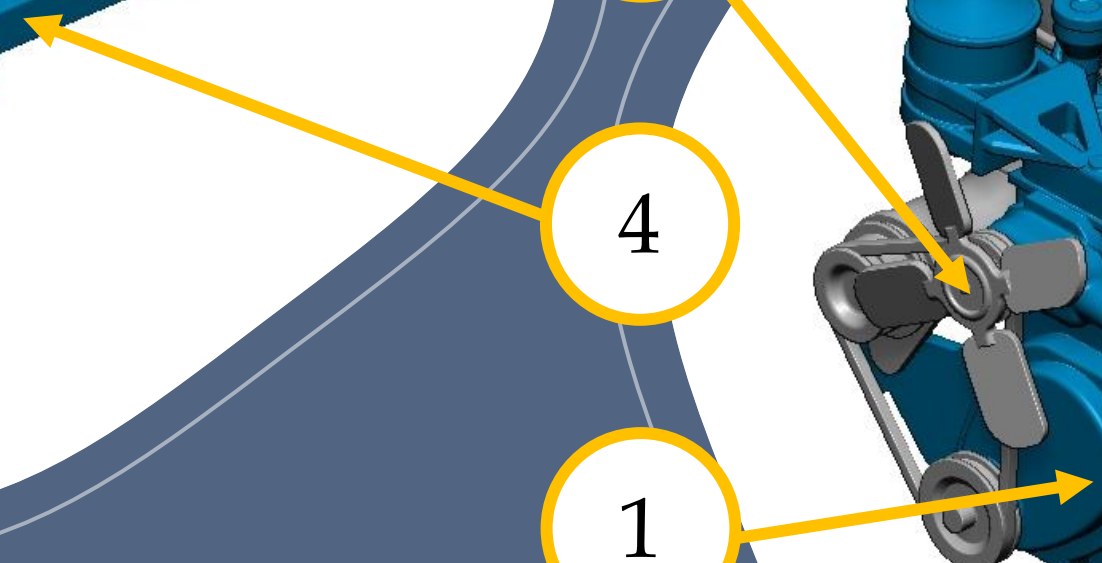
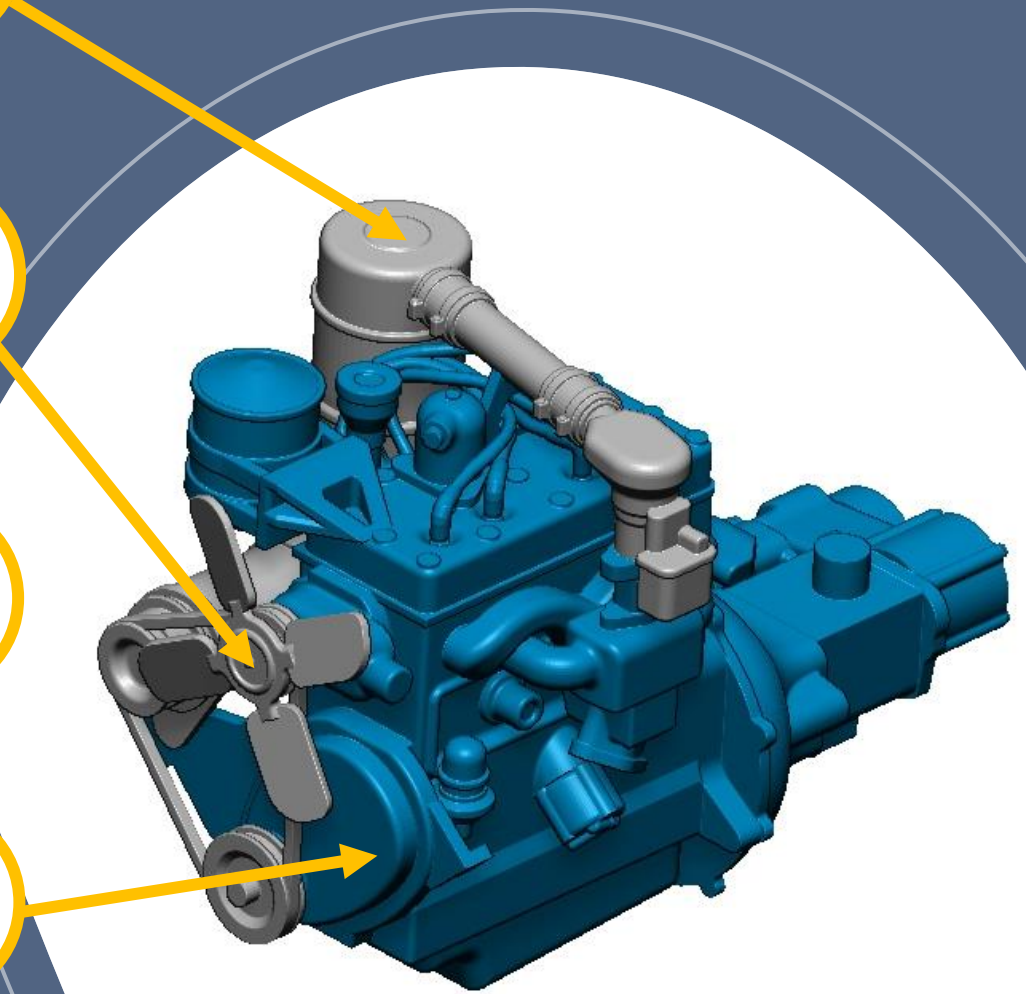


2

3

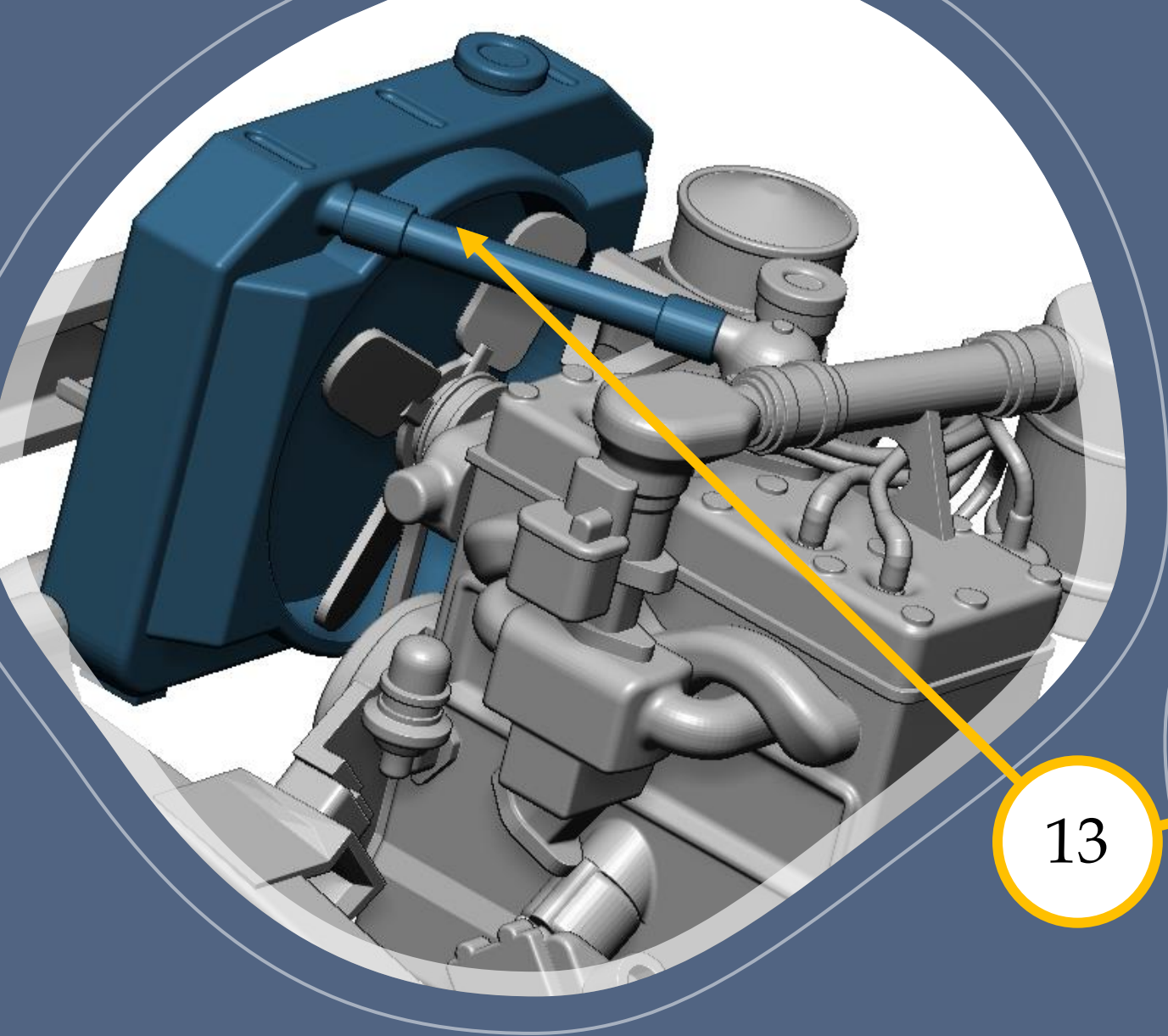
4

1

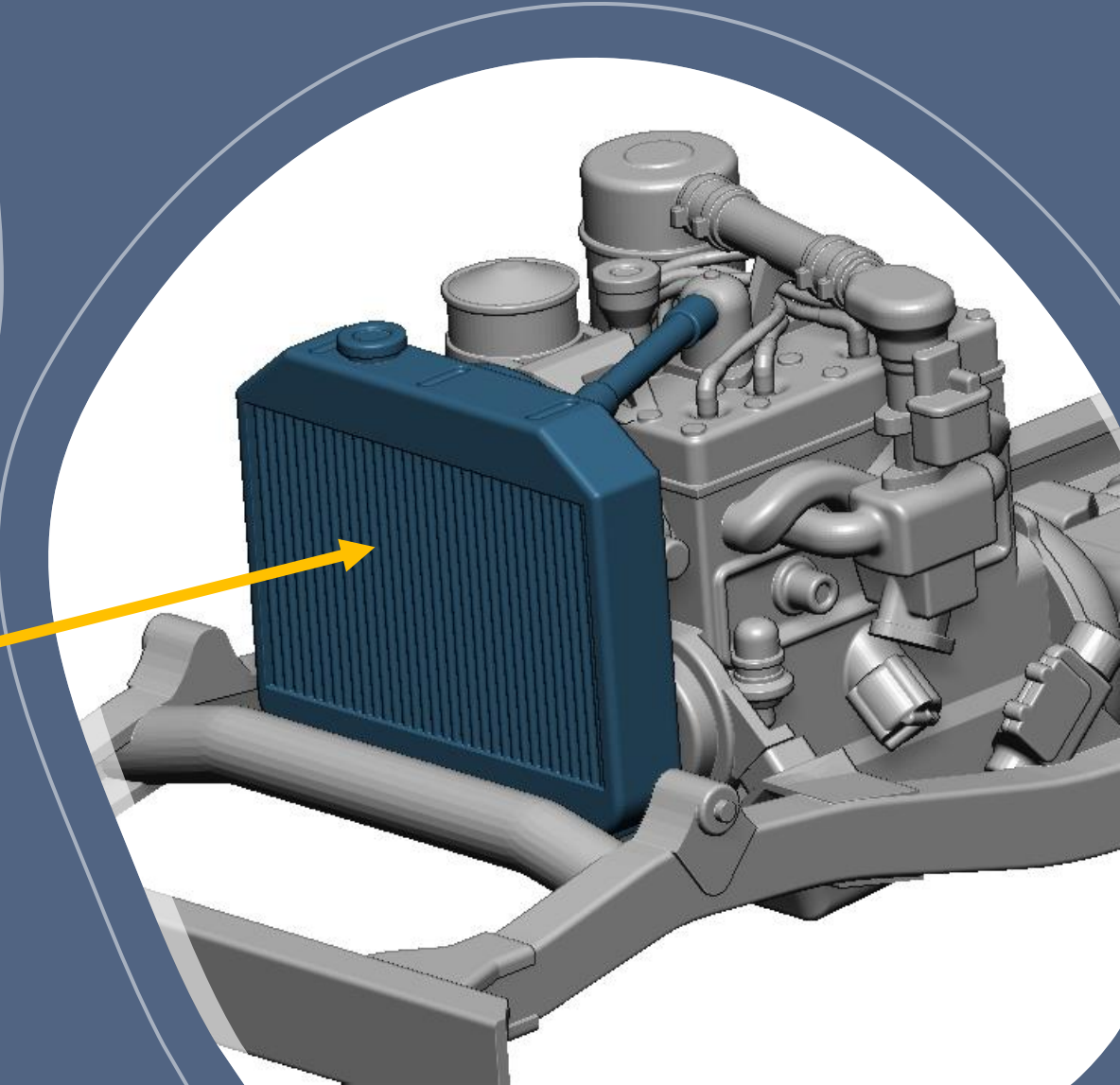




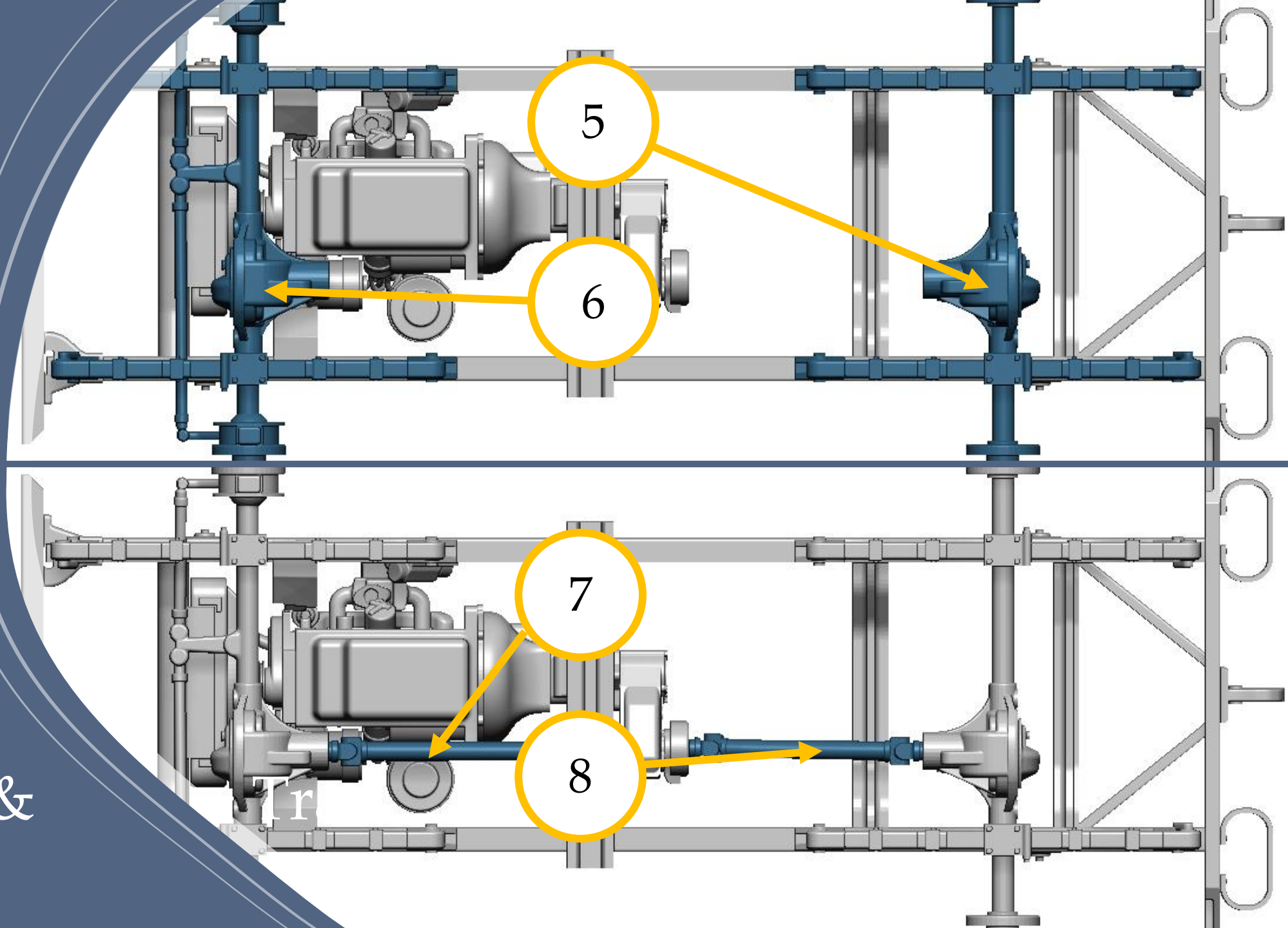
# 48A12 & 48A14 Radiator



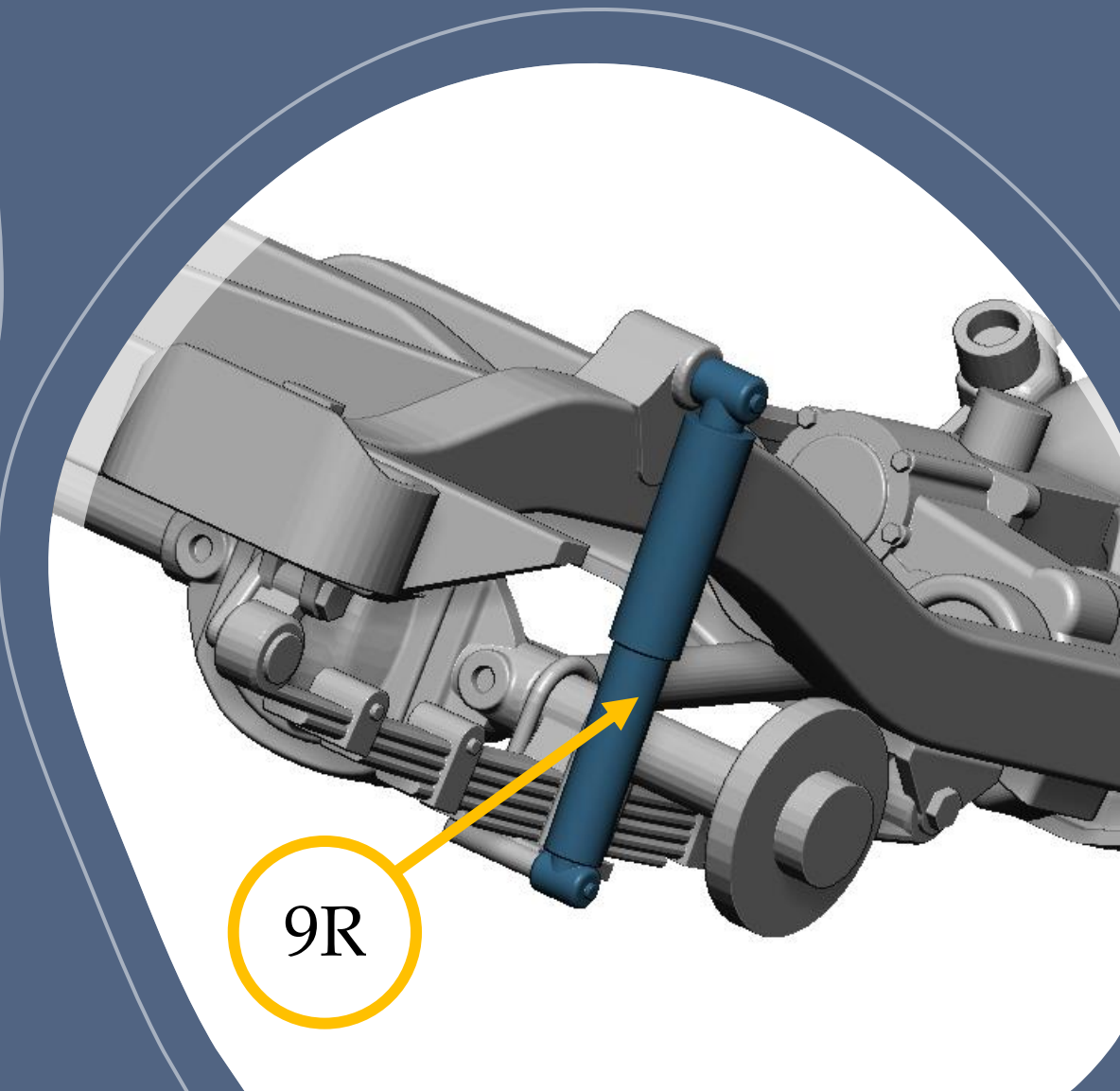
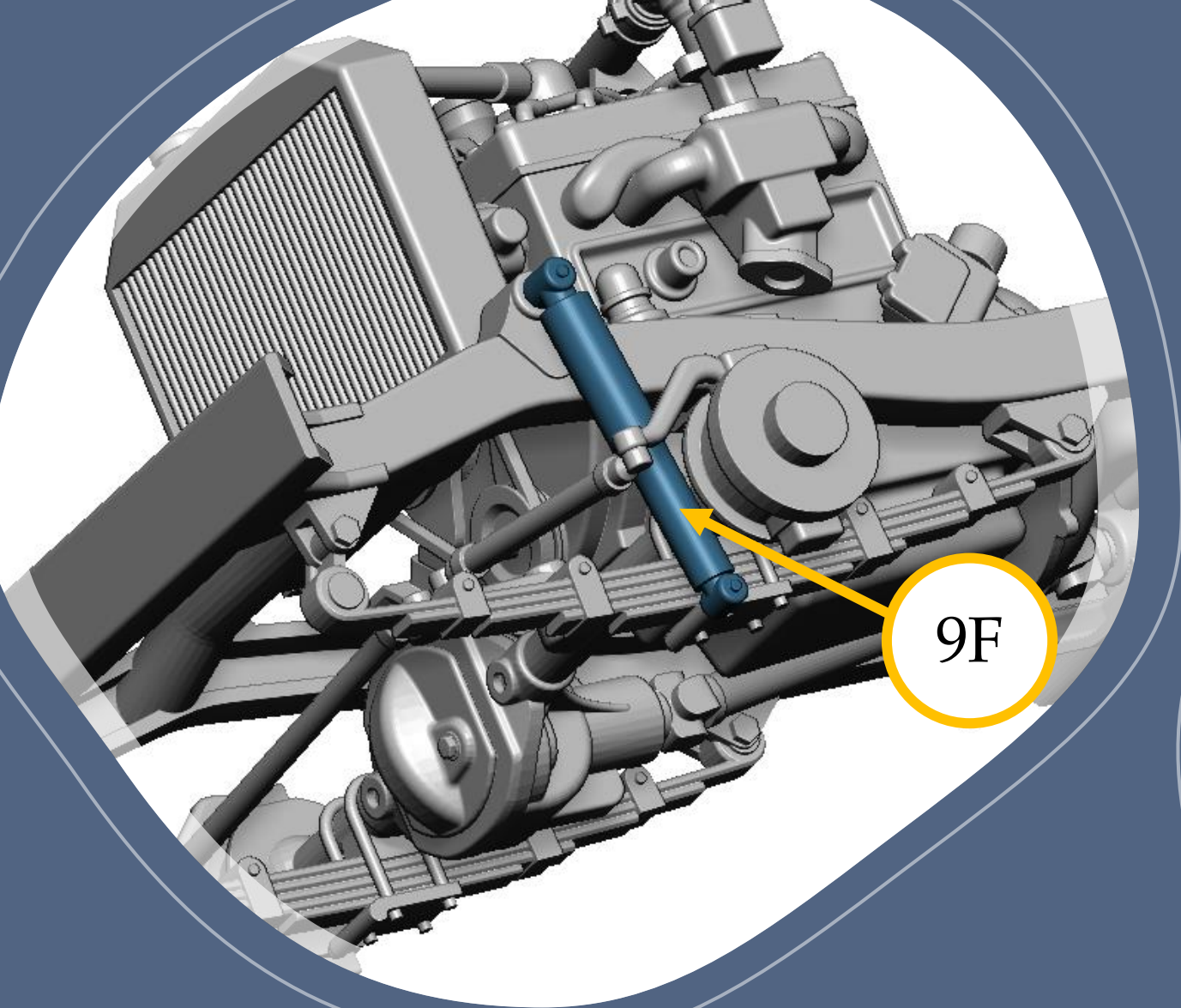
13

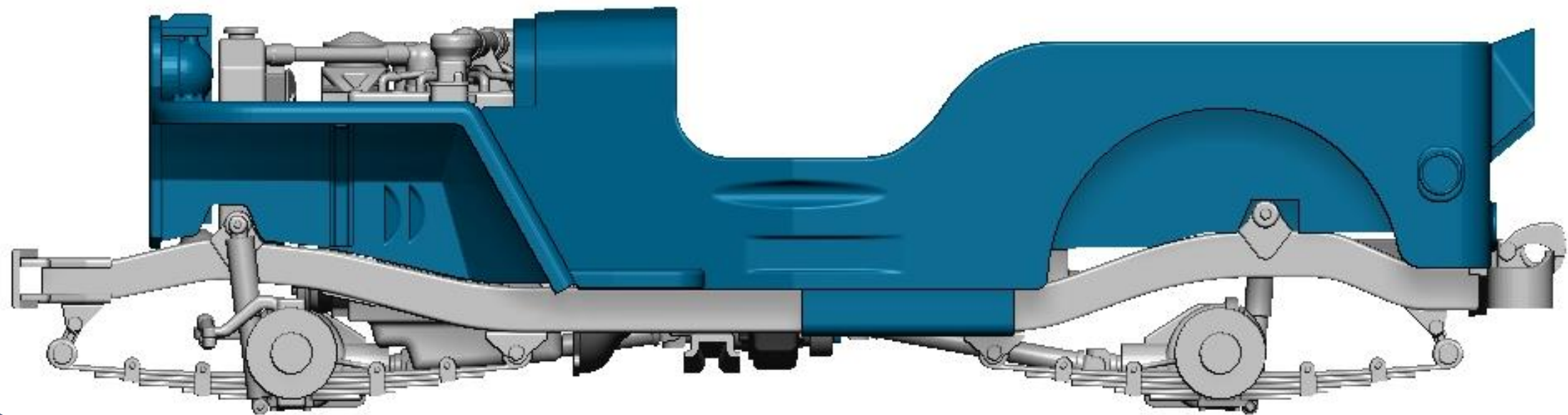


48A12 & 48A14  
Suspension &  
mission



# 48A12 & 48A14 Shock absorbers

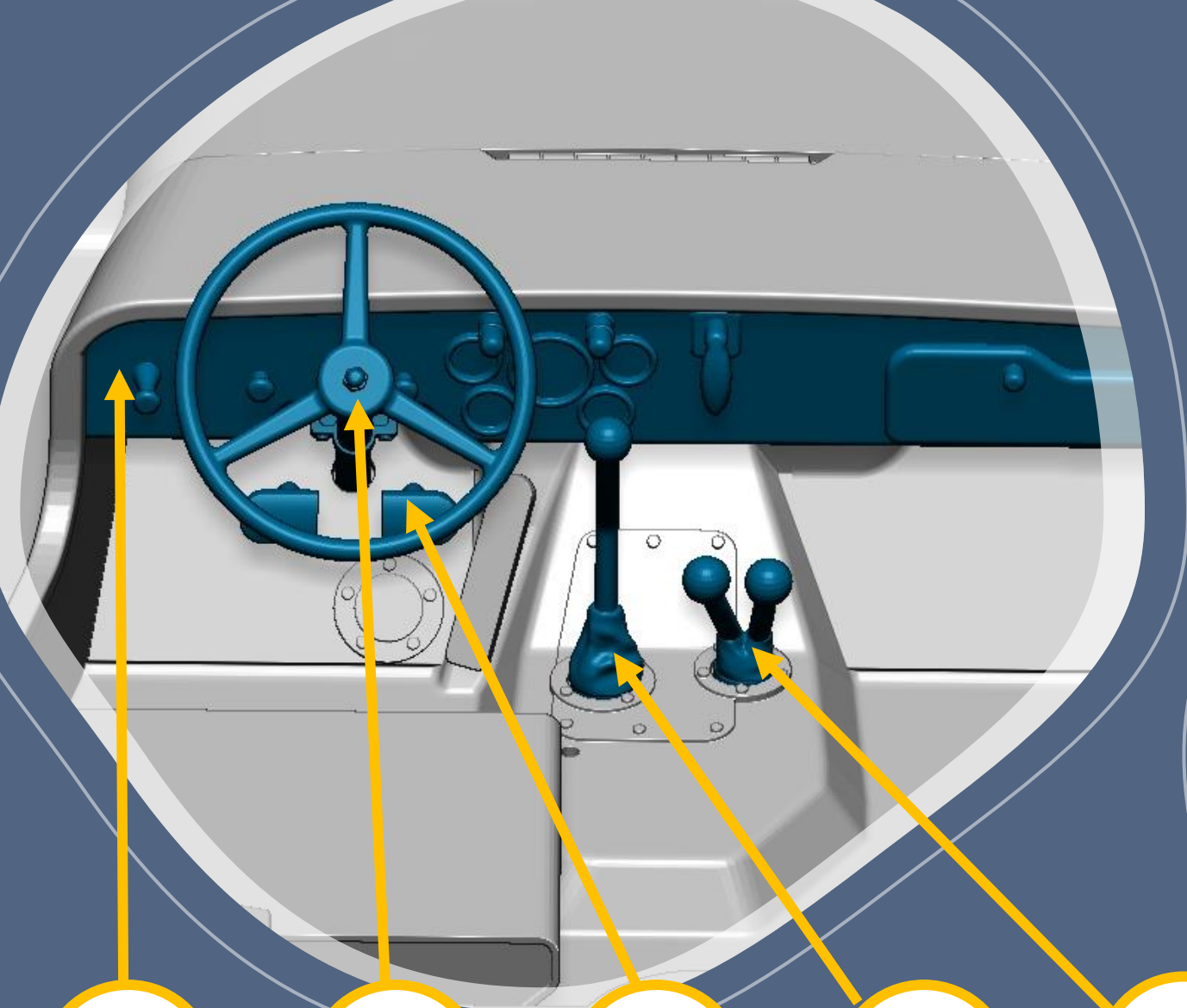






11

This image shows a 3D CAD model of a complex mechanical assembly, likely a part of a vehicle's drivetrain or suspension system. The model is rendered in a light gray color, with a specific component highlighted in a vibrant blue. This blue component is a long, cylindrical shaft or tube that runs diagonally across the assembly. A yellow circle with the number '11' is superimposed over the blue component, indicating its identification. The assembly includes various other parts such as joints, bearings, and structural frames, all shown in a detailed, technical perspective.



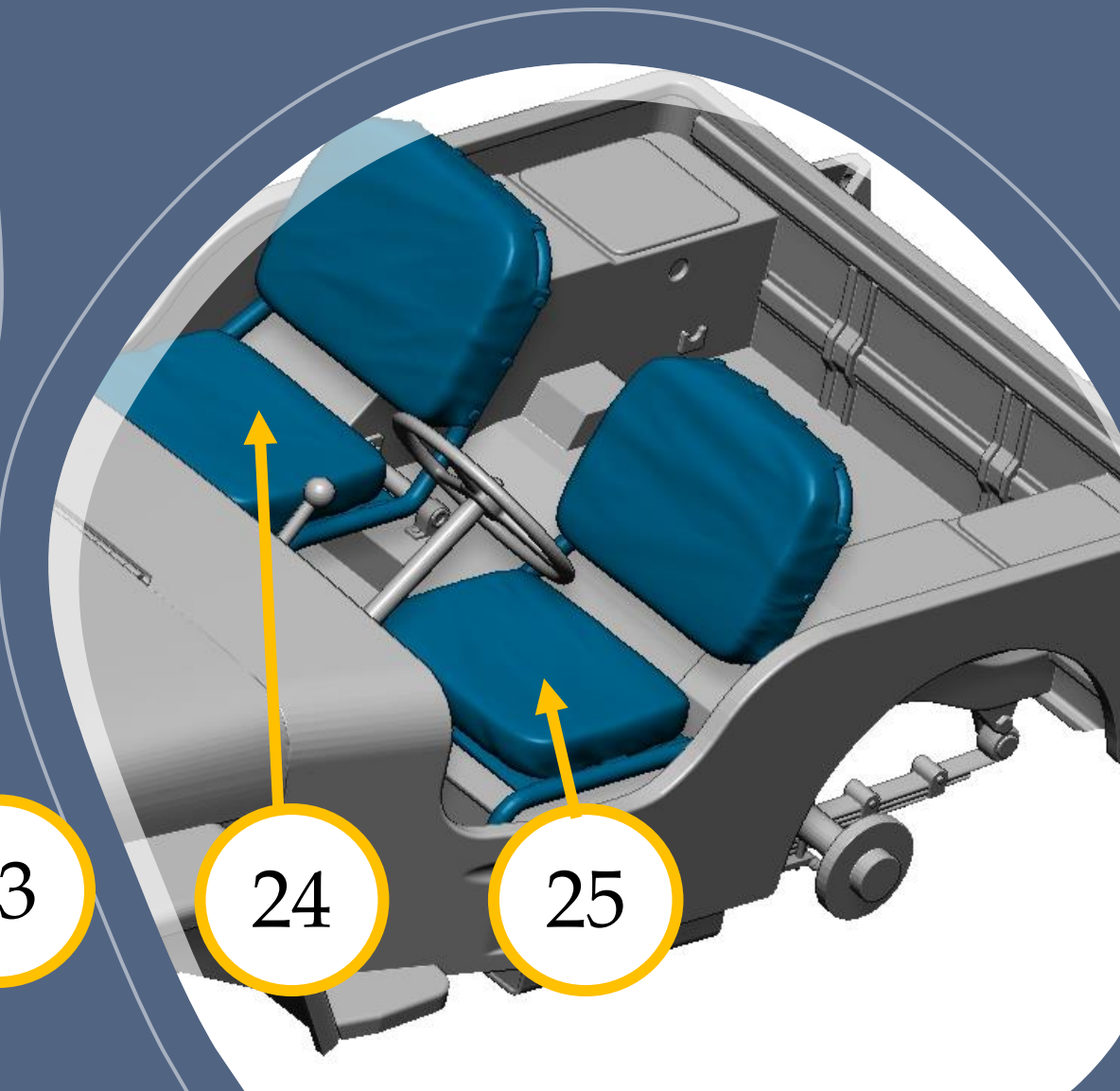
19

21

20

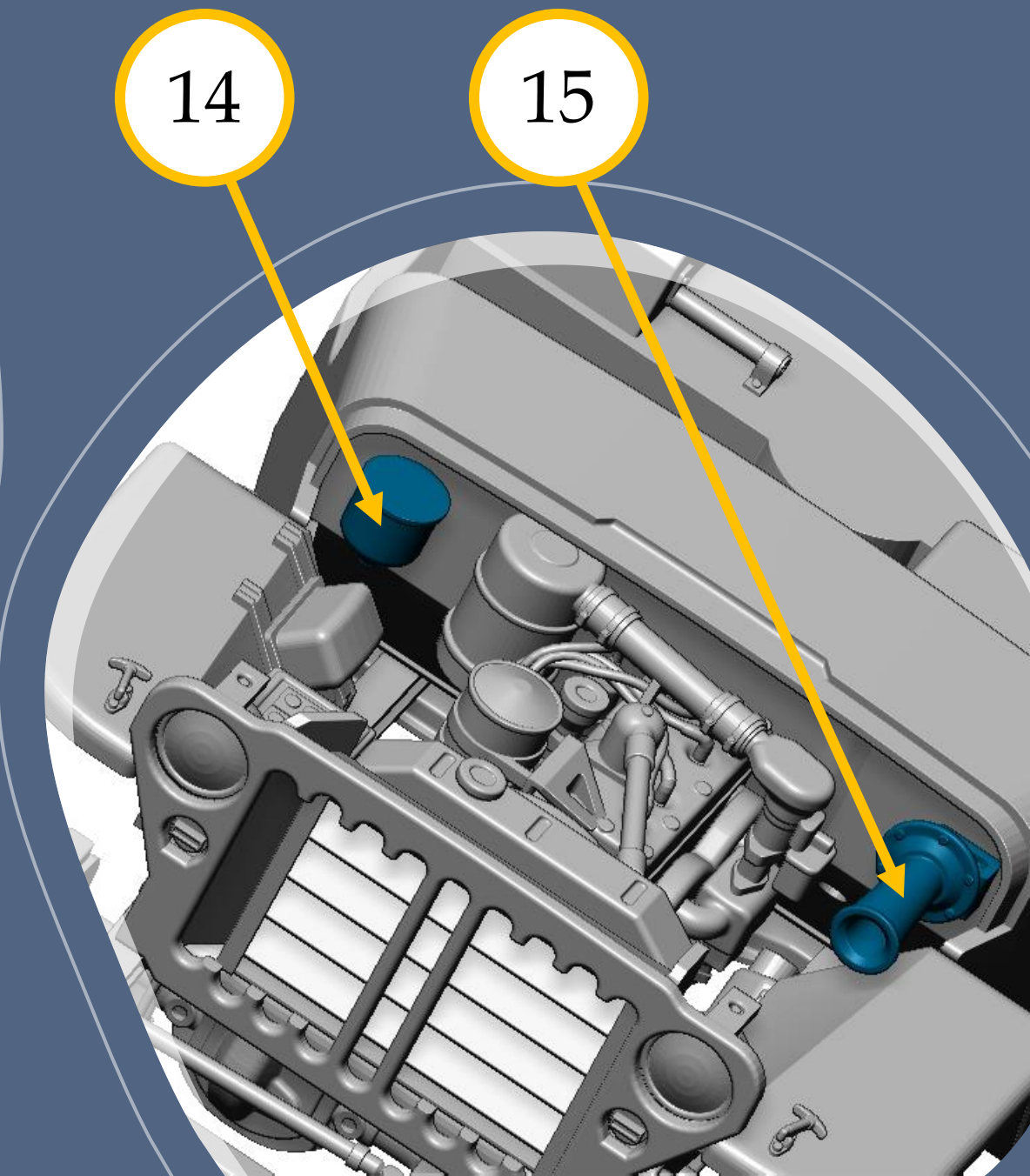
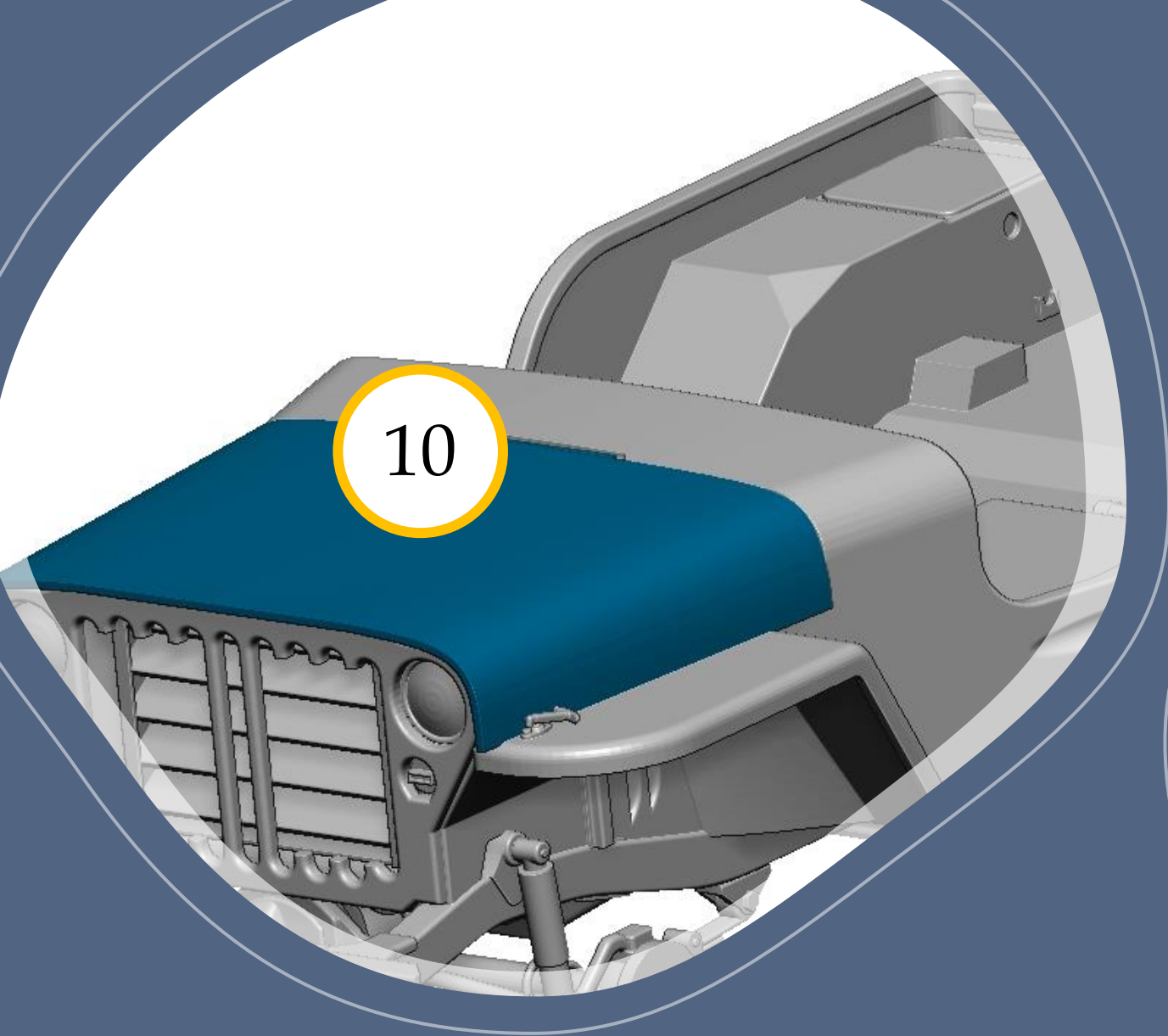
22

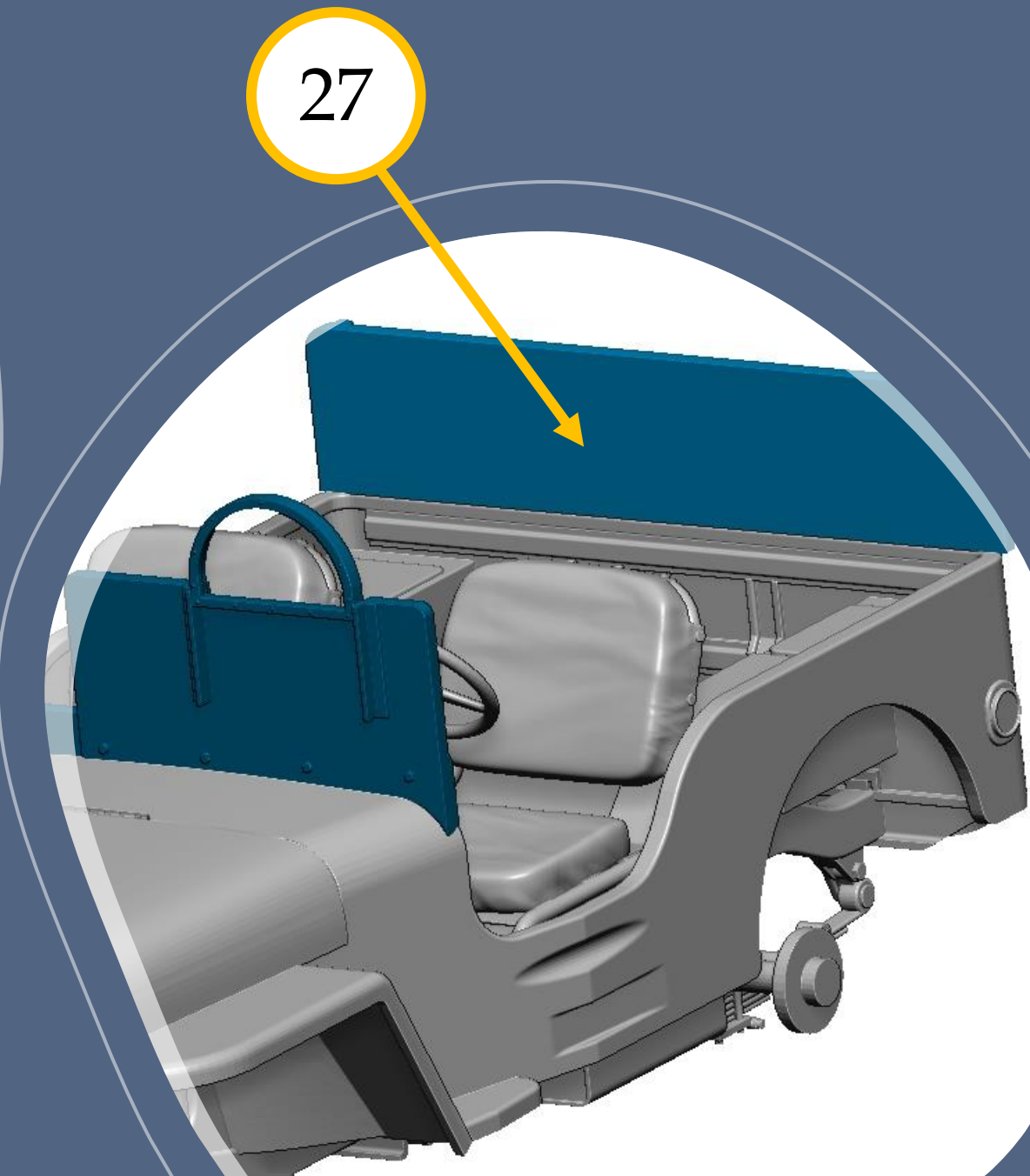
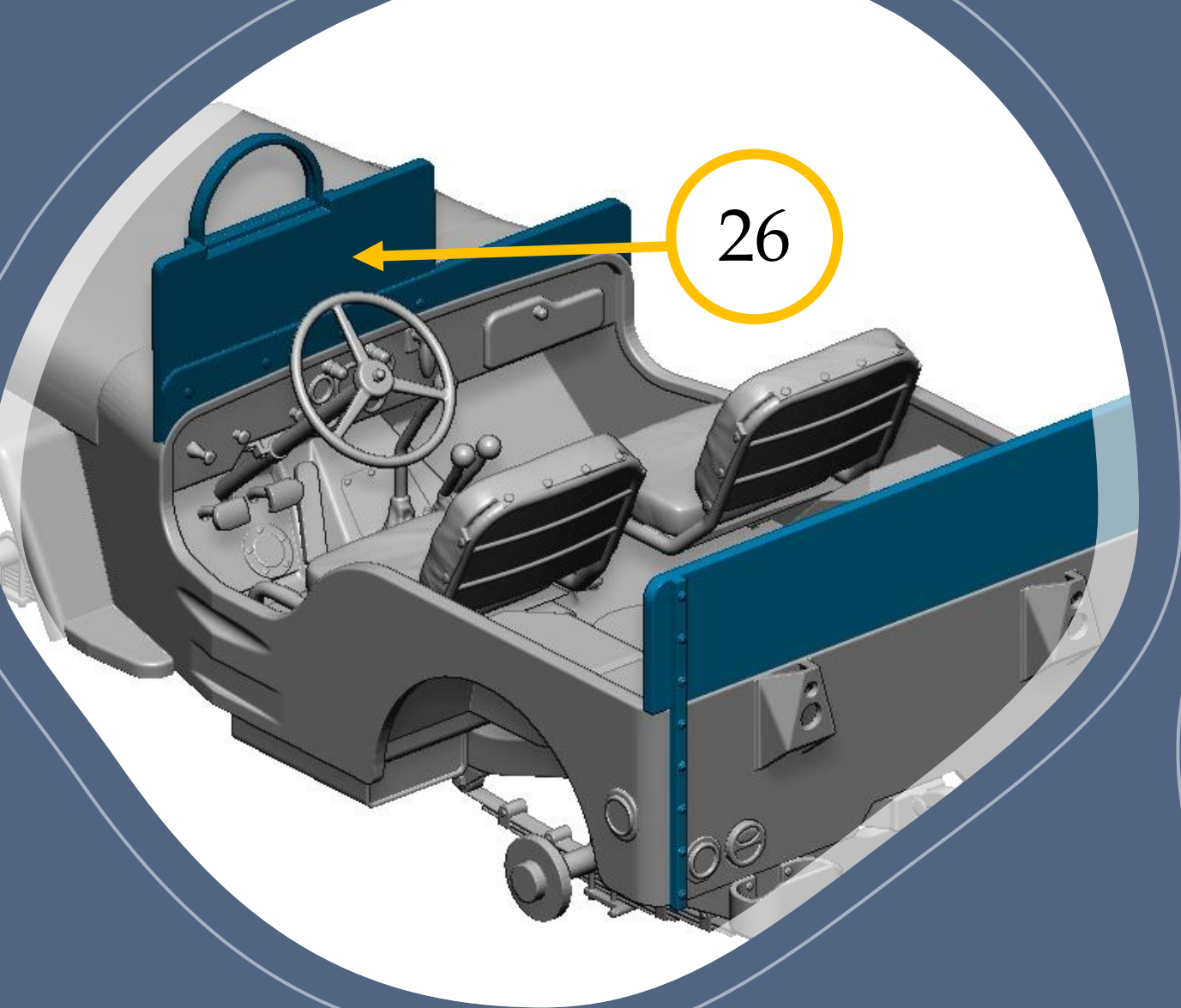
23



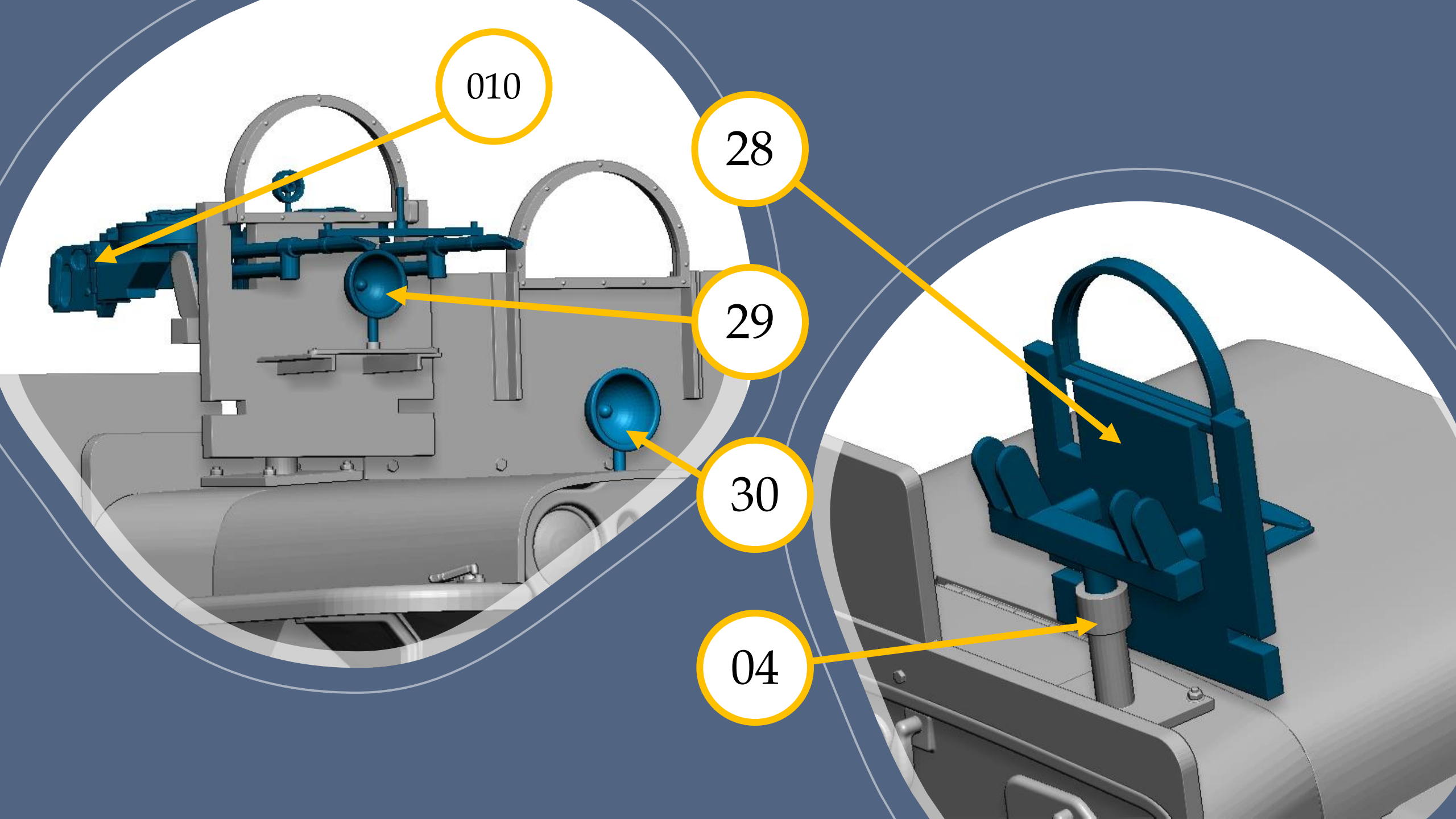
24

25









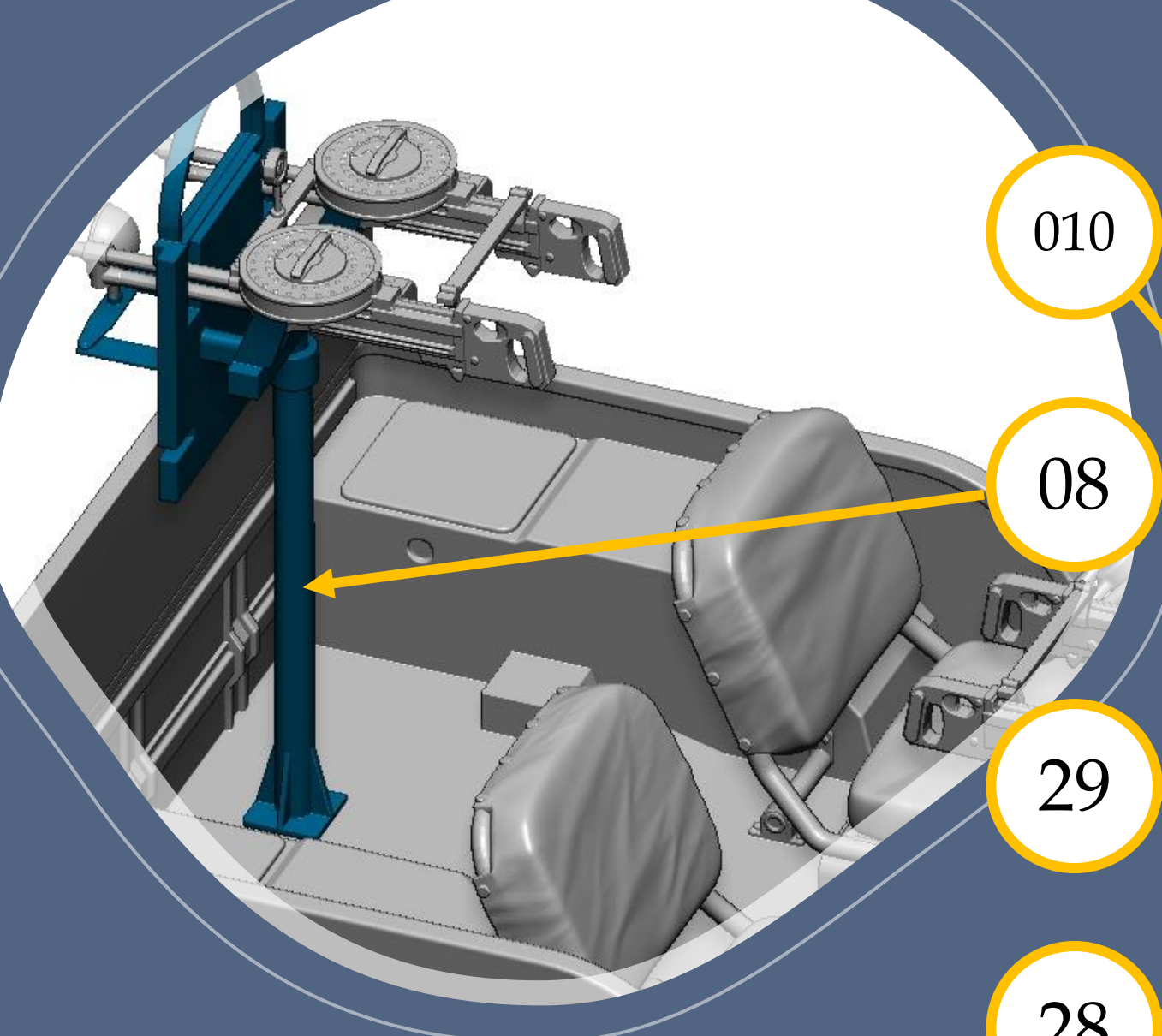
010

28

29

30

04

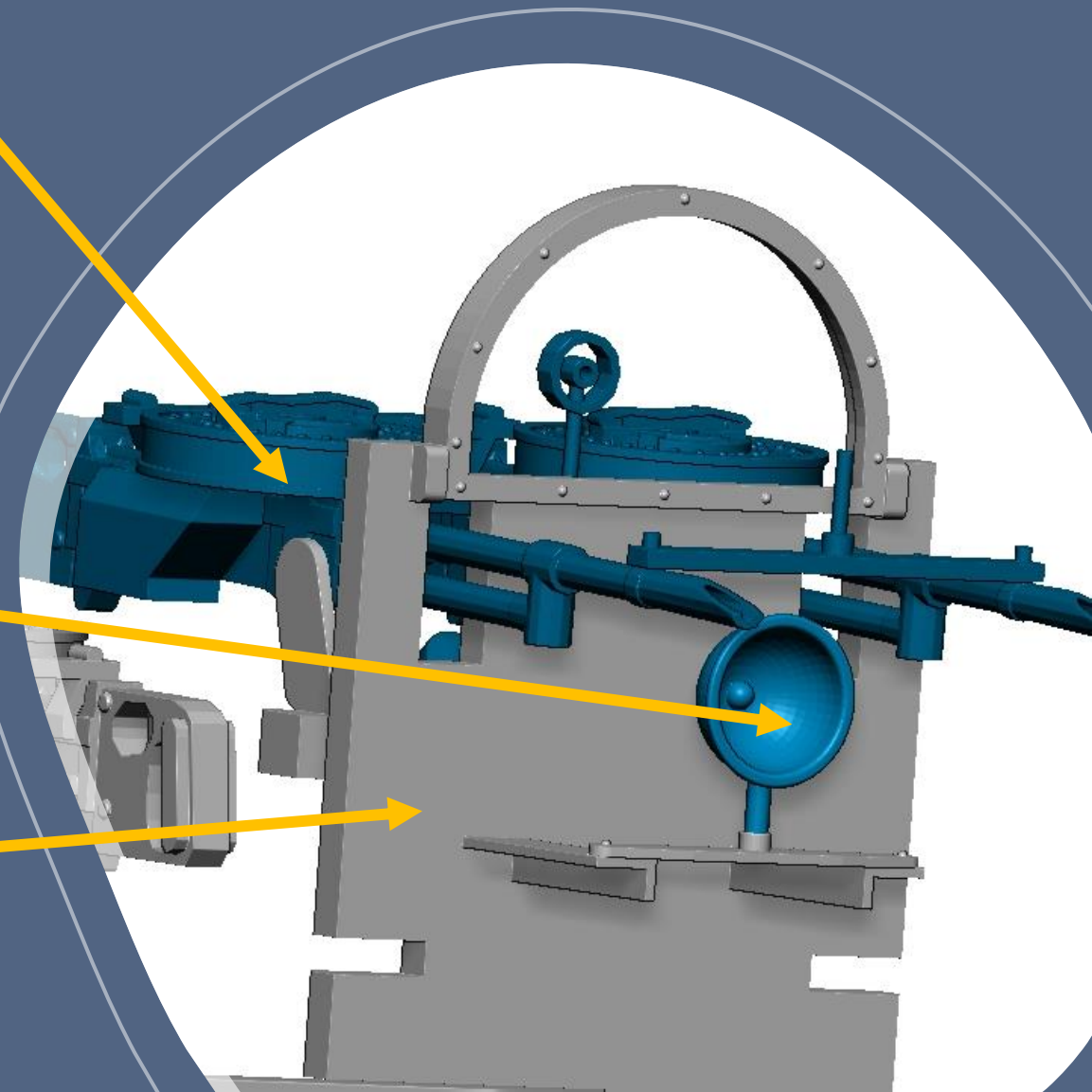


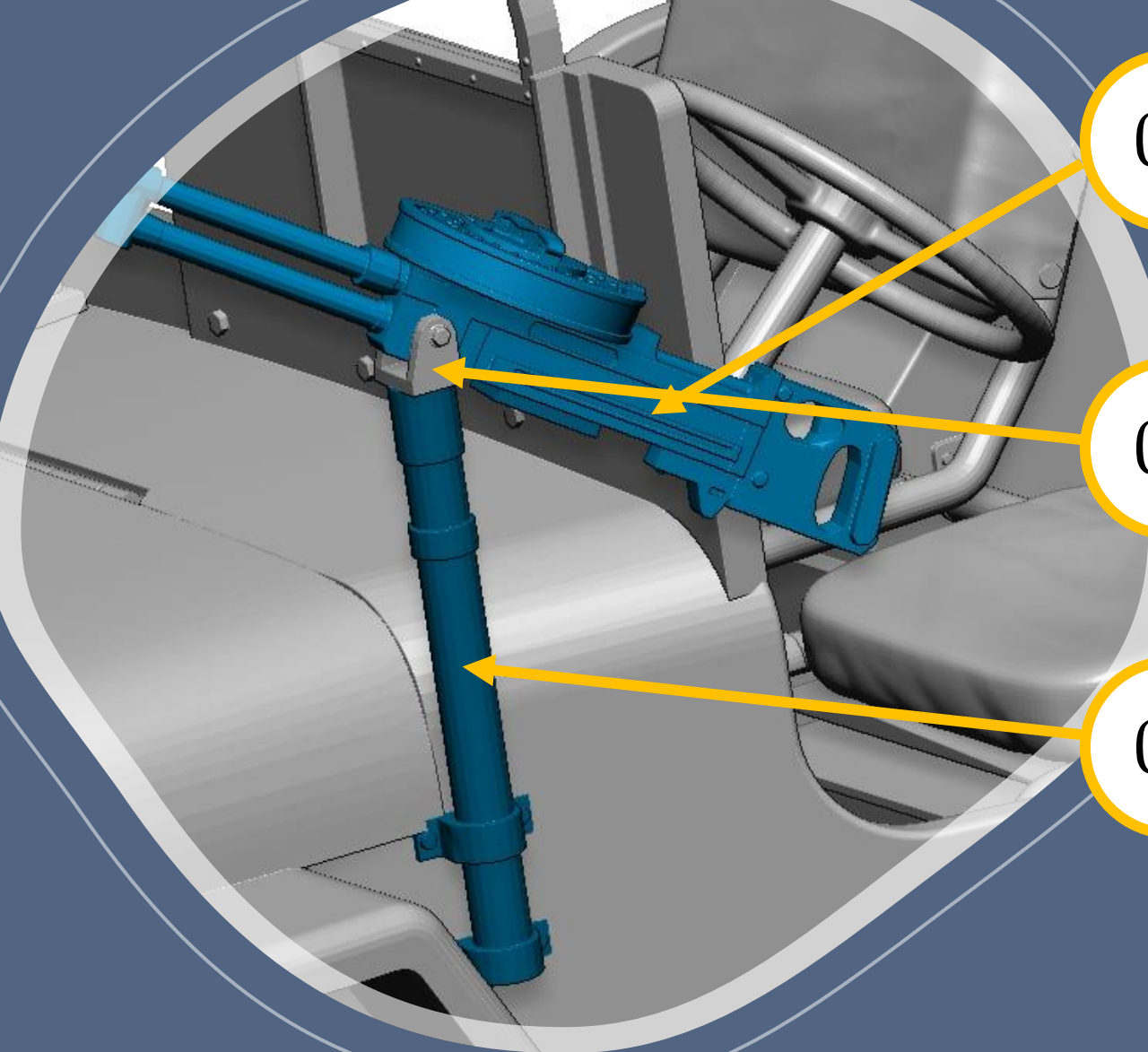
010

08

29

28

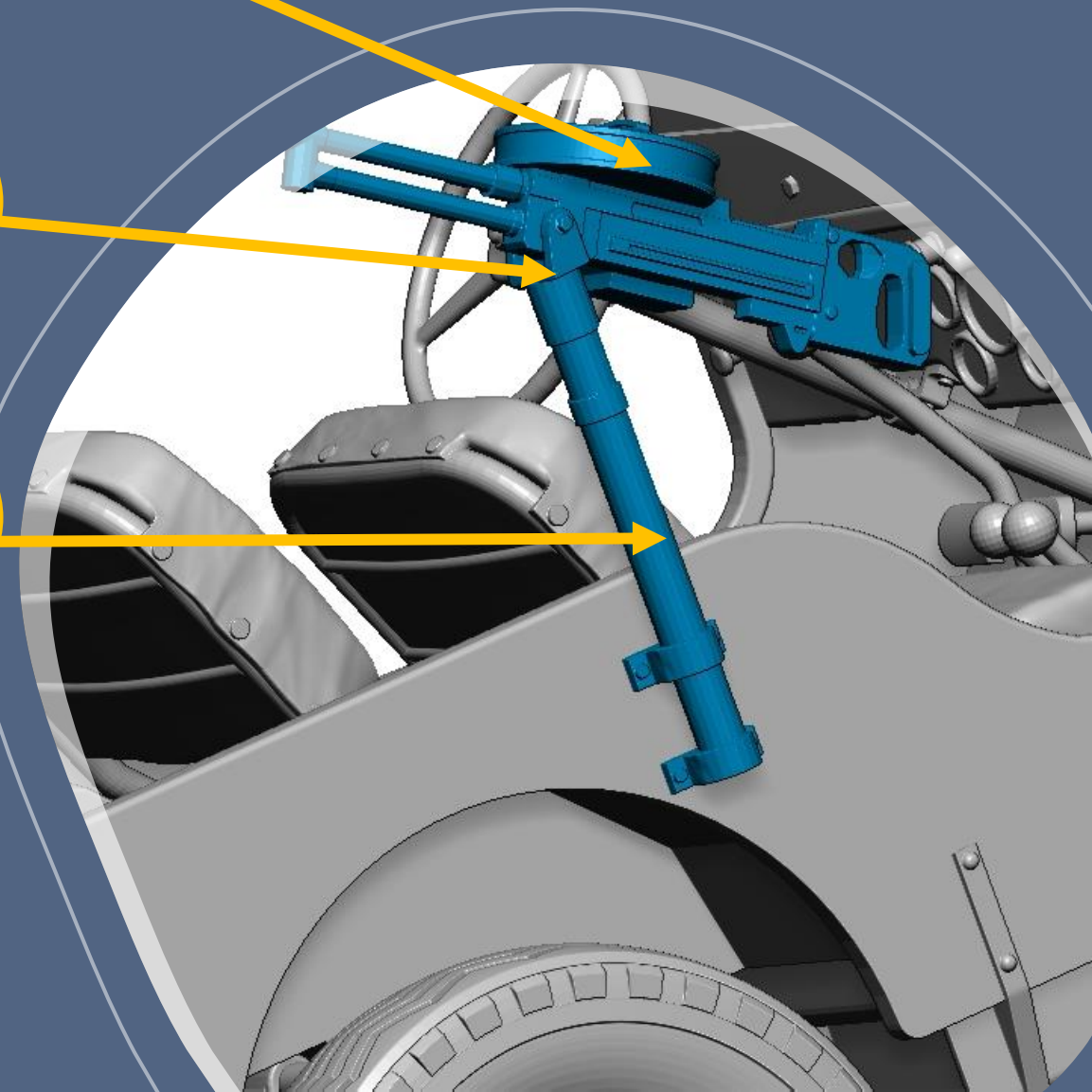


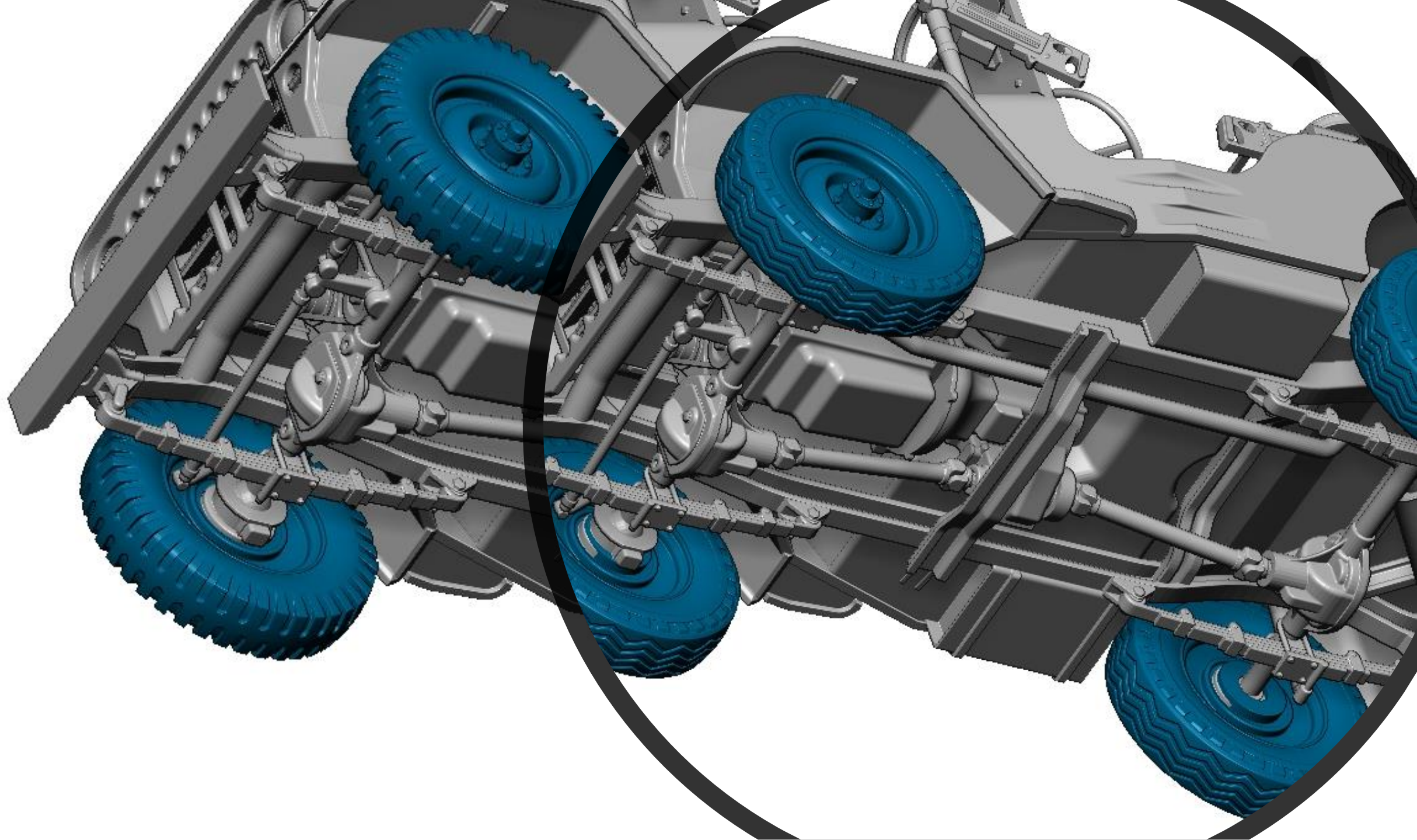


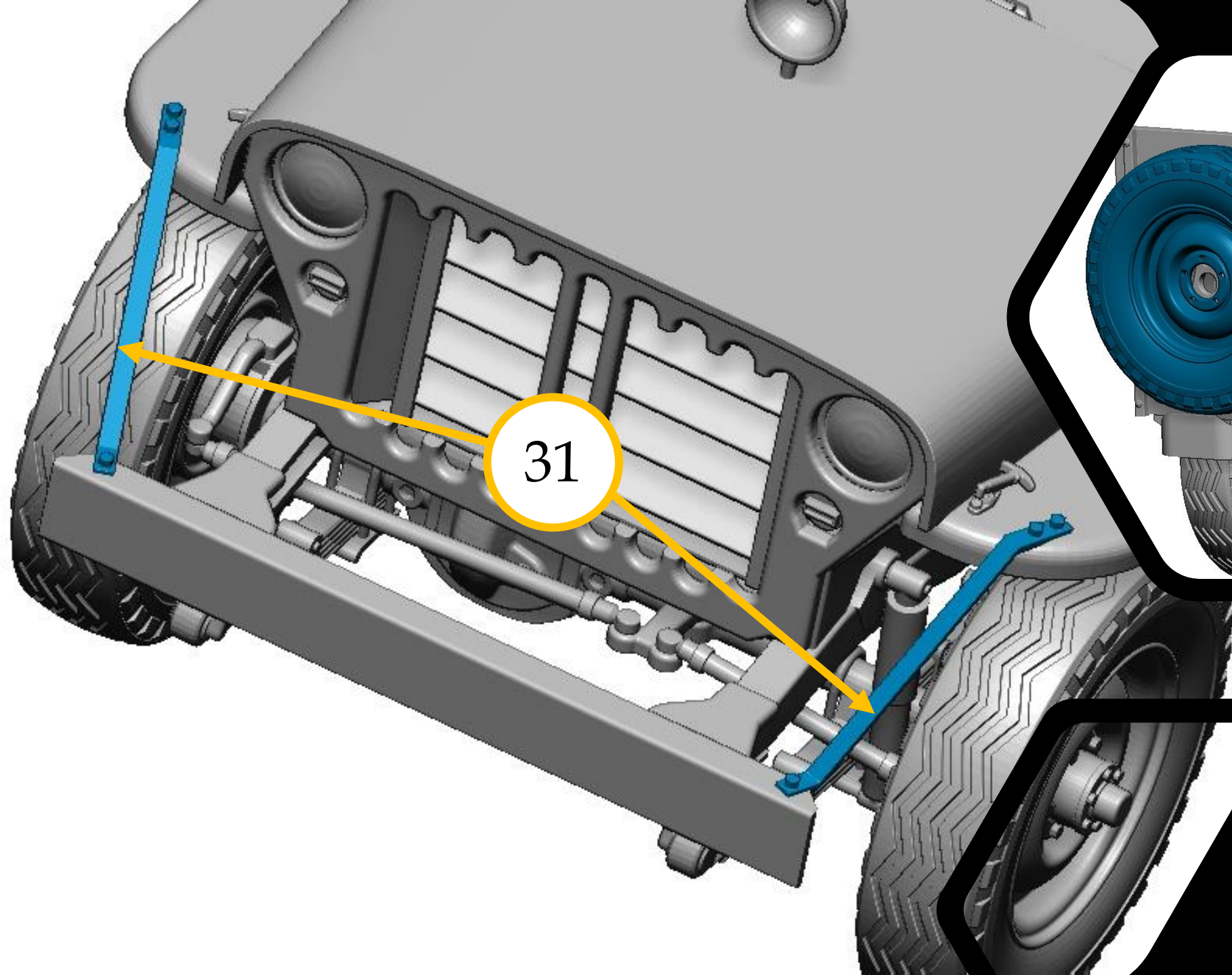
03

02

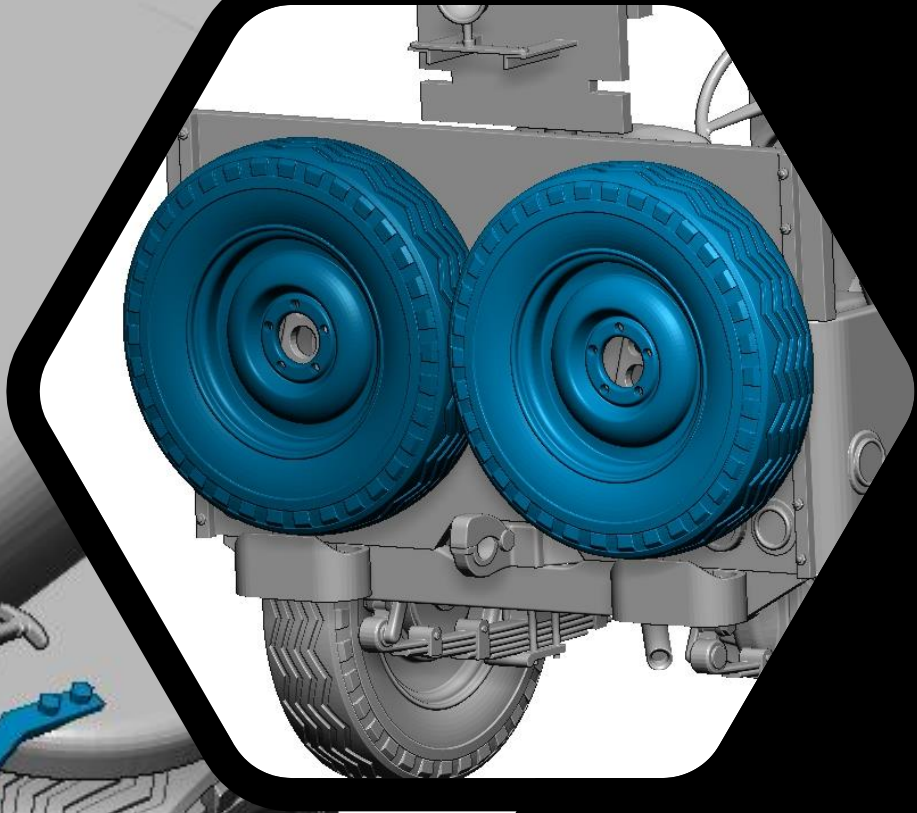
01



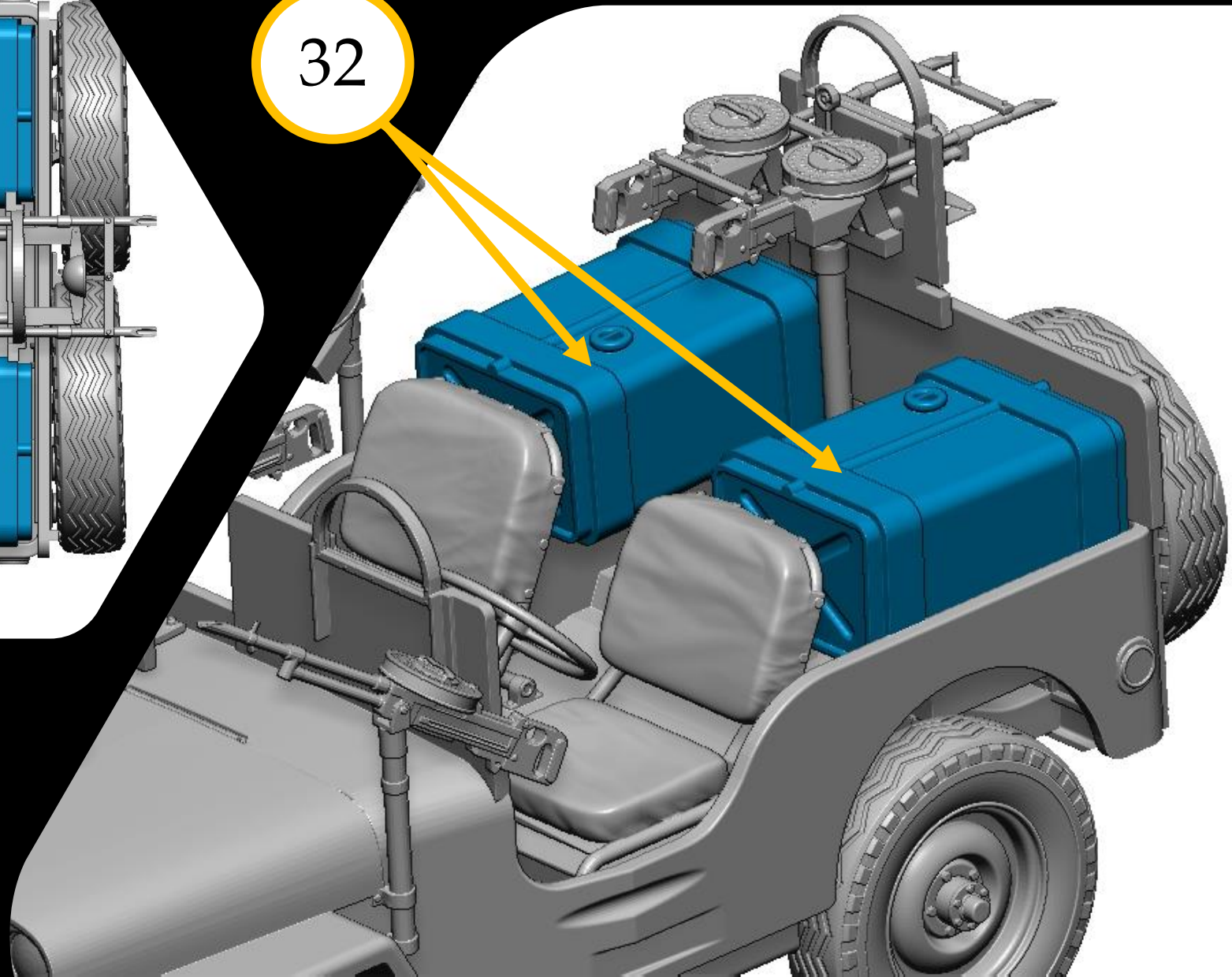
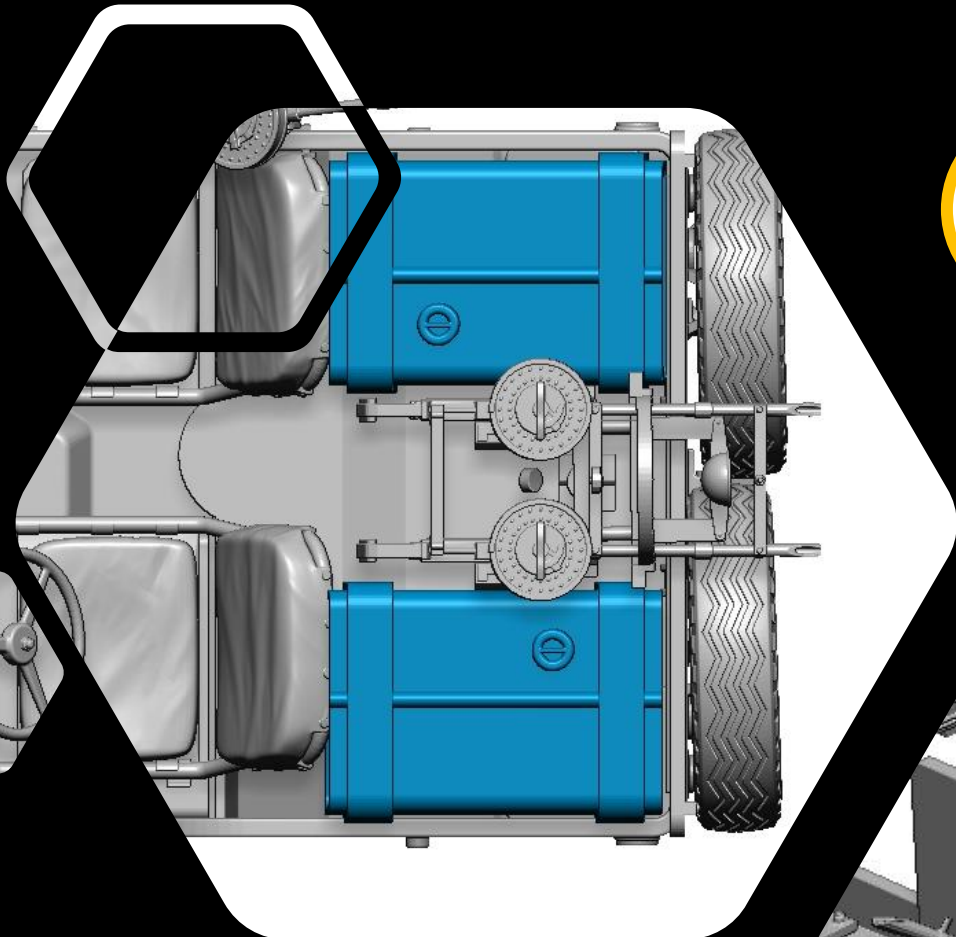


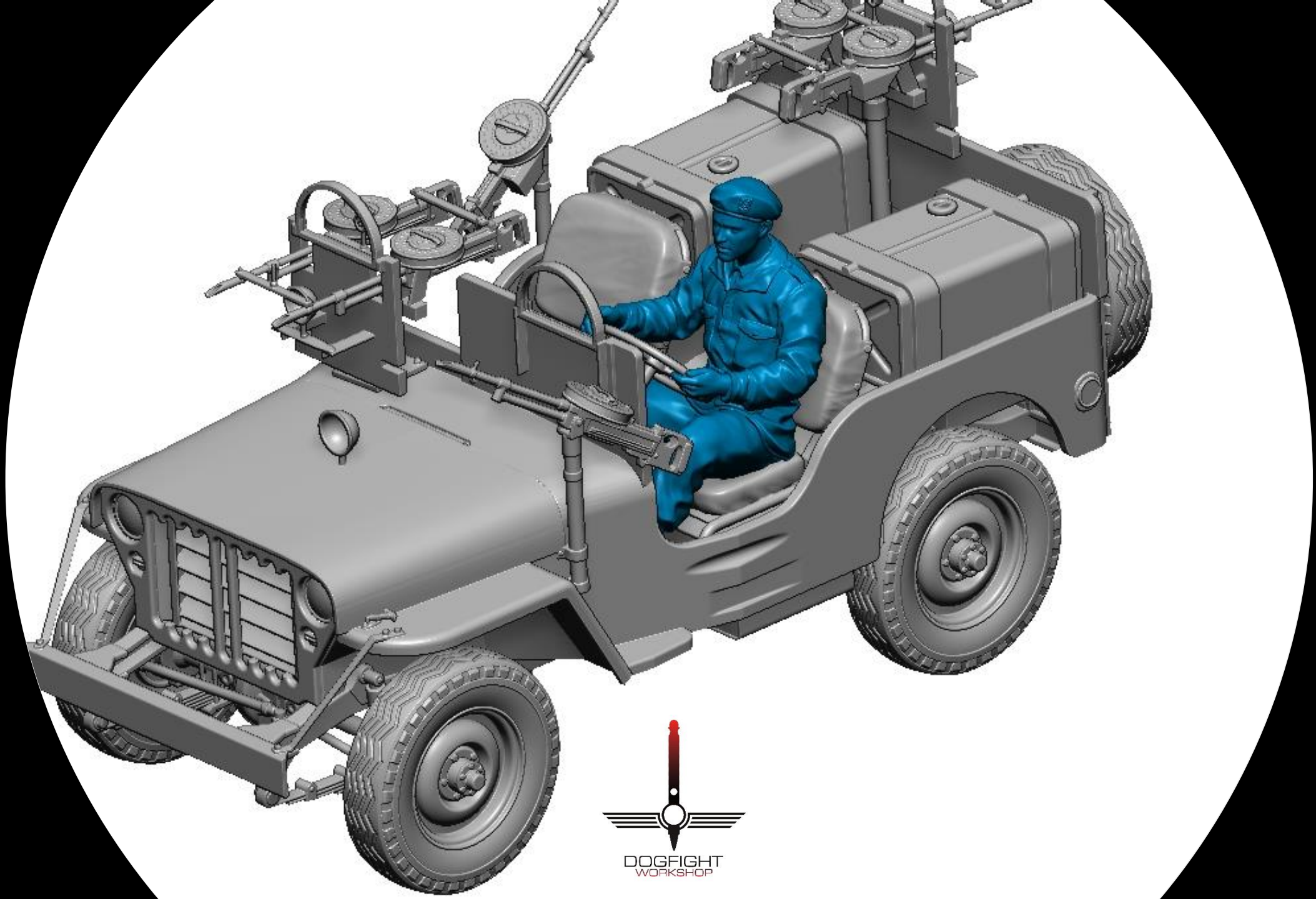


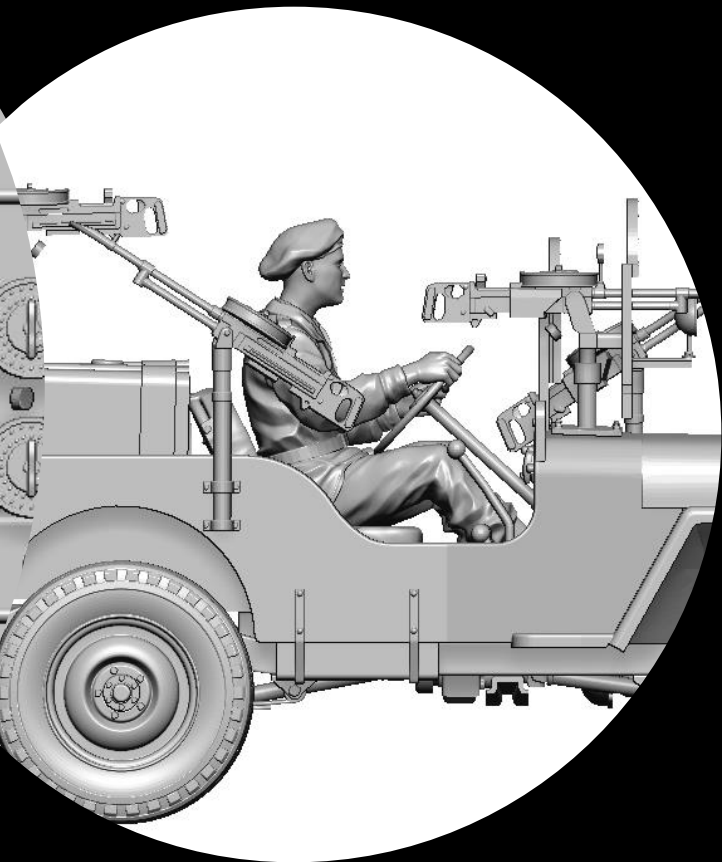
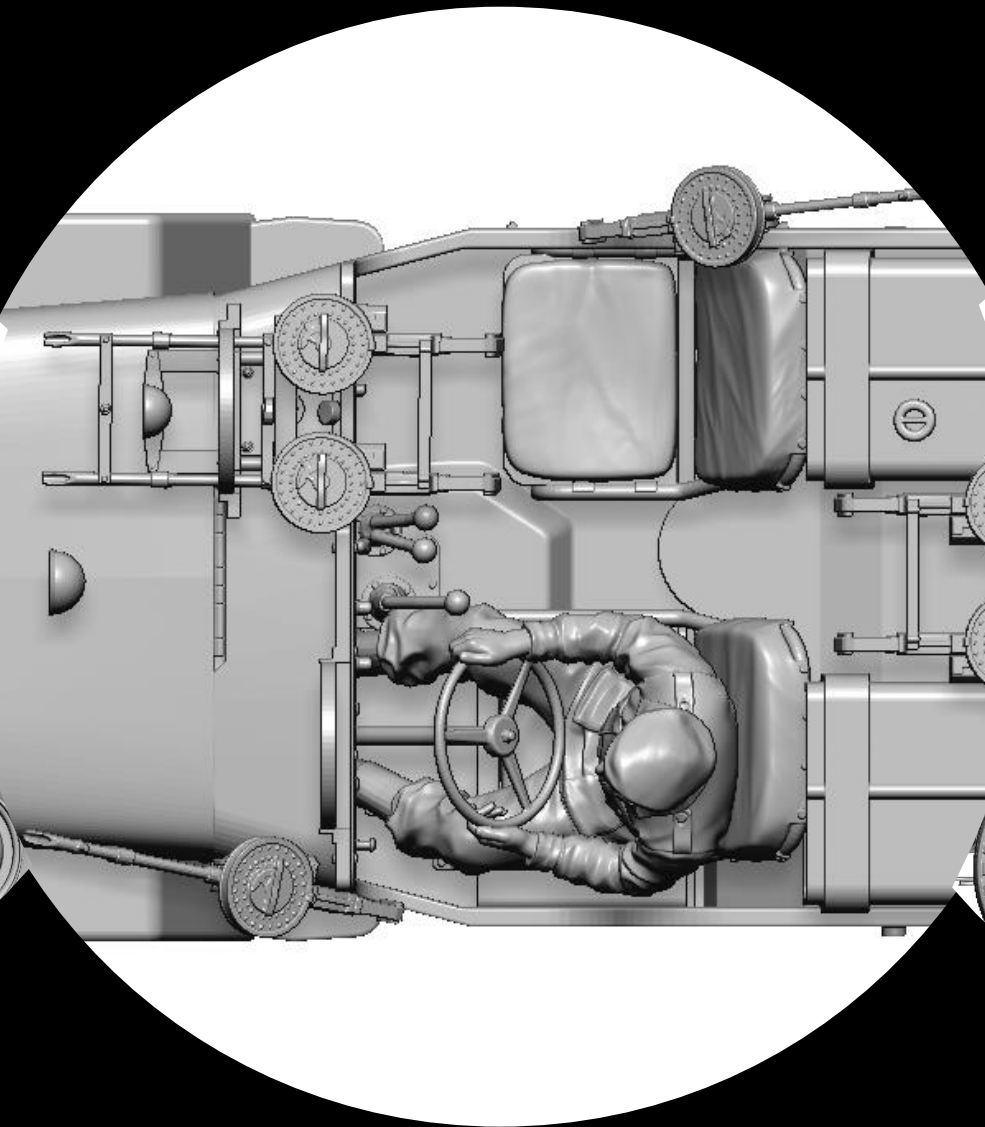
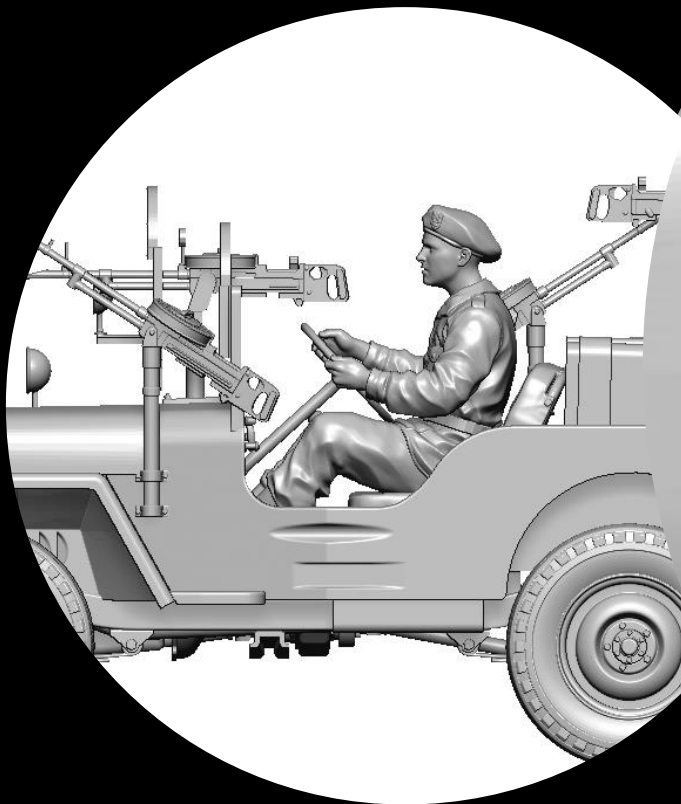
31



32











DOGFIGHT  
WORKSHOP

Thank you for choosing our product. With each subsequent one we make every effort to make our models better and better.

Happy Modelling

Dogfight Workshop Team

[www.dogfightworkshop.pl](http://www.dogfightworkshop.pl)

[office@dogfightworkshop.pl](mailto:office@dogfightworkshop.pl)